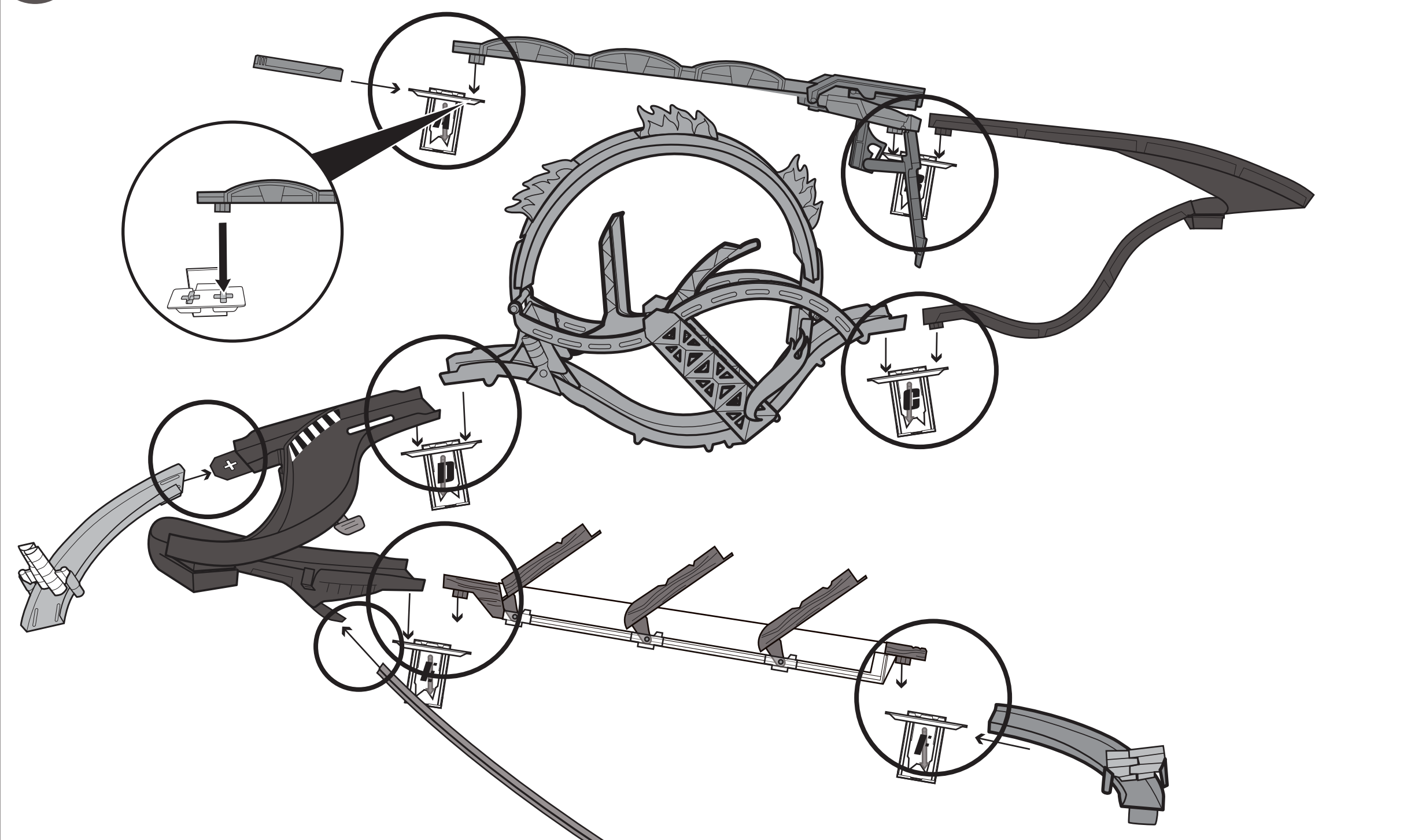
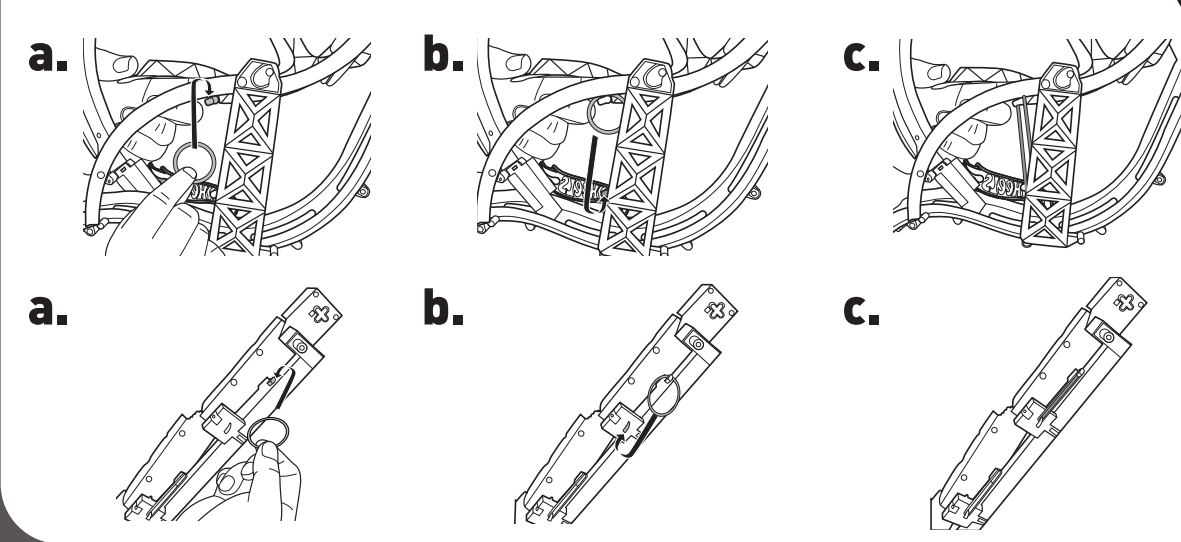


SEE OTHER SIDE FOR STEPS 1-5

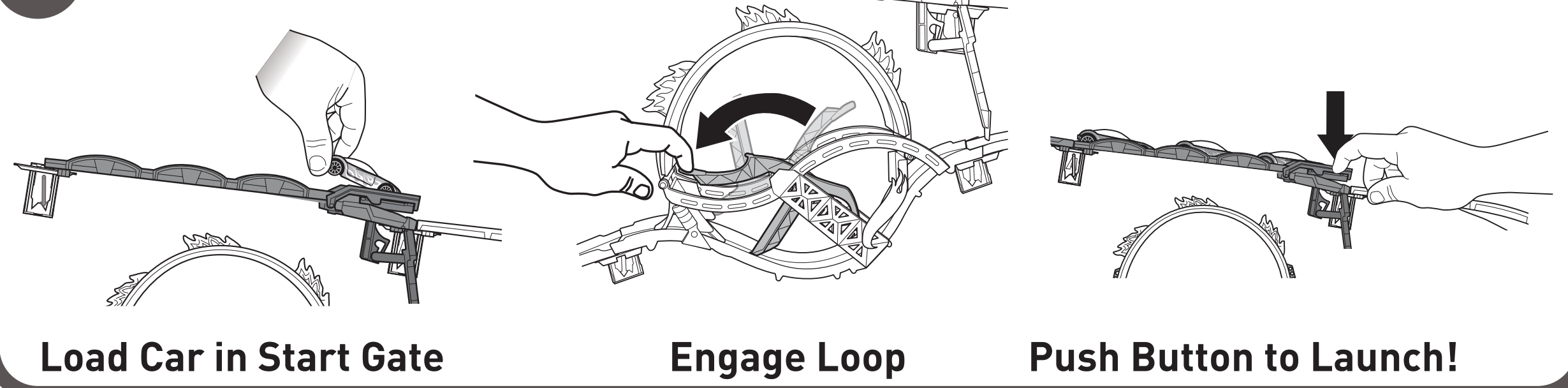
6 HANG TRACK ON WALL Once brackets are mounted and TEMPLATE IS REMOVED FROM WALL, attach track pieces as shown.



TO REPLACE RUBBER BAND:

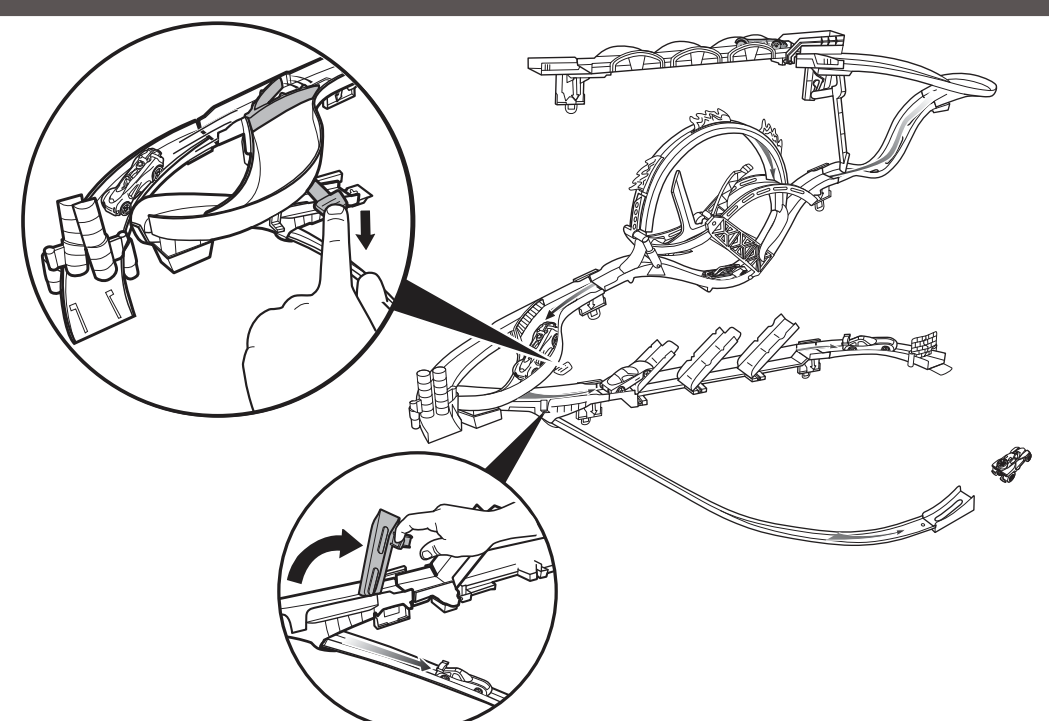


7 LET'S PLAY!

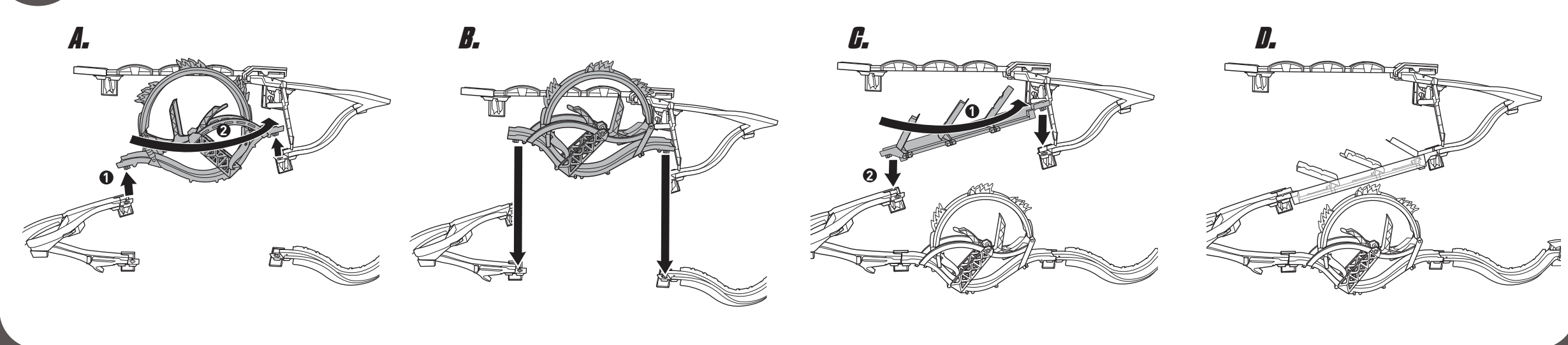


8 DIVERTERS & SWITCHES

Send your cars in different directions!



9 FURTHER PLAY Stunts and accessories can be interchanged!



10 REATTACHING & REMOVAL

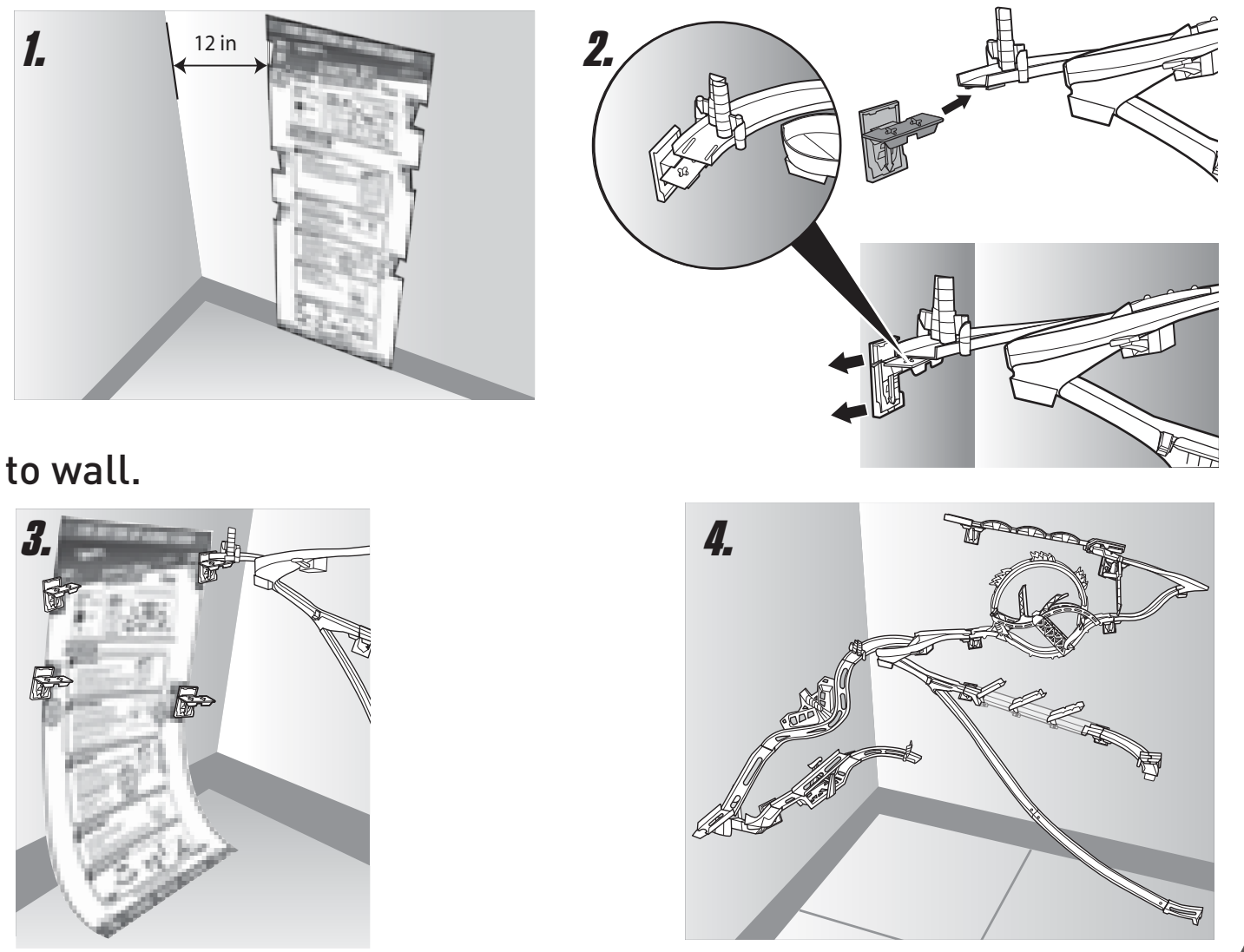
Mounting brackets are designed to break away from the set without causing surface damage. If mounting plate separates from bracket, snap bracket back into place. **Remove track pieces from wall prior to removing brackets.**

To remove brackets from the wall entirely:
 1. NEVER pull strip towards you.
 2. Hold bracket gently to prevent it from snapping fingers. DO NOT press against wall.
 3. Grab tab on Command® Strip and SLOWLY STRETCH STRAIGHT DOWN ALONG WALL AT LEAST 12 INCHES until bracket and strip release. Purchase medium Command® Refill Strips to reapply to your wall.

EXPANSION

To attach Wall Tracks™ Daredevil Curve™ or Downhill Flip Drop™ stunt sets (each sold separately) around a corner:

1. Hang Starter Set with left side of template 12-inches from corner.
2. Insert Stunt Set Bracket A at the end of the Starter Set left-hand curve and attach to wall.
3. Line up Notch A from Stunt Set template to newly placed Bracket A. Note: Stunt Set template needs to be square with wall. Bottom of template will extend past floor.
4. Continue with directions on Stunt Set template for hanging the Stunt Set.



FOR INSTRUCTIONAL VIDEOS AND MORE GO TO
WWW.HOTWHEELS.COM/WALLTRACKS



Command® Strips are a product of 3M. For further information visit www.command.com.
 NOTE: Apply strips to surfaces above 50°F (10°C). Adhesive could lose adhesion above 105°F (40°C).
 3M and Command are trademarks of 3M. © 3M 2013. All Rights Reserved.

©2013 Mattel. All Rights Reserved. Mattel, Inc., 636 Girard Avenue, East Aurora, NY 14052, U.S.A. Consumer Relations 1-800-524-8697. Mattel U.K. Ltd., Vanwall Business Park, Maidenhead SL6 4UB. Helpline 01628 500303. Mattel Australia Pty., Ltd., Richmond, Victoria, 3121. Consumer Advisory Service - 1300 135 312. Mattel East Asia Ltd., Room 503-09, North Tower, World Finance Centre, Harbour City, Tsimshatsui, HK, China. Dumport & Diedarkan Dieth: Mattel SEA Ptd Ltd. (893532-P) Lot 13.5, 13th Floor, Menara Lien Hoe, Persiaran Tropicana Golf Country Resort, 47410 PJ, Malaysia. Tel: 03-76803817, Fax: 03-76803867.

LINE BOTTOM UP ALONG FLOOR



START HERE!

Please read all instructions before beginning assembly and set-up.

1 HANG TEMPLATE

Line template up with floor and tape to wall. It should lay flat against the wall.

NOTE TO PARENTS: Before applying Command® Strips make sure the wall surface is clean and dry. If cleaning is necessary 3M recommends using isopropyl rubbing alcohol. Do not use household cleaners.



2 PREPARE BRACKETS

There are 6 yellow brackets [Marked A - F] and 7 Command® Strips (one extra strip). Separate strips. Remove red-printed liner from Command® Strips and apply to back of brackets as shown. Make sure the strip tab is accessible for future removal.

Black Printing = On Wall

Red Printing = On Bracket

NOTE: Apply strips to surfaces above 50°F (10°C). Adhesive could lose adhesion above 105°F (40°C).
CAUTION: DO NOT use with wallpaper. May not adhere well to vinyl surfaces. DO NOT hang items over beds.

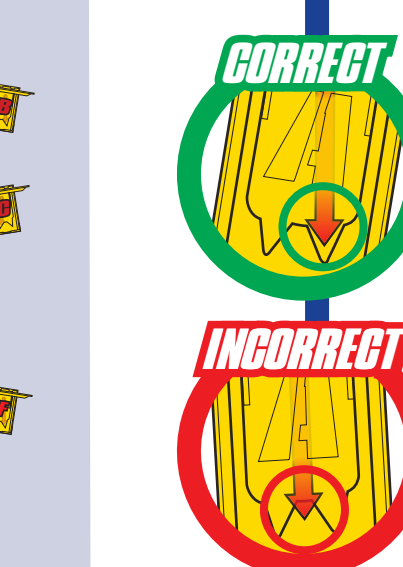
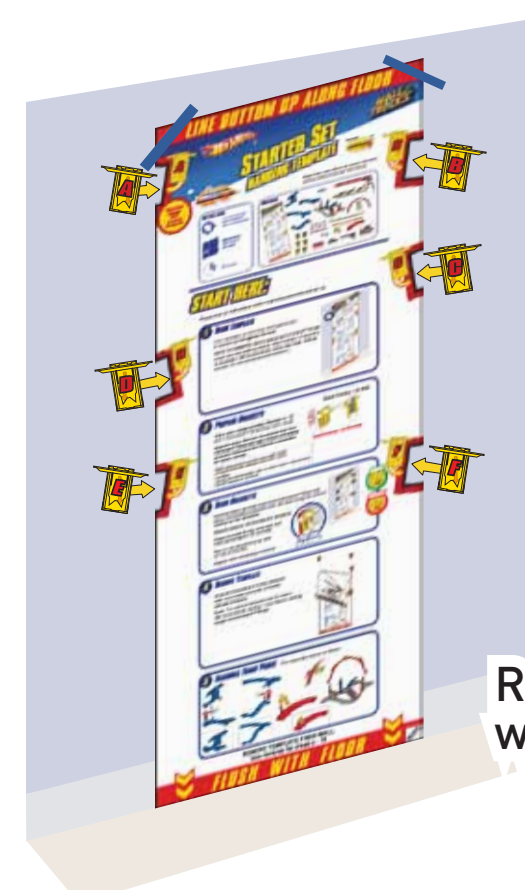
NOTE: DO NOT PULL BRACKET OFF WALL without reading removal instructions in step 10.

3 HANG BRACKETS

Remove black-printed liner from Command® Strips and attach each bracket into the designated notch of the template as shown.

Bracket should not overlap the template.

Press bracket firmly onto wall and hold, pressing for 30 seconds.



Red arrow should line up with arrow on bracket.

4 REMOVE TEMPLATE

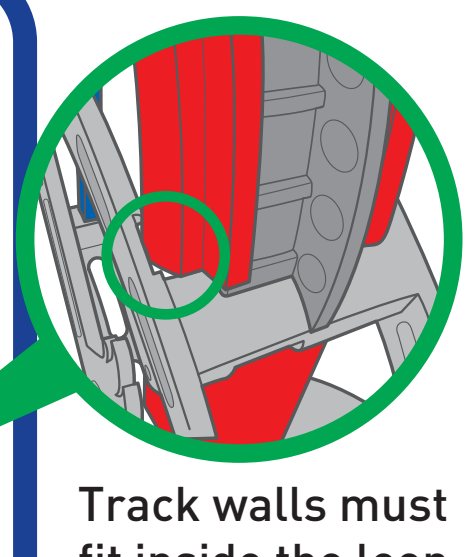
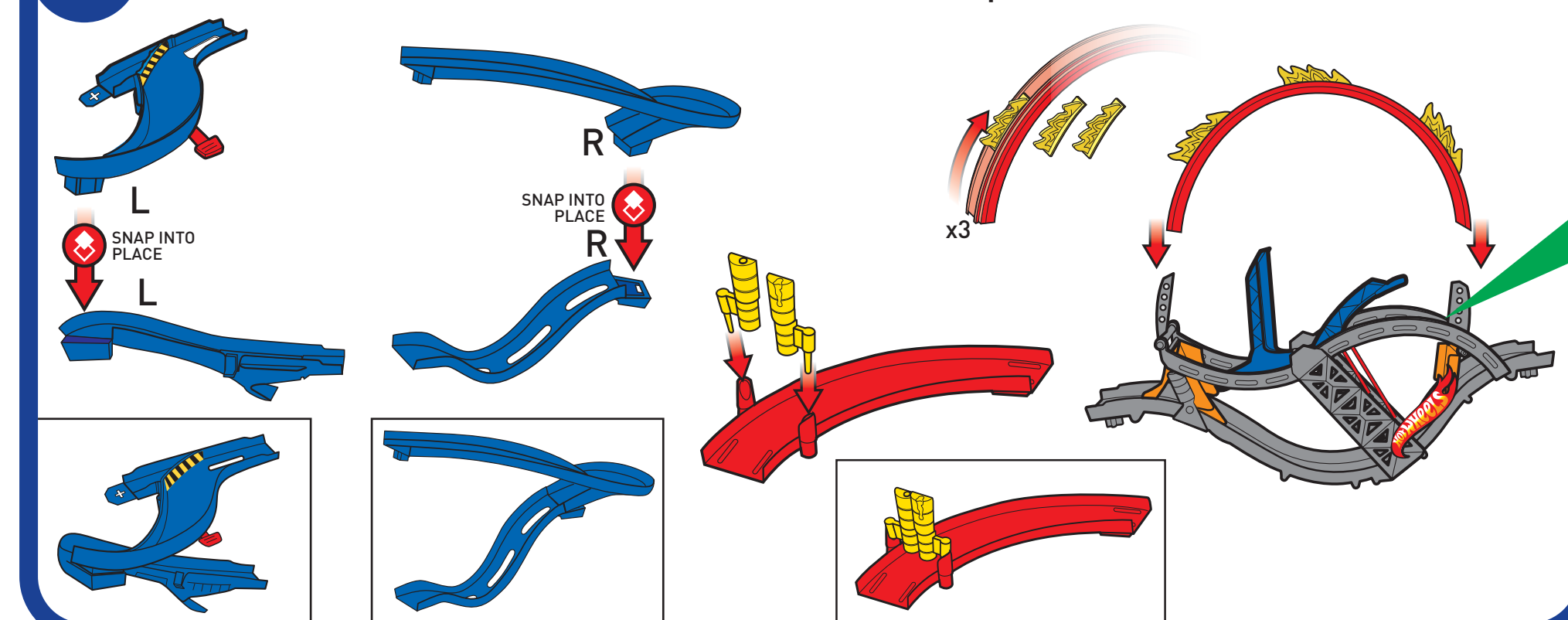
Once all brackets are firmly attached with red arrows correctly oriented, remove template.

Note: For optimal adhesion performance 3M recommends waiting 1 hour before adding weight to Command® Strips.



5 ASSEMBLE TRACK PIECES

Pre-assemble pieces as shown.



Track walls must fit inside the loop as shown.

REMOVE TEMPLATE FROM WALL
 See reverse for steps 6 - 10

FLUSH WITH FLOOR

SEE BACK