



YOU WILL NEED:

- Low-adhesive tape such as painter's tape or masking tape
- 20 minutes
- Approximately 4 feet by 3 feet (120cm x 90cm) of open wall space

Brackets should NOT overlap template

Keep these instructions for future reference as they contain important information.



START HERE!

Please read all instructions before beginning assembly and set-up.

1 HANG TEMPLATE

Lie template flat and level against wall and tape as shown. The top of the template should align with the height of the child.

NOTE TO PARENTS: Before applying Command® Strips make sure the wall surface is clean and dry. If cleaning is necessary 3M recommends using isopropyl rubbing alcohol. Do not use household cleaners.



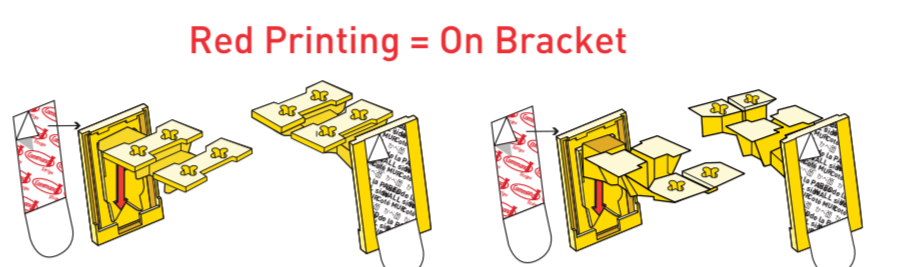
2 PREPARE BRACKETS

There are 3 yellow brackets [Marked A - C] and 4 Command® Strips (1 extra strip).

Separate strips. Remove red-printed liner from Command® Strips and apply to back of brackets as shown. Make sure the strip tab is accessible for future removal.

NOTE: Apply strips to surfaces above 50°F (10°C). Adhesive could lose adhesion above 105°F (40°C).

CAUTION: DO NOT use with wallpaper. May not adhere well to vinyl surfaces. DO NOT hang items over beds.



Black Printing = On Wall

NOTE: DO NOT PULL BRACKET OFF WALL without reading removal instructions in step 8.

3 HANG BRACKETS

Remove black-printed liner from Command® Strips and attach each bracket into the designated notch of the template as shown.

Bracket should not overlap the template.

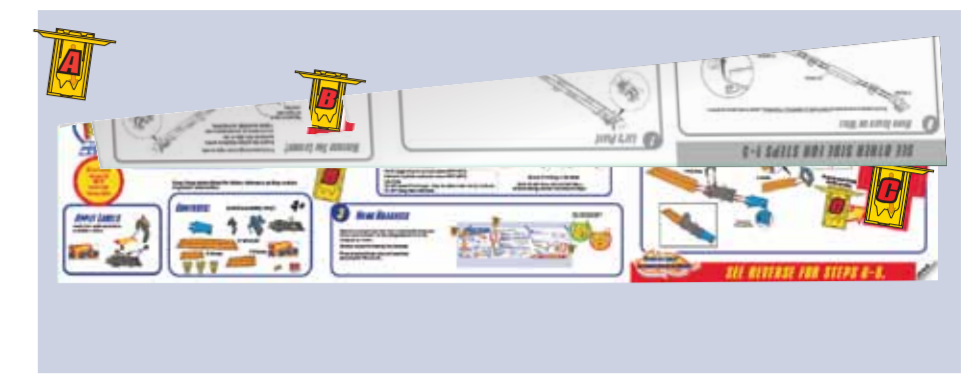
Press bracket firmly onto wall and hold, pressing for 30 seconds.



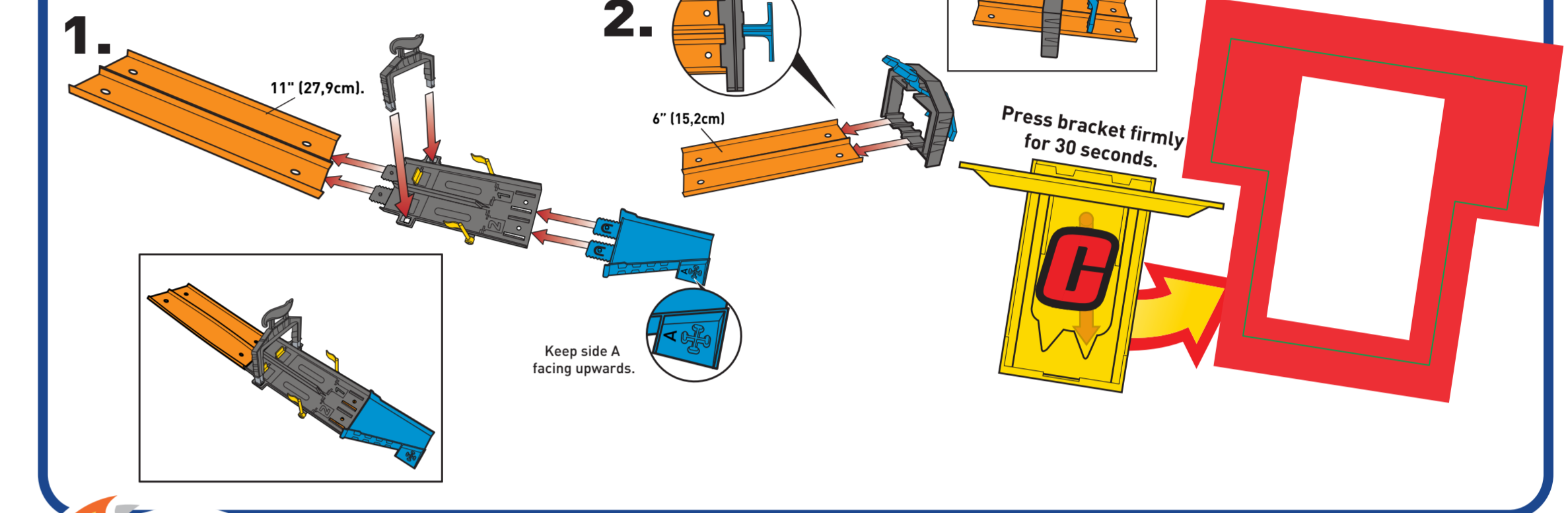
4 REMOVE TEMPLATE

Once all brackets are firmly attached with red arrows correctly oriented, remove template.

Note: For optimal adhesion performance 3M recommends waiting 1 hour before adding weight to Command® Strips.



5 ASSEMBLE TRACK PIECES



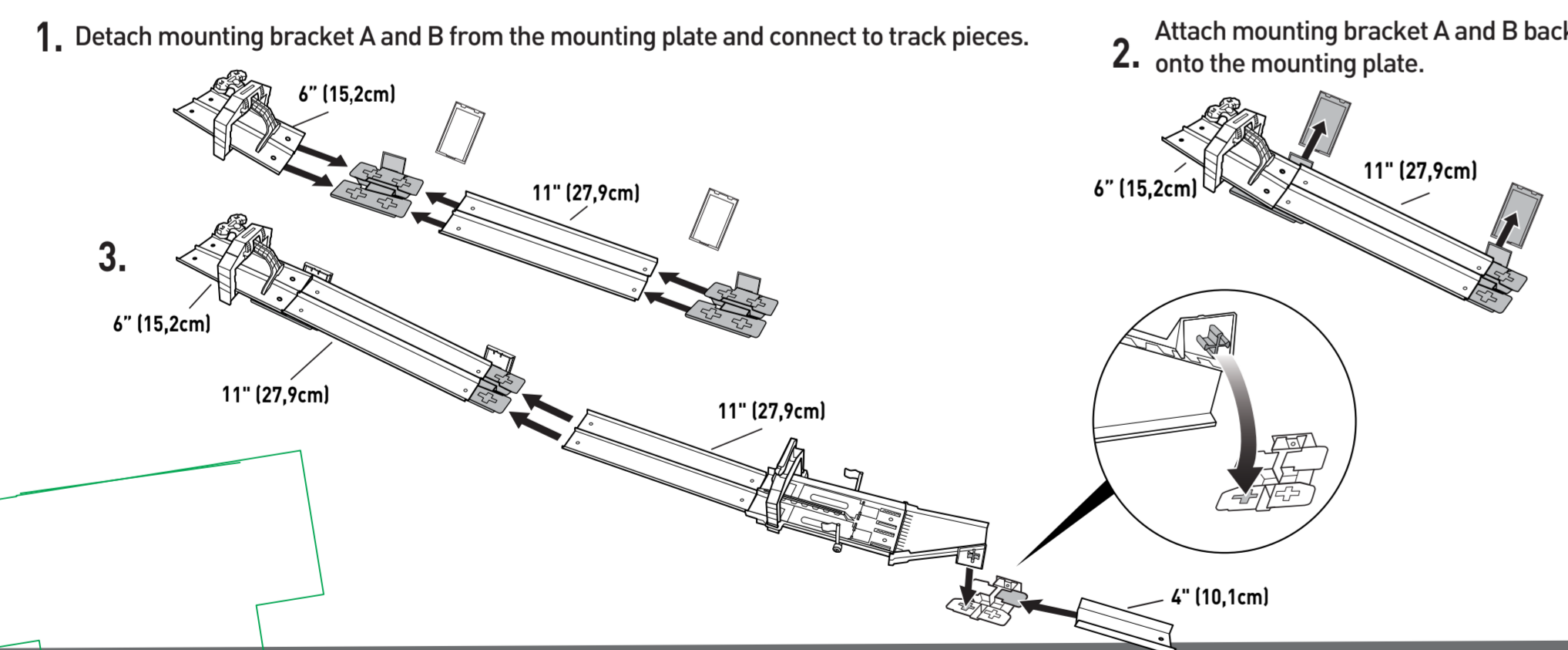
REVERSIBLE TRACK!
FLIP TEMPLATE OVER FOR INSTRUCTIONS.

SEE REVERSE FOR STEPS 6-8.

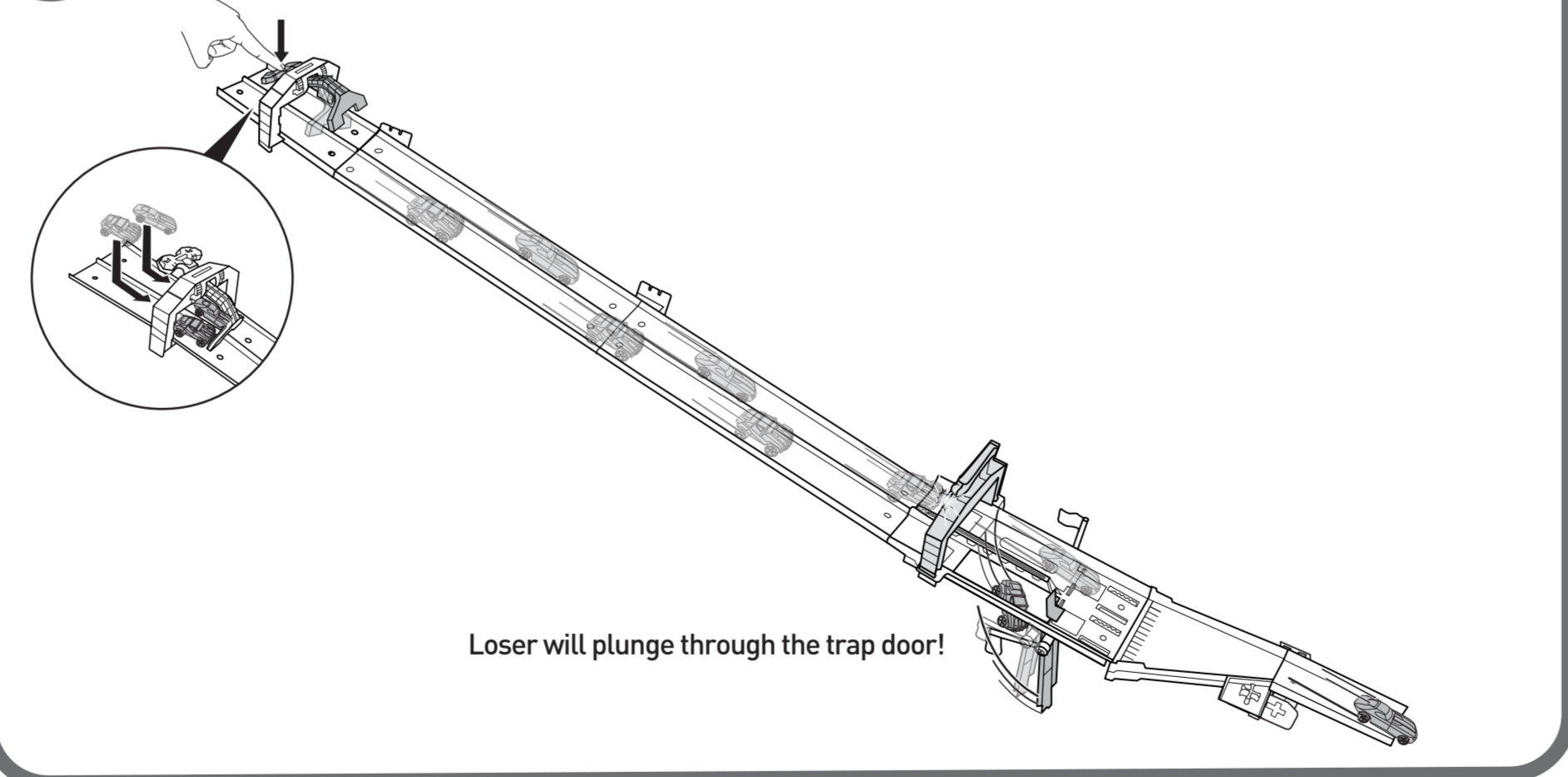
SEE OTHER SIDE FOR STEPS 1-5

6 HANG TRACK ON WALL

Once brackets are mounted and TEMPLATE IS REMOVED FROM WALL, attach track pieces as shown.

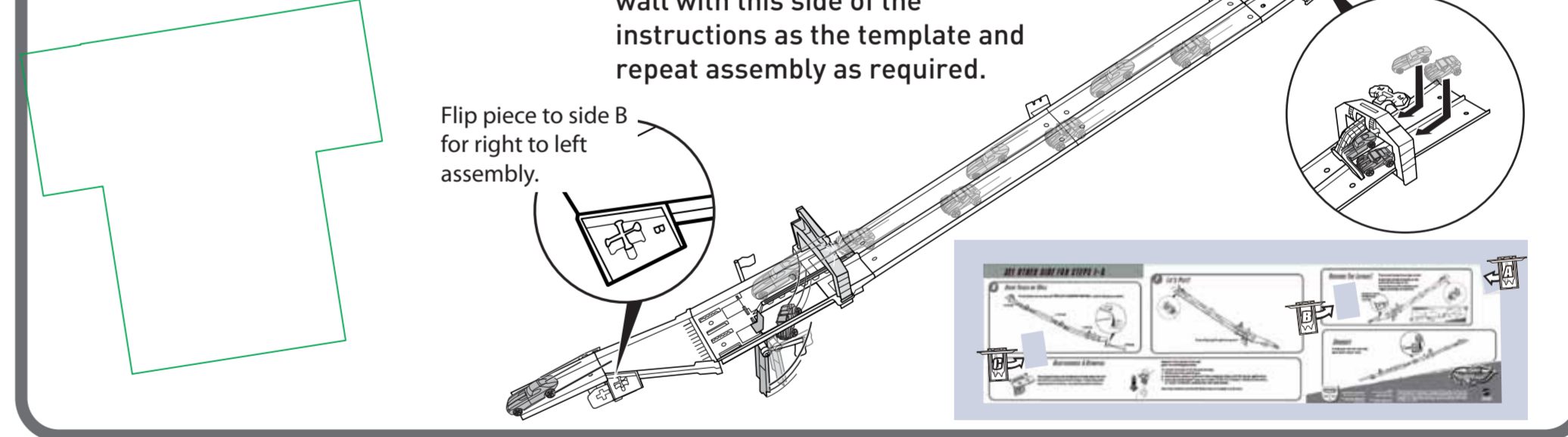


7 LET'S PLAY!



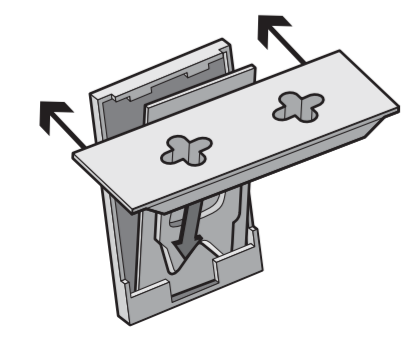
REVERSE THE LAYOUT!

Track also hangs from right to left. Attach the yellow brackets to the wall with this side of the instructions as the template and repeat assembly as required.



8 REATTACHING & REMOVAL

Mounting brackets are designed to break away from the set without causing surface damage. If mounting plate separates from bracket, snap bracket back into place.



Remove track pieces from wall prior to removing brackets.

To remove brackets from the wall entirely:

1. NEVER pull strip towards you.
2. Hold bracket gently to prevent it from snapping fingers. DO NOT press against wall.
3. Grab tab on Command® Strip and SLOWLY STRETCH STRAIGHT DOWN ALONG WALL AT LEAST 12 INCHES until bracket and strip release.

Purchase medium Command® Refill Strips to reapply to your wall.

CONNECT

Create your own set-ups with other Wall Tracks® sets.

