

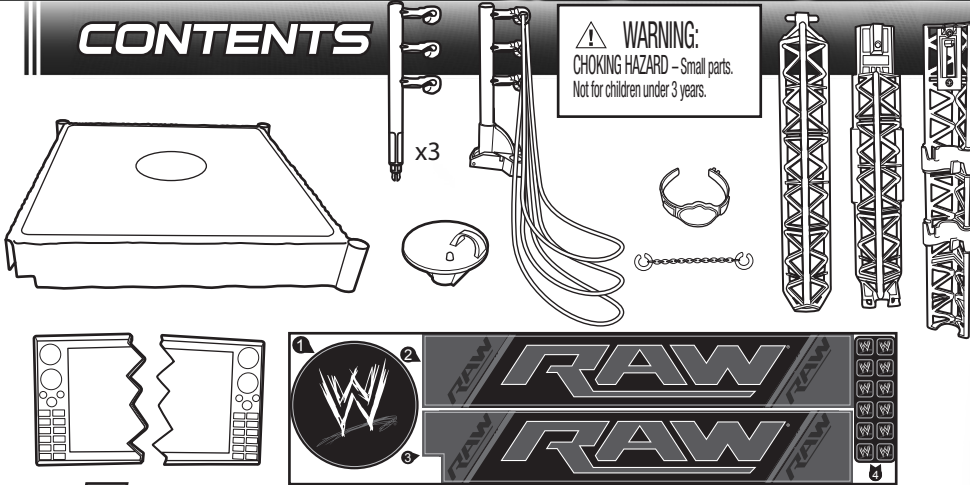


6+

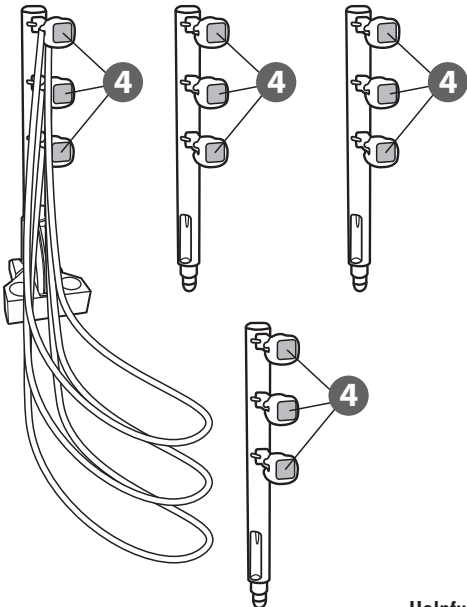
TURNBUCKLE TAKEDOWN™ RING INSTRUCTIONS

Please keep these instructions for future reference as they contain important information.

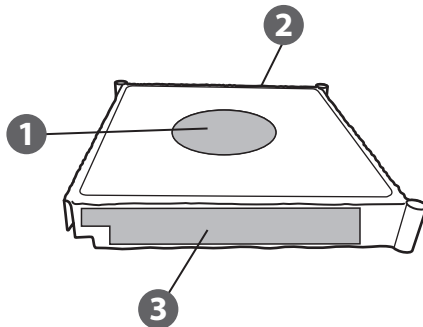
CONTENTS



1. APPLY LABELS

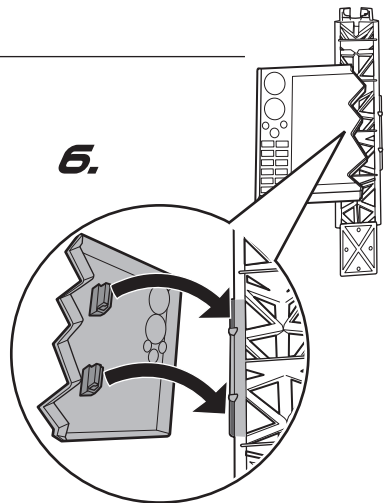
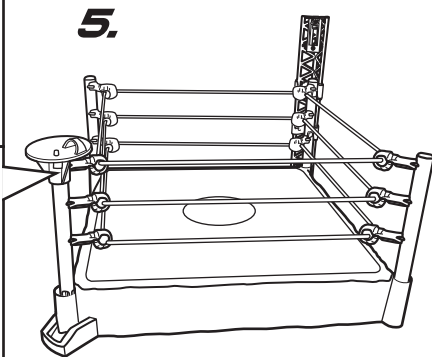
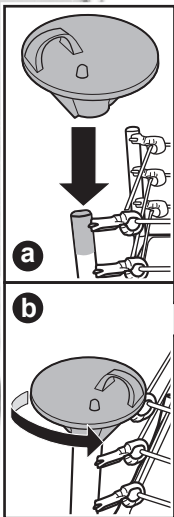
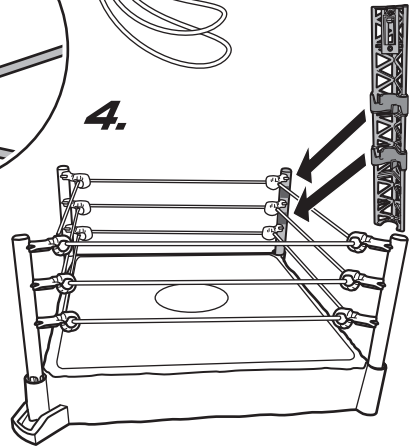
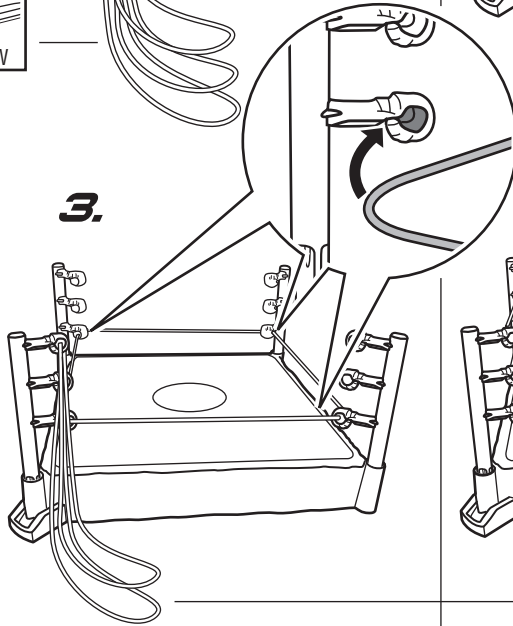
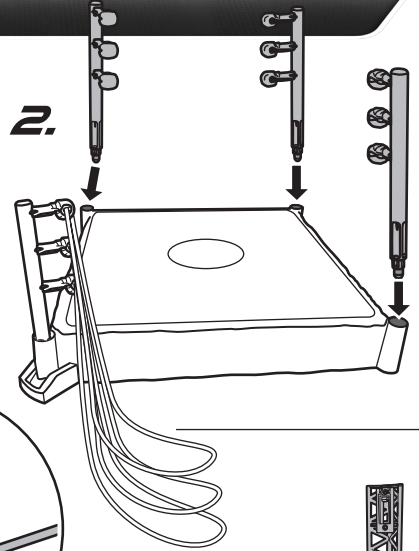
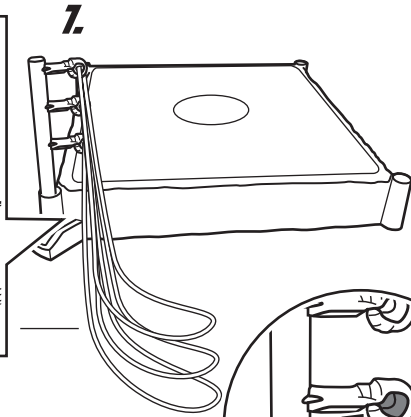
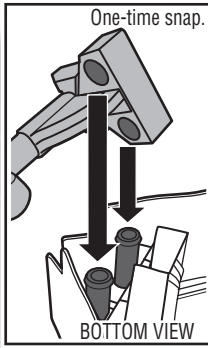


All WWE programming, talent names, images, likenesses, slogans, wrestling moves, trademarks, logos and copyrights are the exclusive property of WWE and its subsidiaries. All other trademarks, logos and copyrights are the property of their respective owners. © 2013 WWE. All Rights Reserved.

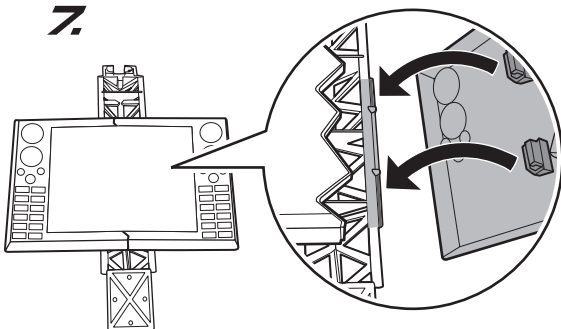


Helpful Hint: Apply labels before assembly by numbers as indicated.

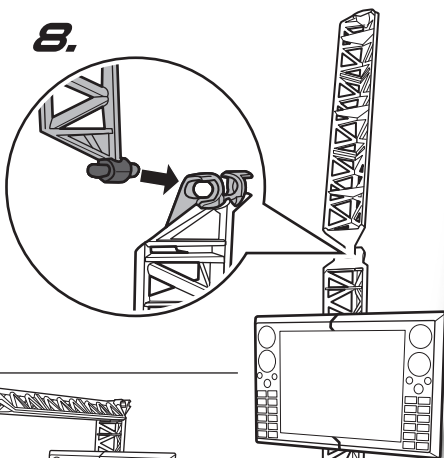
2. ASSEMBLY



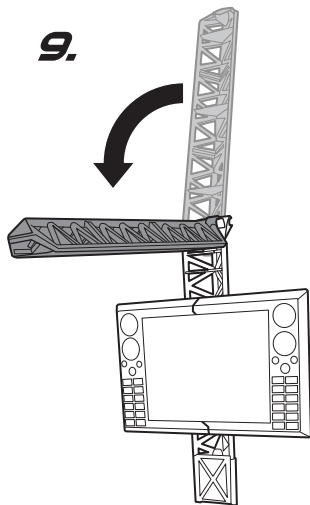
7.



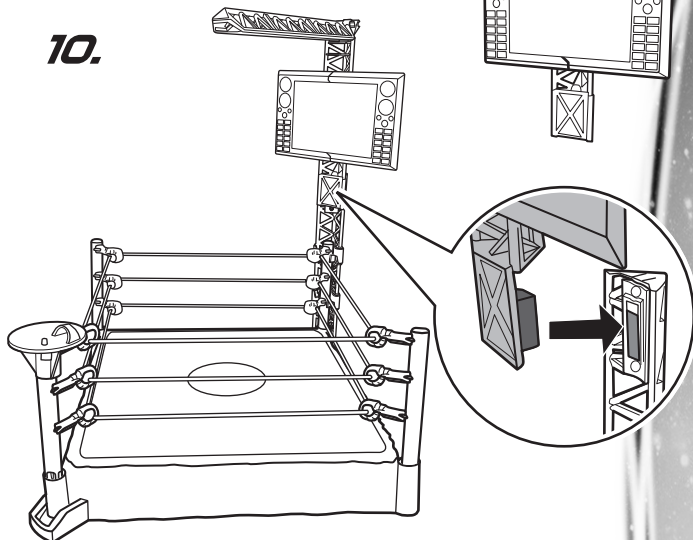
8.



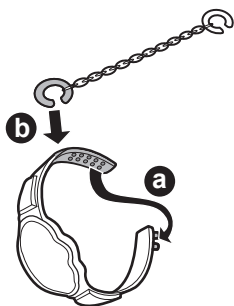
9.



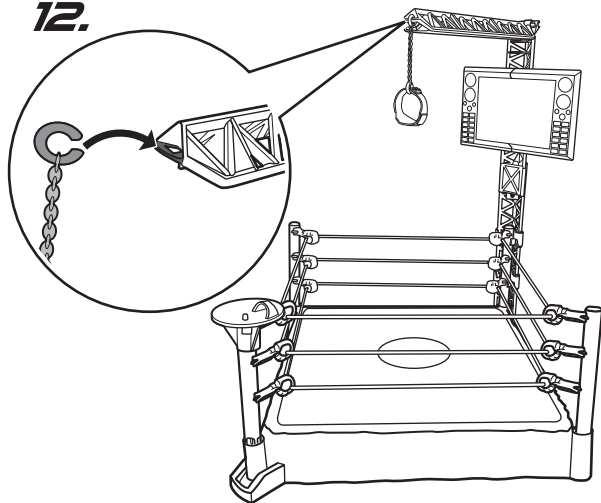
10.



11.



12.



3. TO PLAY

1. Attach figure to platform.

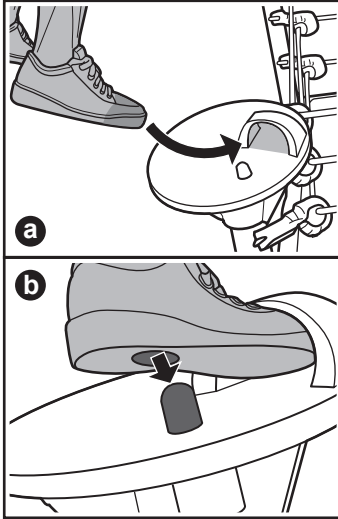
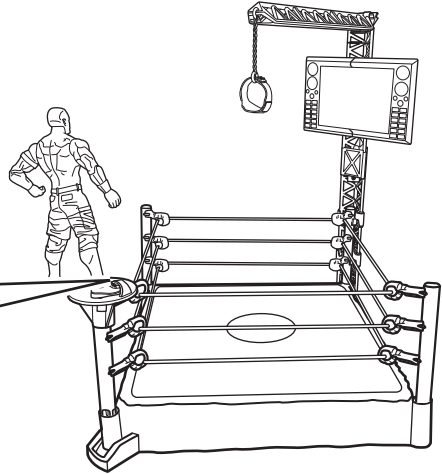
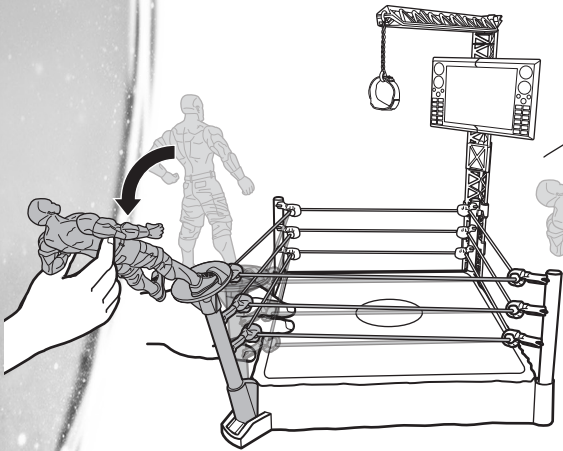


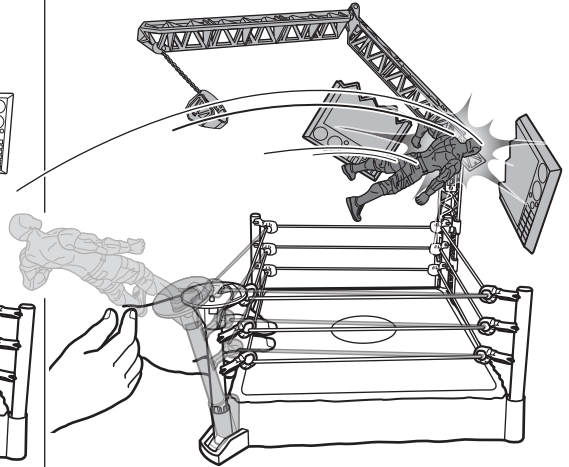
FIGURE NOT INCLUDED, SOLD SEPARATELY,
SUBJECT TO AVAILABILITY.



2. Pull figure back.



3. Release hand to launch figure. Launch repeatedly until you break the titantron!



**Warning: Do not aim at eyes or face.
Only use projectiles supplied with this toy.
Do not fire at point blank range.**

©2013 Mattel. All Rights Reserved.

Mattel, Inc. 636 Girard Avenue, East Aurora, NY 14052, U.S.A. Consumer Relations 1-800-524-8697. Mattel Canada Inc., Mississauga, Ontario L5R 3W2. You may call us free at 1-800-524-8697. Mattel U.K. Ltd., Vanwall Business Park, Maidenhead SL6 4UB. Helpline 01628 500303. Mattel Australia Pty., Ltd., Richmond, Victoria. 3121. Consumer Advisory Service - 1300 135 312 Mattel East Asia Ltd., Room 1106, South Tower, World Finance Centre, Harbour City, Tsimshatsui, HK, China. Diimport & Diedarkan Oleh: Mattel SEA Ptd Ltd.(993532-P) Lot 13.5, 13th Floor, Menara Lien Hoe, Persiaran Tropicana Golf Country Resort, 47410 PJ. Tel:03-78803817, Fax:03-78803867.

service.mattel.com

BUN10-0920

