

Fisher-Price®

**W9740
BMG86**



Sit

Ride



Walk

Please keep this instruction sheet for future reference, as it contains important information.

For ages 9 – 36 months and up to 44 lbs (20 kg).

Adult supervision is required.

Never use near steps.

Choose areas for riding that are free of obstacles.

Learn to stop safely.

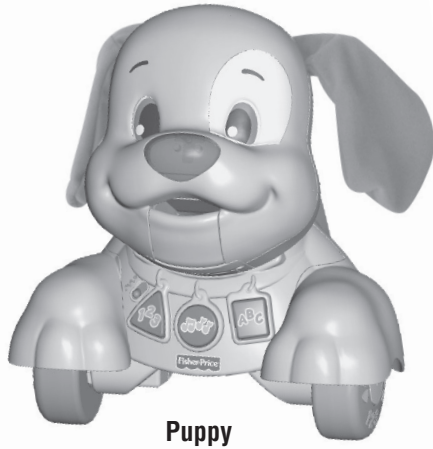
Use with caution as this product requires skill to operate safely to avoid falls, collisions, and injuries to yourself (the rider) and others.

Requires three AA batteries (included) for operation. Batteries included are for demonstration purposes only.

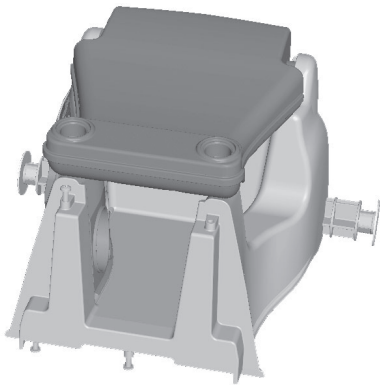
Adult assembly is required. Tool required for assembly: Phillips screwdriver (not included).

fisher-price.com

Assembled Parts



Puppy



Frame



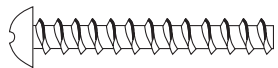
2 Hubs



Handle



2 Rear Wheels



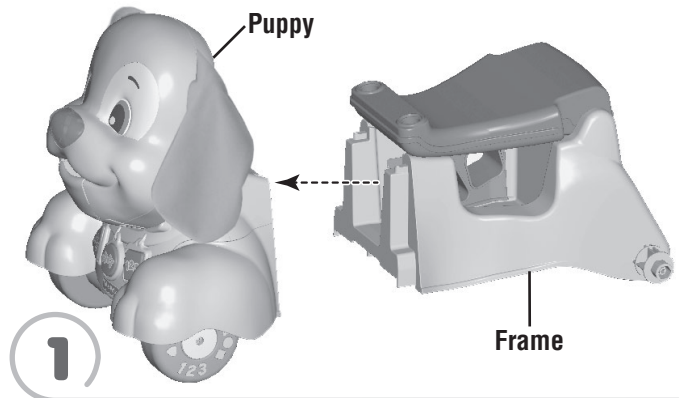
#8 x 1¼" (3,18 cm) Screws – 7
Shown Actual Size

Note: Tighten and loosen all screws with a Phillips screwdriver. Do not over-tighten screws.

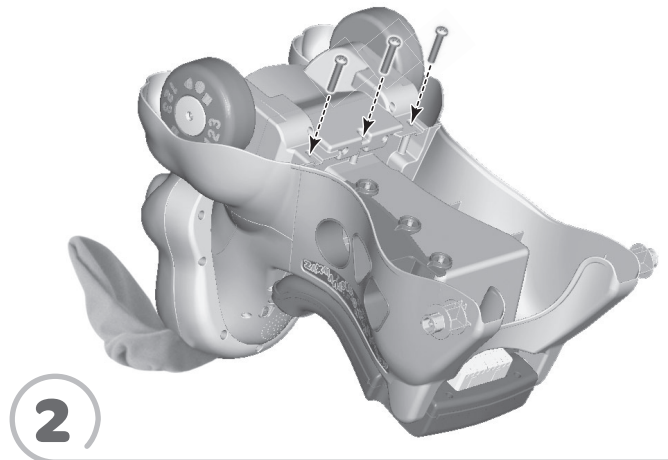
Assembly

 **CAUTION**

This package contains small parts.
For adult assembly only.

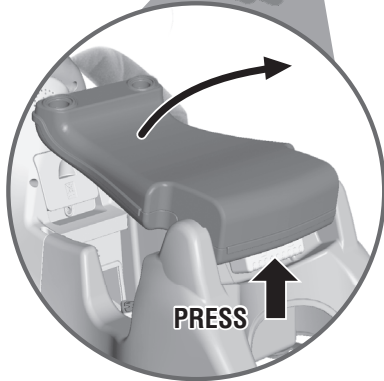
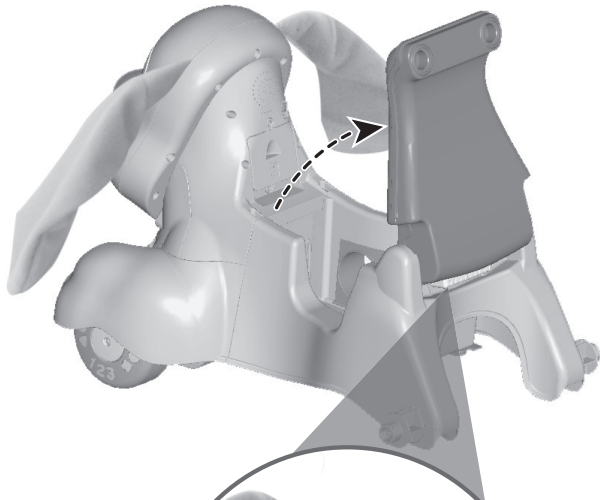


- Fit the frame to the puppy.



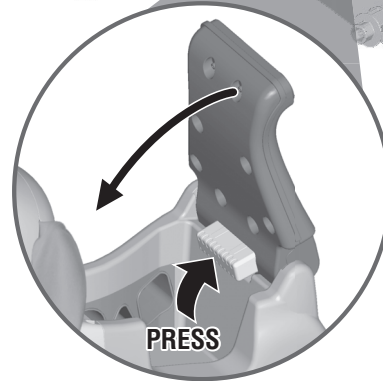
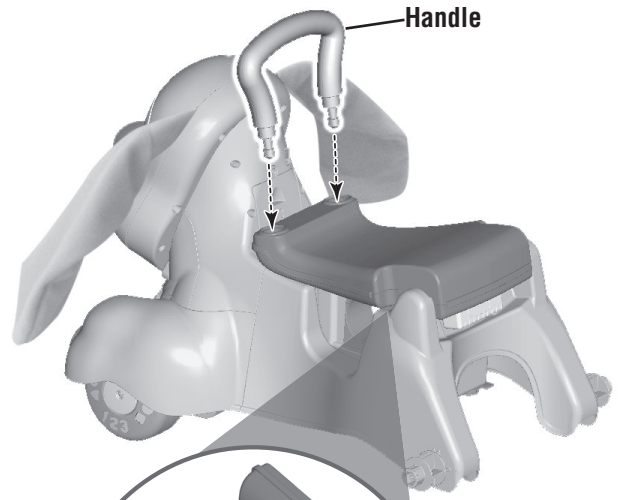
- While holding the puppy in place, carefully turn the assembly over.
- Insert three screws into the frame and tighten.

Assembly



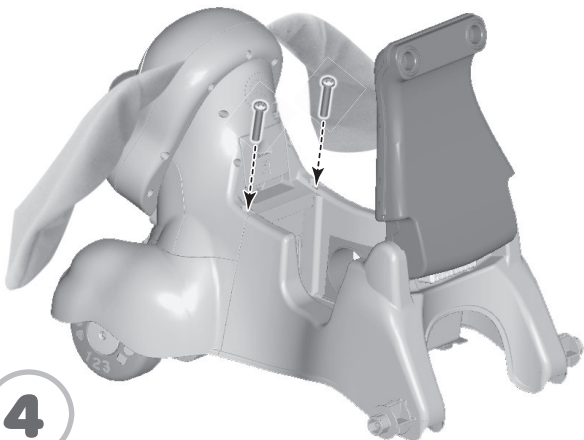
3

- Carefully turn the assembly upright.
- Press the bar under the back of the seat and lift the seat.



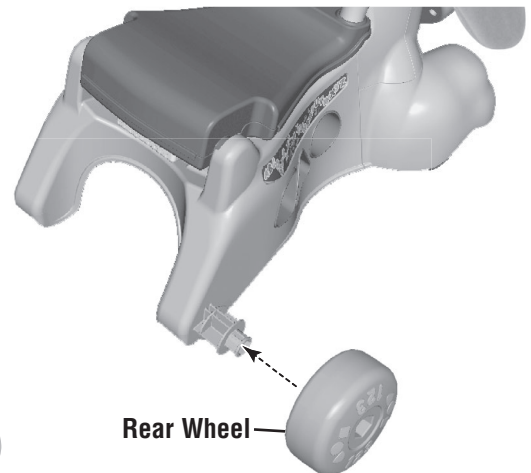
5

- Press the bar on the bottom of the seat and lower the seat.
- Insert and "snap" the handle into the sockets in the seat.



4

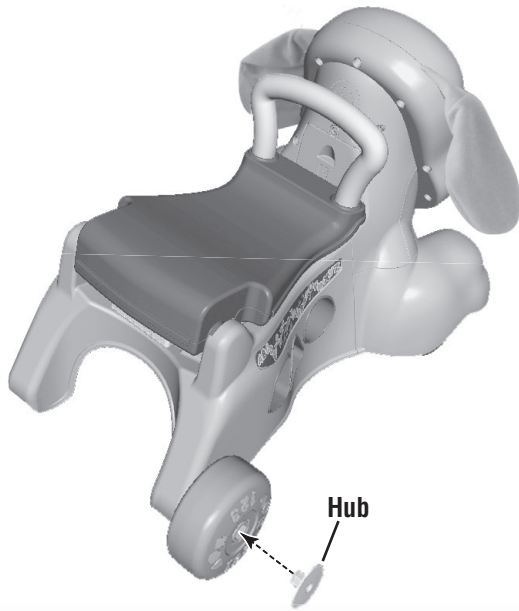
- Insert two screws into the top of the frame and tighten.



6

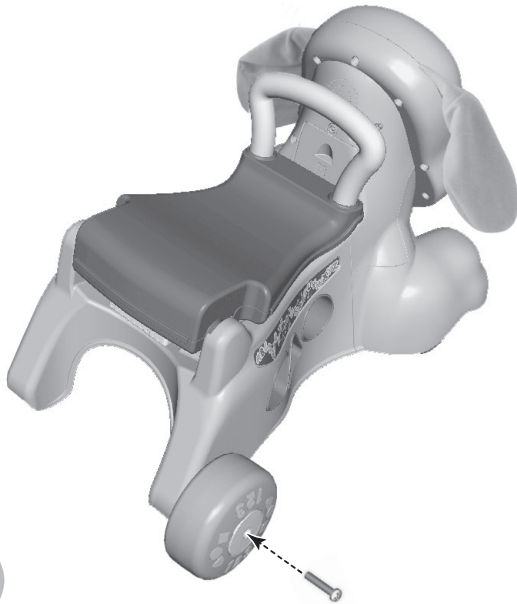
- Fit a rear wheel onto the peg on one of the back legs.

Assembly



7

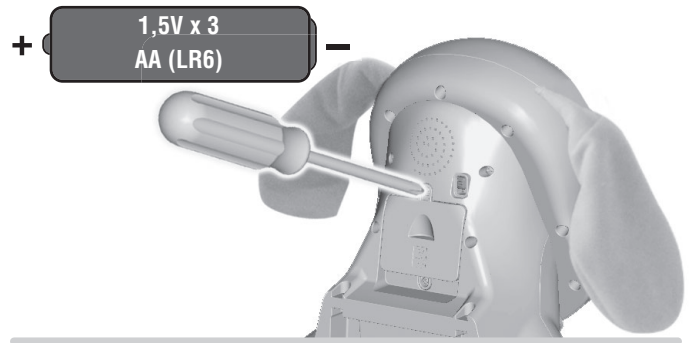
- Fit a hub into the center of the rear wheel.




8

- Insert a screw into the center of the hub and tighten.
- Repeat this procedure to assemble the other rear wheel, hub and remaining screw.

Battery Replacement



- For longer life, use **alkaline** batteries.
- Locate the battery compartment on the back of the puppy's head.
- Lift the seat to access the battery compartment.
- Loosen the screws in the battery compartment door with a Phillips screwdriver. Remove the battery compartment door.
- Insert three AA (LR6) **alkaline** batteries.
- Replace the battery compartment door and tighten the screws.
- If this product begins to operate erratically, you may need to reset the electronics. Slide the power/volume switch off and then back on.
- When sounds or lights become faint or stop, it's time for an adult to change the batteries.
-  Protect the environment by not disposing of this product with household waste (2002/96/EC). Check your local authority for recycling advice and facilities.

Battery Safety Information

In exceptional circumstances, batteries may leak fluids that can cause a chemical burn injury or ruin your toy. To avoid battery leakage:

- Do not mix old and new batteries or batteries of different types: alkaline, standard (carbon-zinc) or rechargeable (nickel-cadmium).
- Insert batteries as indicated inside the battery compartment.
- Remove batteries during long periods of non-use. Always remove exhausted batteries from the toy. Dispose of batteries safely. Do not dispose of the product in a fire. The batteries inside may explode or leak.
- Never short-circuit the battery terminals.
- Use only batteries of the same or equivalent type, as recommended.
- Do not charge non-rechargeable batteries.
- Remove rechargeable batteries from the toy before charging.
- If removable, rechargeable batteries are used, they are only to be charged under adult supervision.

Rewarding Music & Lights!



Walker



Ride-On

Convert to Walker

- Press the bar under the back of the seat and lift it until it "snaps" in place as a handle.
- Push the handle to be sure it is secure.

Convert to Rider

- Press the bar on the bottom of the handle and lower it as a seat.

- Slide the **power/mode switch** to: Learning **ABC**, Music 🎵 or Imagination 🌀 mode.
- **ABC Learning** - Press the shape buttons to learn shapes and colors or hear a song. Press the puppy's nose or open and close puppy's mouth to hear phrases. Listen to songs when you roll the puppy!
- **🎵 Music** - Press the shape buttons to hear fun sounds. Press puppy's nose, open puppy's mouth or roll the puppy to hear fun songs!
- **🌀 Imagination** - Press the shape buttons, press puppy's nose, open puppy's mouth or roll the puppy for sounds and phrases!
- Slide the **volume switch** to low 🔊 or high 🔊 volume.
- When you are finished playing with this toy, slide the **power/mode switch** OFF ⏻.

Consumer Information



CONSUMER ASSISTANCE

1-800-432-5437 (US & Canada)
1300 135 312 (Australia)

service.fisher-price.com

Fisher-Price, Inc., 636 Girard Avenue, East Aurora, NY 14052.
Hearing-impaired consumers: 1-800-382-7470.

Outside the United States:

Canada: Mattel Canada Inc., 6155 Freemont Blvd.,
Mississauga, Ontario L5R 3W2; www.service.mattel.com.

Great Britain: Mattel UK Ltd, Vanwall Business Park,
Maidenhead SL6 4UB. Helpline: 01628 500303.
www.service.mattel.com/uk

Mattel Europa B.V., Gondel 1, 1186 MJ Amstelveen, Nederland.

Australia: Mattel Australia Pty. Ltd., 658 Church Street,
Locked Bag #870, Richmond, Victoria 3121 Australia.

New Zealand: 16-18 William Pickering Drive,
Albany 1331, Auckland.

Care

- Wipe with a clean cloth dampened with a mild soap and water solution. Do not immerse.
- Periodically inspect this product for wear or damage. Check all nuts and bolts, and tighten as needed. Replace worn or broken parts immediately.

FCC Statement (United States Only)

This equipment has been tested and found to comply with the limits for a Class B digital device, pursuant to Part 15 of the FCC Rules. These limits are designed to provide reasonable protection against harmful interference in a residential installation. This equipment generates, uses and can radiate radio frequency energy and, if not installed and used in accordance with the instructions, may cause harmful interference to radio communications. However, there is no guarantee that interference will not occur in a particular installation. If this equipment does cause harmful interference to radio or television reception, which can be determined by turning the equipment off and on, the user is encouraged to try to correct the interference by one or more of the following measures:

- Reorient or relocate the receiving antenna.
- Increase the separation between the equipment and receiver.
- Consult the dealer or an experienced radio/TV technician for help.

Note: Changes or modifications not expressly approved by the manufacturer responsible for compliance could void the user's authority to operate the equipment. This device complies with Part 15 of the FCC Rules.

Operation is subject to the following two conditions: (1) This device may not cause harmful interference and (2) this device must accept any interference received, including interference that may cause undesired operation.

ICES-003

This Class B digital apparatus complies with Canadian ICES-003. Operation is subject to the following two conditions: (1) this device may not cause harmful interference and (2) this device must accept any interference received, including interference that may cause undesired operation.

NMB-003

Cet appareil numérique de la classe B est conforme à la norme NMB-003 du Canada. L'utilisation de ce dispositif est autorisée seulement aux conditions suivantes : (1) il ne doit pas produire de brouillage et (2) l'utilisateur du dispositif doit être prêt à accepter tout brouillage radioélectrique reçu, même si ce brouillage est susceptible de compromettre le fonctionnement du dispositif.