



2 Tummy Time



1 Lay & Play

Please keep this instruction sheet for future reference,
as it contains important information.

Requires three button cell (LR44) **alkaline** batteries (included) for operation.

Adult assembly is required.

Tool required for battery replacement: Phillips screwdriver (not included).

Consumer Information



CONSUMER ASSISTANCE

1-800-432-5437 (US & Canada)
1300 135 312 (Australia)

www.service.fisher-price.com

Fisher-Price, Inc., 636 Girard Avenue, East Aurora, NY 14052.
Hearing-impaired consumers: 1-800-382-7470.

Outside the United States:

Canada: Mattel Canada Inc., 6155 Freemont Blvd.,
Mississauga, Ontario L5R 3W2; www.service.mattel.com.

Great Britain: Mattel UK Ltd, Vanwall Business Park,
Maidenhead SL6 4UB. Helpline: 01628 500303.
www.service.mattel.com/uk

Mattel Europa B.V., Gondel 1, 1186 MJ Amstelveen, Nederland.

Australia: Mattel Australia Pty. Ltd., 658 Church Street,
Locked Bag #870, Richmond, Victoria 3121 Australia.

New Zealand: 16-18 William Pickering Drive,
Auckland 1331, Auckland.

FCC Statement (United States Only)

This equipment has been tested and found to comply with the limits for a Class B digital device, pursuant to Part 15 of the FCC Rules. These limits are designed to provide reasonable protection against harmful interference in a residential installation. This equipment generates, uses and can radiate radio frequency energy and, if not installed and used in accordance with the instructions, may cause harmful interference to radio communications. However, there is no guarantee that interference will not occur in a particular installation. If this equipment does cause harmful interference to radio or television reception, which can be determined by turning the equipment off and on, the user is encouraged to try to correct the interference by one or more of the following measures:

- Reorient or relocate the receiving antenna.
- Increase the separation between the equipment and receiver.
- Consult the dealer or an experienced radio/TV technician for help.

Note: Changes or modifications not expressly approved by the manufacturer responsible for compliance could void the user's authority to operate the equipment.

This device complies with Part 15 of the FCC Rules. Operation is subject to the following two conditions: (1) This device may not cause harmful interference and (2) this device must accept any interference received, including interference that may cause undesired operation.

ICES-003

This Class B digital apparatus complies with Canadian ICES-003. Operation is subject to the following two conditions: (1) this device may not cause harmful interference and (2) this device must accept any interference received, including interference that may cause undesired operation.

NMB-003

Cet appareil numérique de la classe B est conforme à la norme NMB-003 du Canada. L'utilisation de ce dispositif est autorisée seulement aux conditions suivantes :

- (1) il ne doit pas produire de brouillage et
- (2) l'utilisateur du dispositif doit être prêt à accepter tout brouillage radioélectrique reçu, même si ce brouillage est susceptible de compromettre le fonctionnement du dispositif.

Assembled Parts



6 Link Toys



Musical Mirror



Short Arch

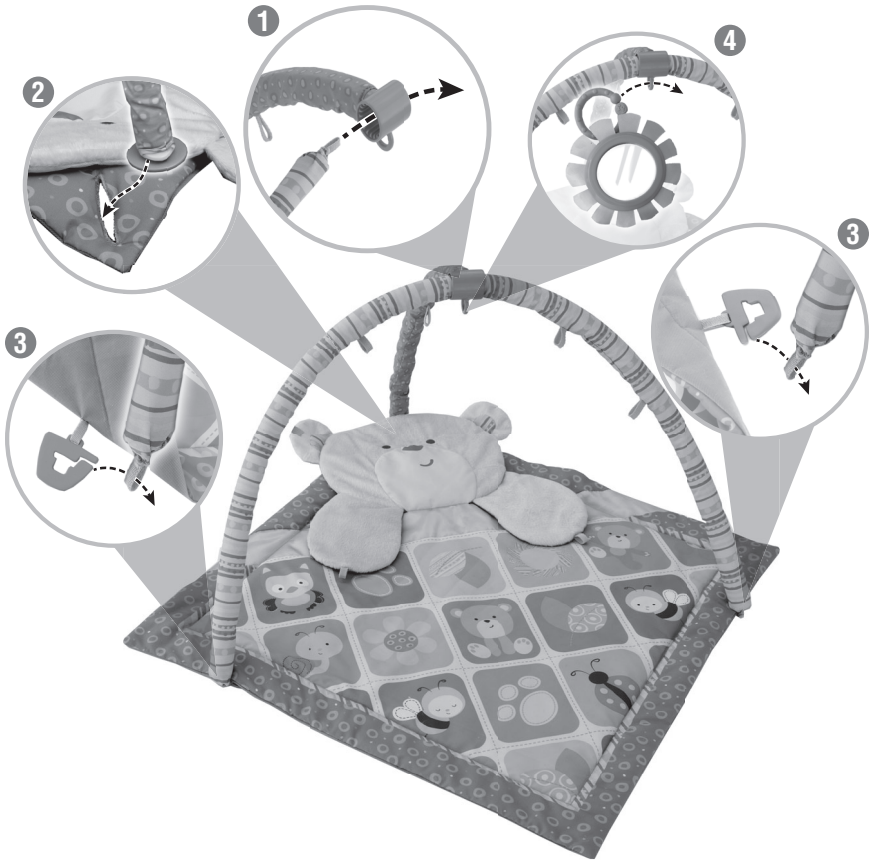


Mat



Long Arch

Assembly & Setup



- 1 Slide the long arch through the retainer on the short arch.
- 2 Insert the end of the short arch through the slot in the mat.
- 3 Fit the clips under the mat onto the loops on the ends of the long arch.

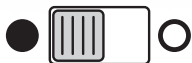
- 4 Hang the musical mirror from the loop on the short arch. Hang the remaining toys on the loops around the gym.



Disassembly for Storage and Care
Remove the ends of the long arch from the clips under the mat. Remove the end of the short arch from the slot in the mat. Remove the long arch from the short arch.

Lay & Play or Tummy Time Fun!

WARNING

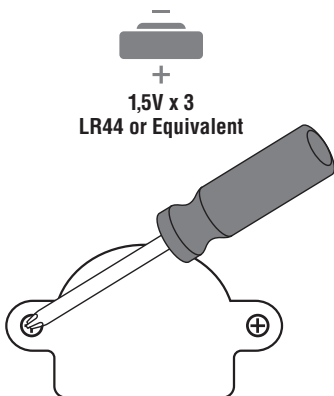
To prevent entanglement injury, never place gym in a crib or playpen. Never add strings, ties or other products to the gym.




- Slide the power switch on the musical mirror ON  or OFF .

- Bat at the mirror for sounds!

Battery Replacement



- Locate the battery compartment door on the musical mirror toy.
- Loosen the screws in the battery compartment door with a Phillips screwdriver and remove the door.
- Remove the exhausted batteries and dispose properly.
- Insert three, new button cell (LR44) **alkaline** batteries.
- Replace the battery compartment door and tighten the screws. Do not over-tighten.
- If the toy begins to operate erratically, you may need to reset the electronics. Slide the power switch off and back on.
- When sounds become faint or stop, it's time for an adult to change the batteries.
-  Protect the environment by not disposing of this product with household waste (2002/96/EC). Check your local authority for recycling advice and facilities.

Battery Safety Information

In exceptional circumstances, batteries may leak fluids that can cause a chemical burn injury or ruin your product. To avoid battery leakage:

- Do not mix old and new batteries or batteries of different types: alkaline, standard (carbon-zinc) or rechargeable (nickel-cadmium).
- Insert batteries as indicated inside the battery compartment.
- Remove batteries during long periods of non-use. Always remove exhausted batteries from the product. Dispose of batteries safely. Do not dispose of this product in a fire. The batteries inside may explode or leak.
- Never short-circuit the battery terminals.
- Use only batteries of the same or equivalent type, as recommended.
- Do not charge non-rechargeable batteries.
- Remove rechargeable batteries from the product before charging.
- If removable, rechargeable batteries are used, they are only to be charged under adult supervision.

Care

- Machine wash the mat, bear and ball in cold water, gentle cycle. Do not use bleach. Tumble dry low heat.
- Wipe the arches and toys with a clean cloth dampened with a mild soap and water solution. Do not use bleach.
- Do not immerse the electronic toy.