

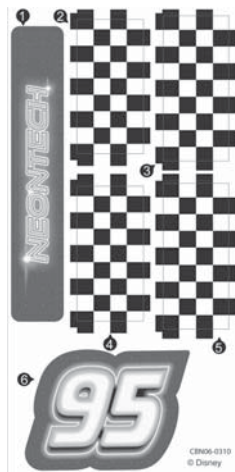
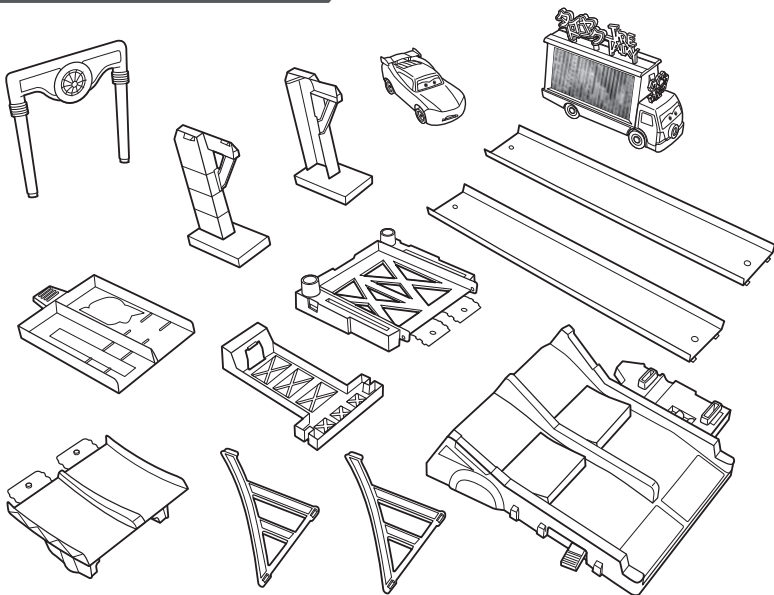


NEON NIGHTS TRACK SET

INSTRUCTIONS

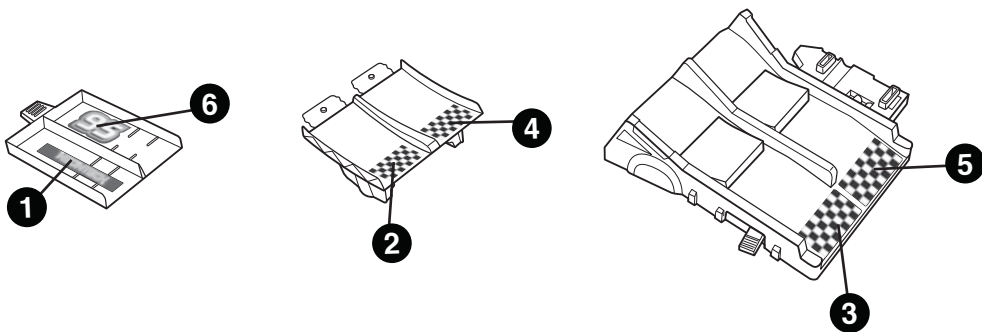
4+

CONTENTS



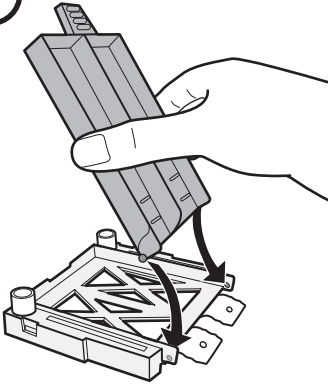
Label Sheet

1 / APPLY LABELS

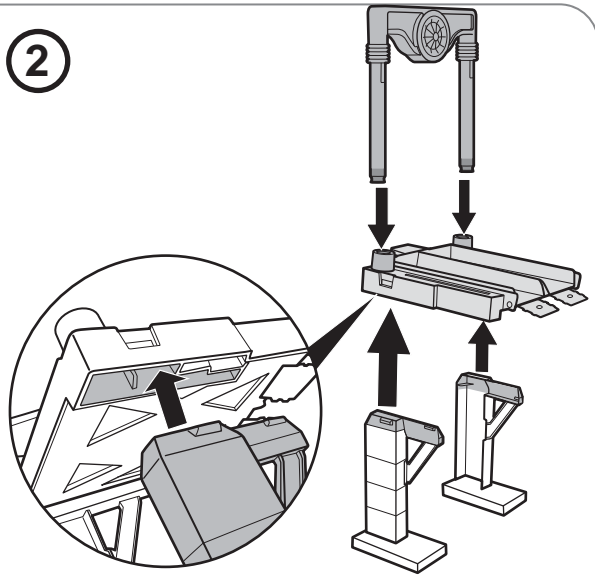


2 / ASSEMBLY

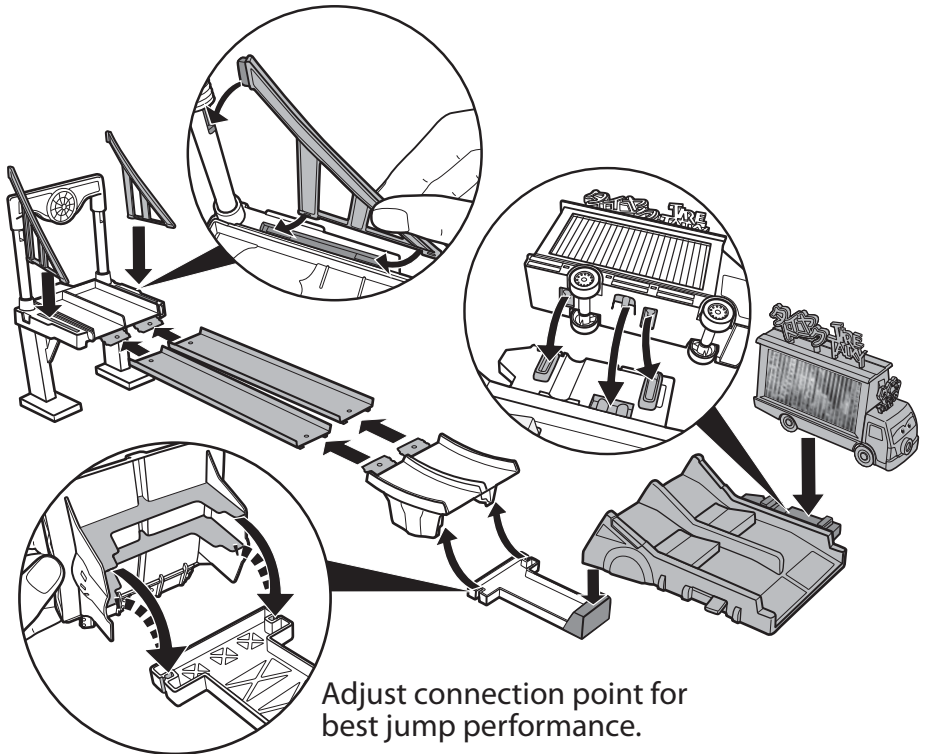
1



2

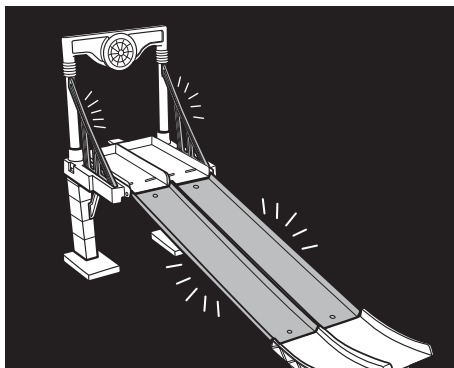


3



Adjust connection point for best jump performance.

1

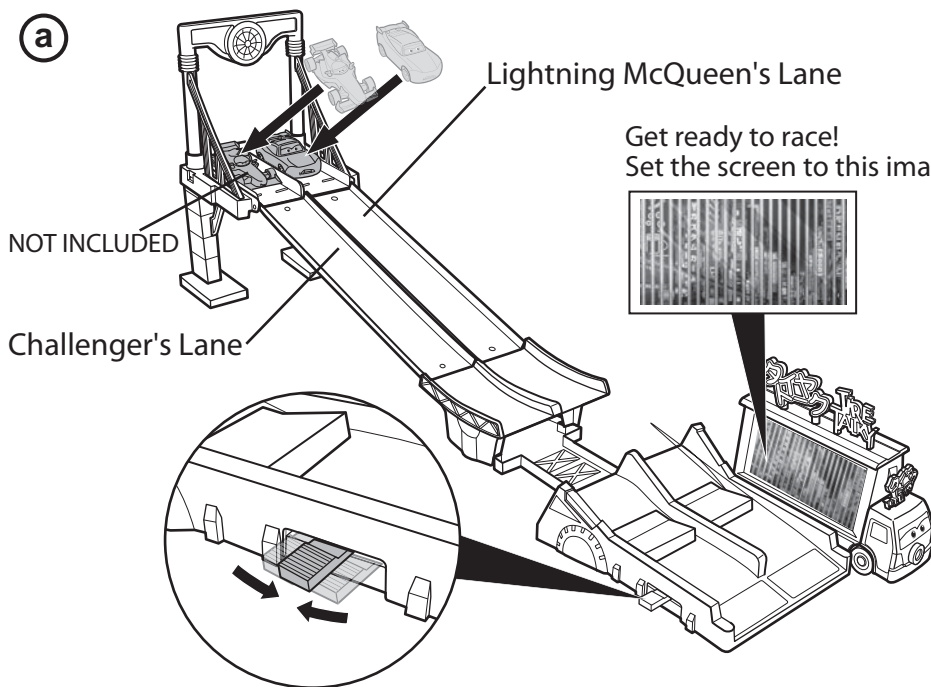


"Glow-in-the-dark" feature will last longer if you do not expose this product to intense heat or direct sunlight for prolonged periods of time.

Place product approximately 5 feet (152 cm) away from a light source for 30 seconds. Placing product closer will not intensify the "Glow-in-the-dark" feature.

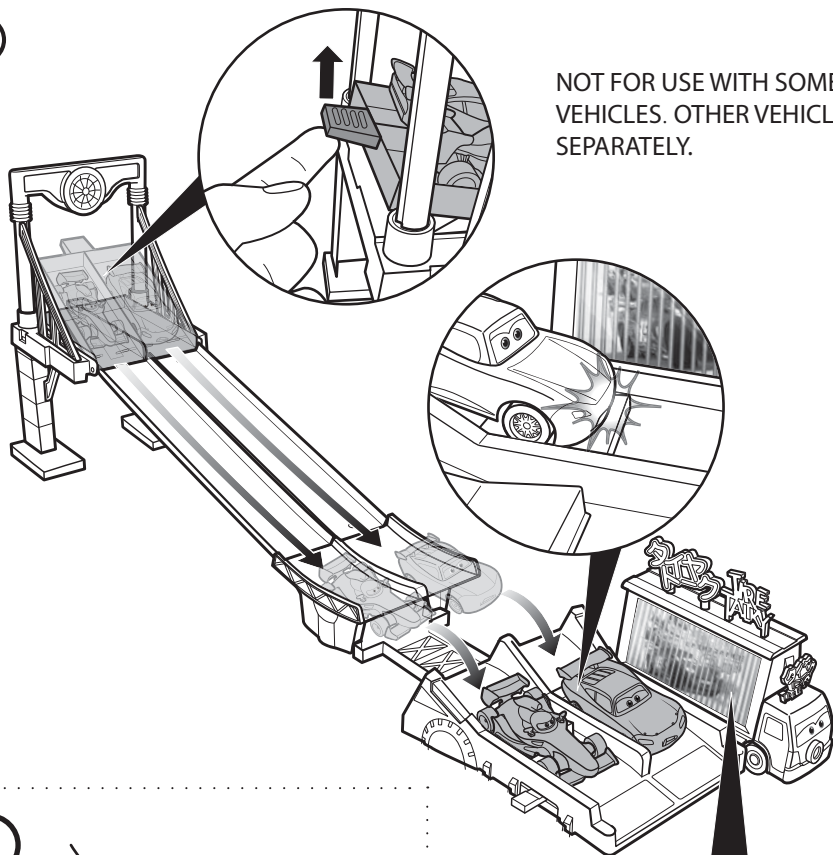
2

a



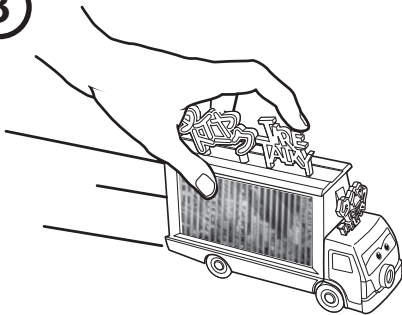
To set or reset, move knob to middle position.

b



NOT FOR USE WITH SOME CARS VEHICLES. OTHER VEHICLE SOLD SEPARATELY.

3



LIGHTNING McQUEEN WINS!



OR

CHALLENGER WINS!



©2013 Mattel. All Rights Reserved.

Mattel, Inc., 636 Girard Avenue, East Aurora, NY 14052, U.S.A. Consumer Relations 1-800-524-8697. Mattel U.K. Ltd., Vanwall Business Park, Maidenhead SL6 4UB. Helpline 01628 500303. Mattel Australia Pty., Ltd., Richmond, Victoria. 3121. Consumer Advisory Service - 1300 135 312. Mattel East Asia Ltd., Room 503-09, North Tower, World Finance Centre, Harbour City, Tsimshatsui, HK, China. Diimport & Diedarkan Oleh: Mattel SEA Ptd Ltd.(993532-P) Lot 13.5, 13th Floor, Menara Lien Hoe, Persiaran Tropicana Golf Country Resort, 47410 PJ. Malaysia. Tel:03-78803817, Fax:03-78803867.

