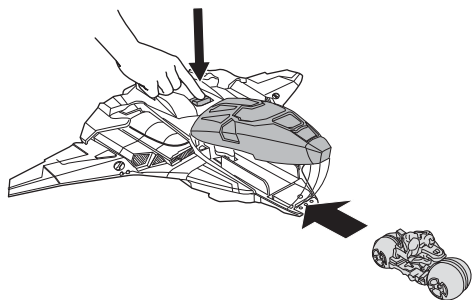
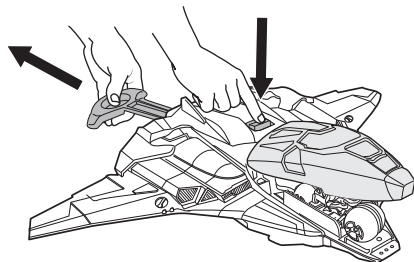


TO PLAY

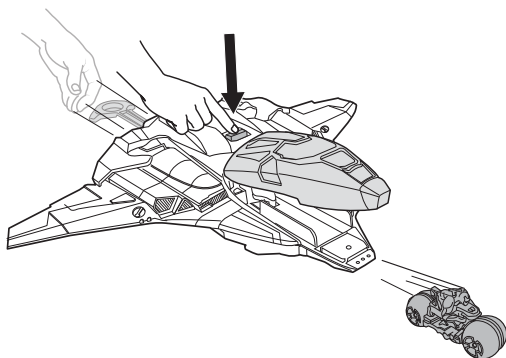
1. PUT QUINJET ON THE FLOOR. HOLD BUTTON TO OPEN COCKPIT AND LOAD MOTO INSIDE.



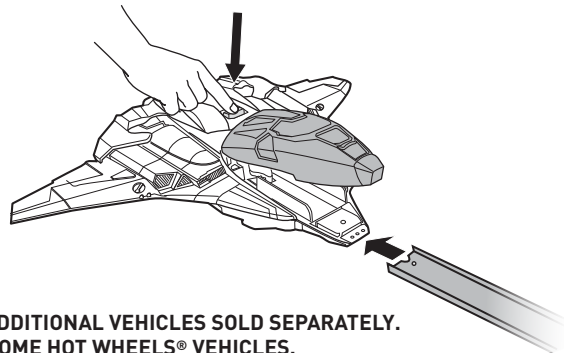
2. WHILE HOLDING COCKPIT OPEN, PULL HANDLE BACK.



3. RELEASE HANDLE TO LAUNCH MOTO!



CONNECT TO OTHER HOT WHEELS® SETS (SOLD SEPARATELY).



**INCLUDES 1 MOTO. ADDITIONAL VEHICLES SOLD SEPARATELY.
NOT FOR USE WITH SOME HOT WHEELS® VEHICLES.**

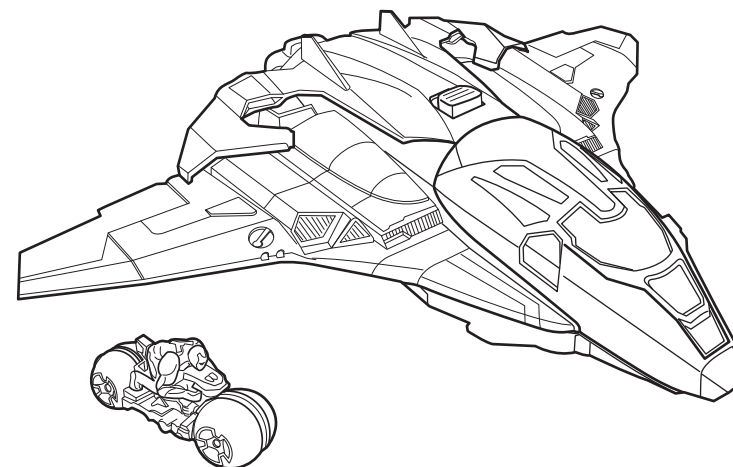
INSTRUCTIONS

MARVEL

© MARVEL



QUINJET MOTO LAUNCHER



4+

service.mattel.com
HOTWHEELS.COM



CCW95-1100311015

PLEASE KEEP THESE INSTRUCTIONS FOR FUTURE REFERENCE AS THEY CONTAIN IMPORTANT INFORMATION.