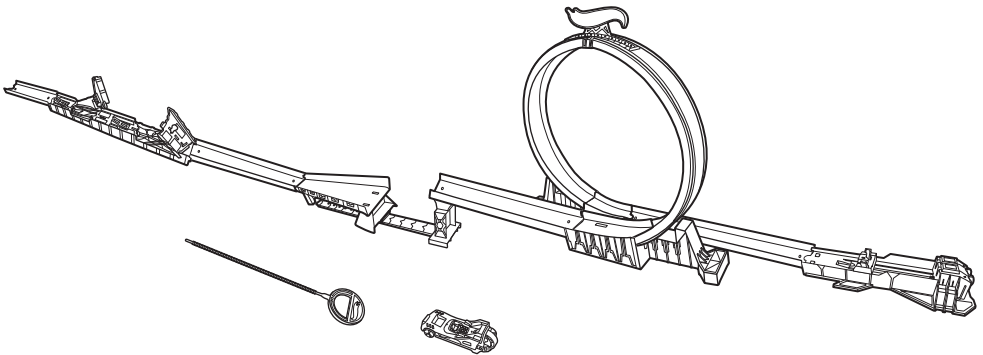


# INSTRUCTIONS



## RACE RIP UP RACEWAY™



**4+**

service.mattel.com

**HOTWHEELS.COM**

**WARNING:**  
CHOKING HAZARD - Small parts.  
Not for children under 3 years.

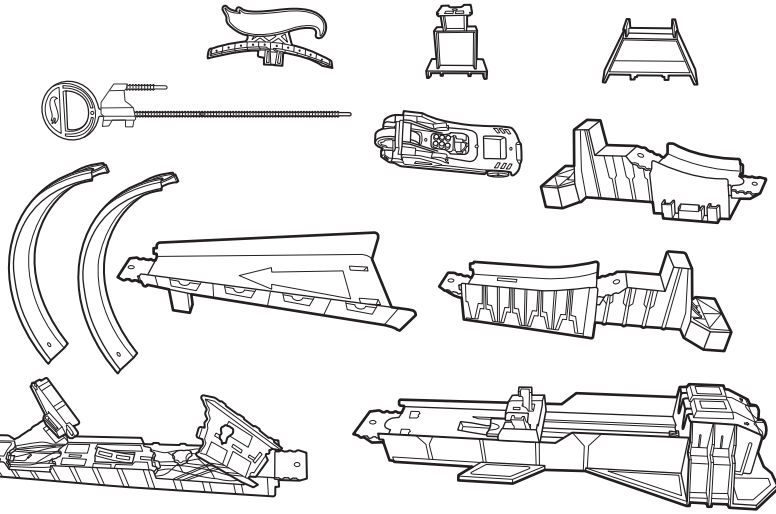
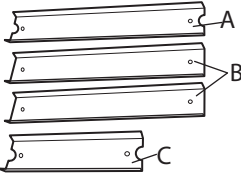
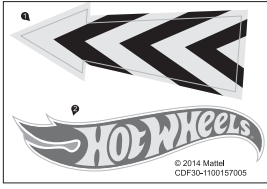


CDF30-1100177462\_DOM\_G1

PLEASE KEEP THESE INSTRUCTIONS FOR FUTURE  
REFERENCE AS THEY CONTAIN IMPORTANT INFORMATION.

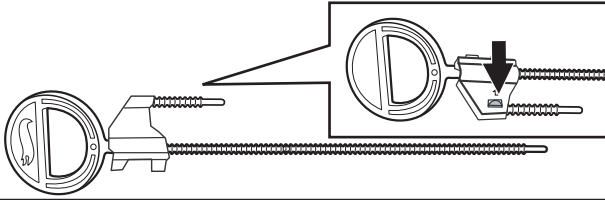
# CONTENTS

## Label sheet

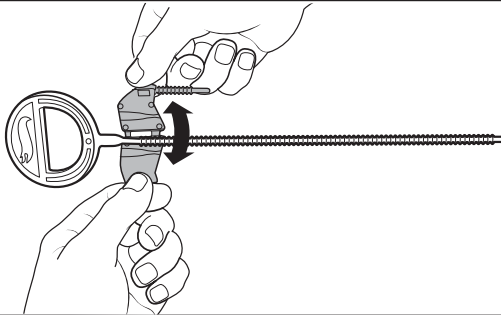


Remove and dispose of TRY-ME parts before play.

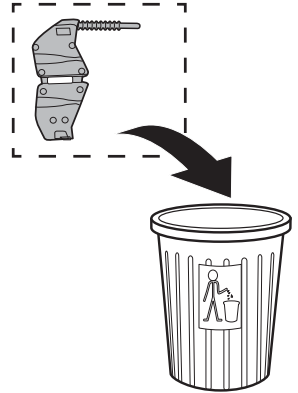
1.



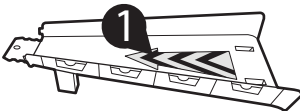
2.



3.

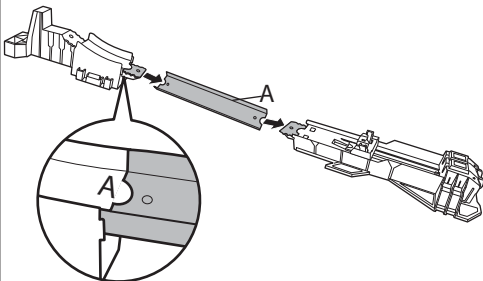


## APPLY LABELS

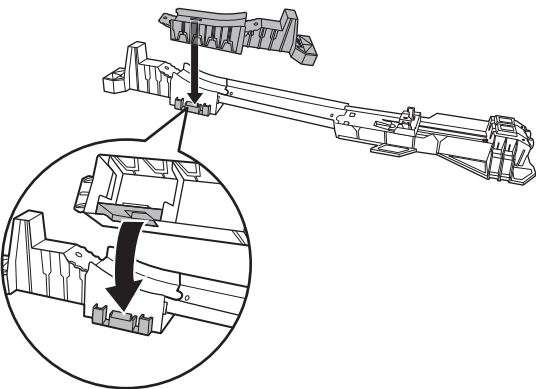


# ASSEMBLY

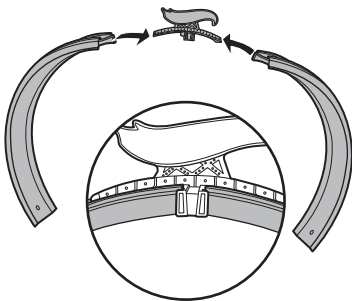
1.



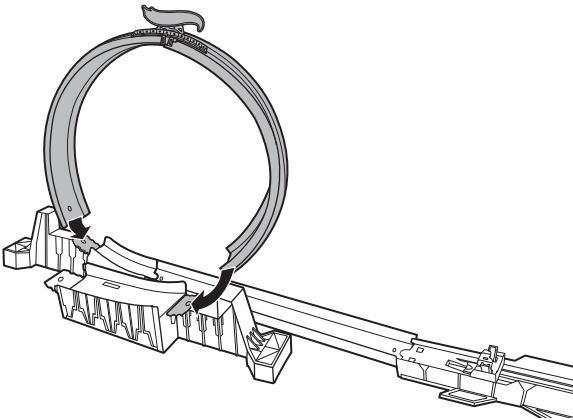
2.



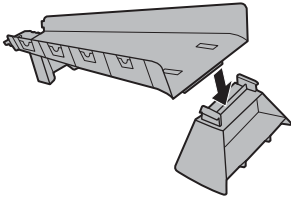
3.



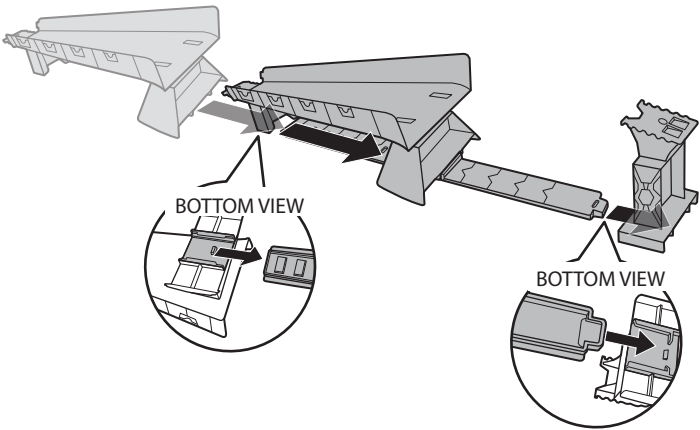
4.



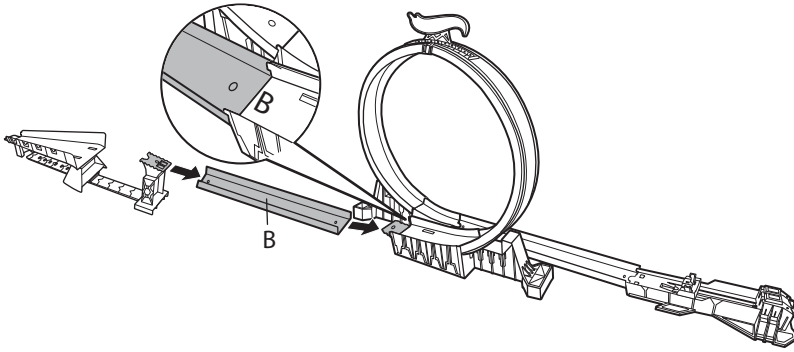
5.



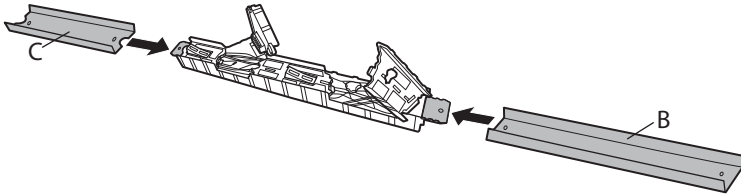
6.



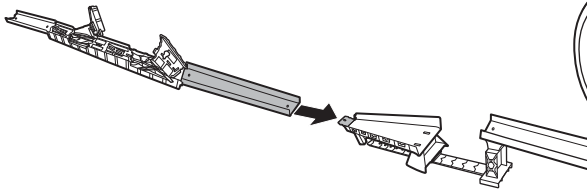
7.



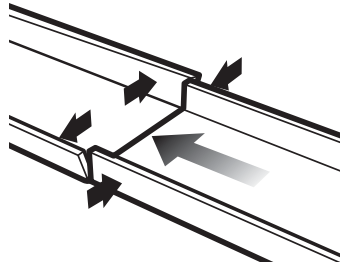
8.



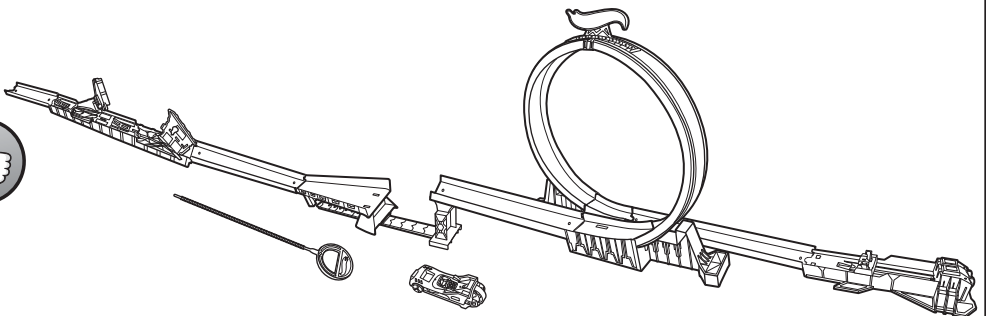
9.



TIP: Adjust track side walls at each connection point as shown.



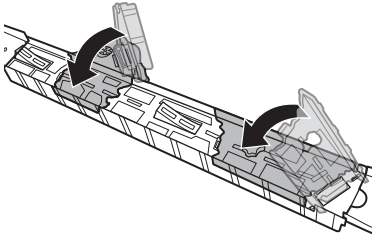
10.



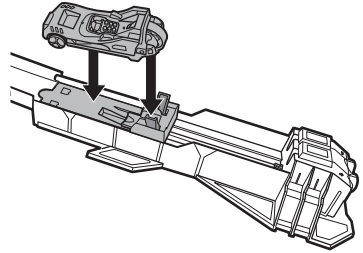
NOT FOR USE WITH SOME HOT WHEELS® VEHICLES.

# TO PLAY

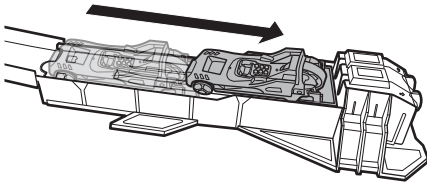
- 1.** Set/Reset the track before play.



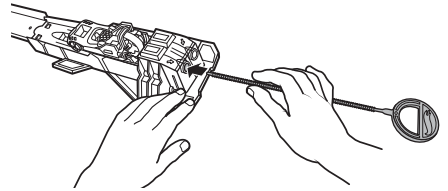
- 2.** Load vehicle.



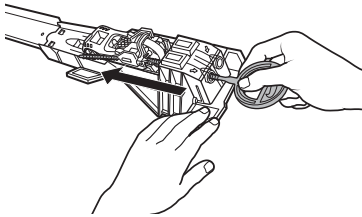
- 3.** Push vehicle and launcher back until it locks.



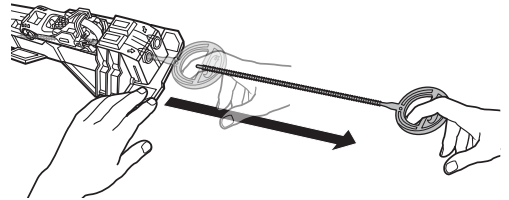
- 4.** Insert ripcord into the launcher and through the vehicle.



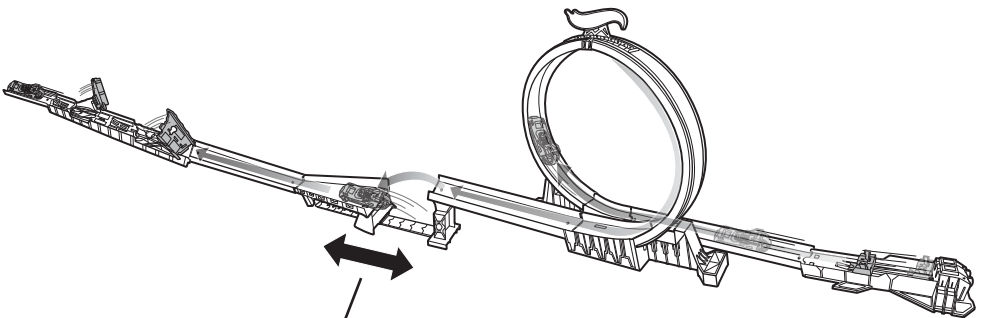
- 5.** Push ripcord all the way in.



- 6.** Pull ripcord all the way out to launch vehicle.  
Pull harder to go faster!

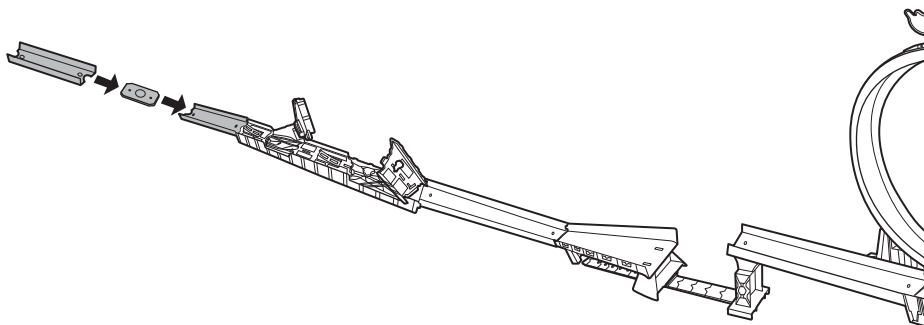


- 7.**



Adjust the distance to vary the challenge.

# MORE WAYS TO PLAY



CONNECT TO OTHER HOT WHEELS® SETS (SOLD SEPARATELY).

## REPLACE RUBBER BAND

