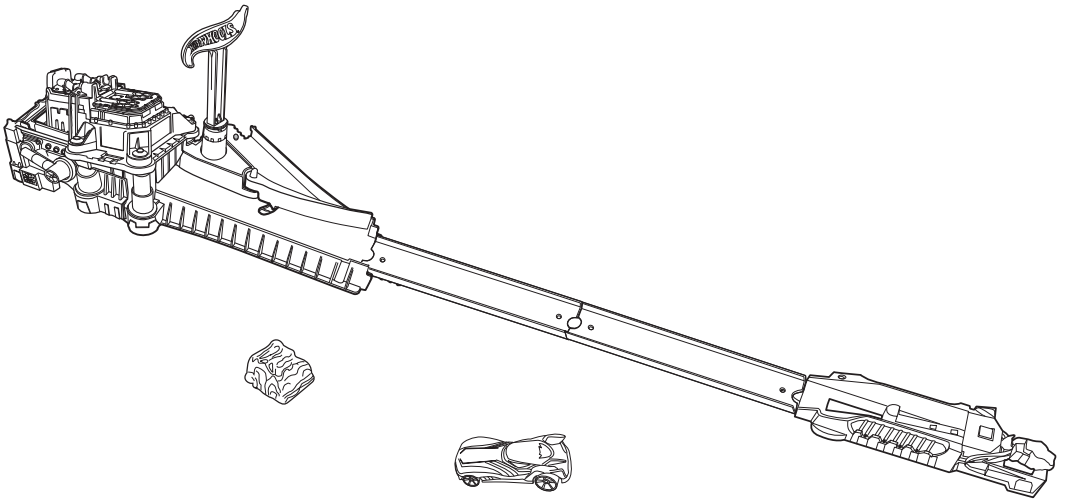




CAR CRUSH HIGHWAY™



 **WARNING:**
CHOKING HAZARD – Small parts.
Not for children under 3 years.

4+

service.mattel.com

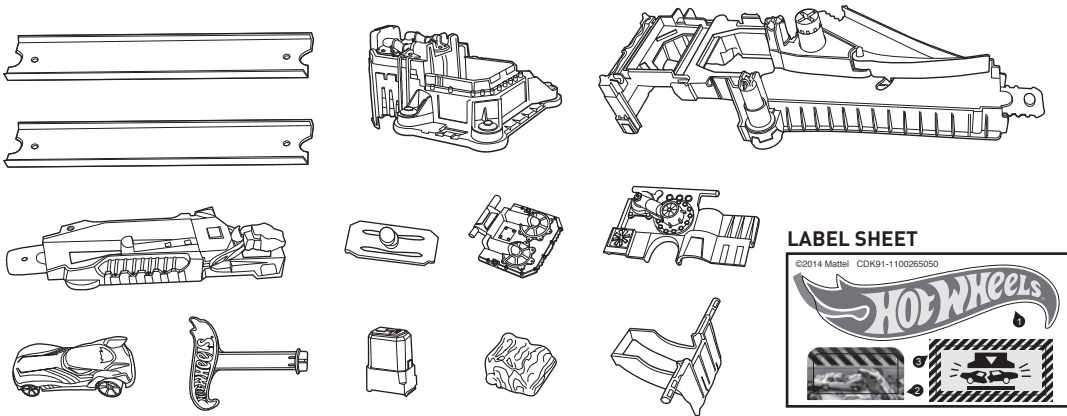
HOTWHEELS.COM



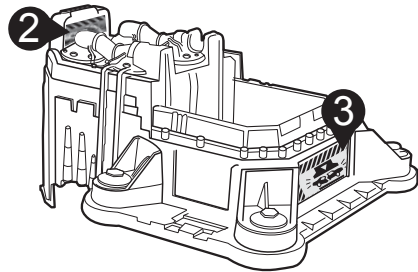
ASST.X2604
CDK91-0970-G1
1100315975_DOM

PLEASE KEEP THESE INSTRUCTIONS FOR FUTURE REFERENCE AS THEY CONTAIN IMPORTANT INFORMATION.

CONTENTS

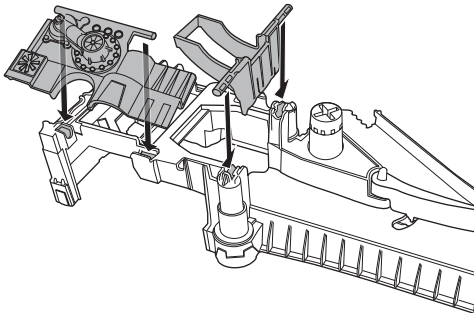


APPLY LABELS

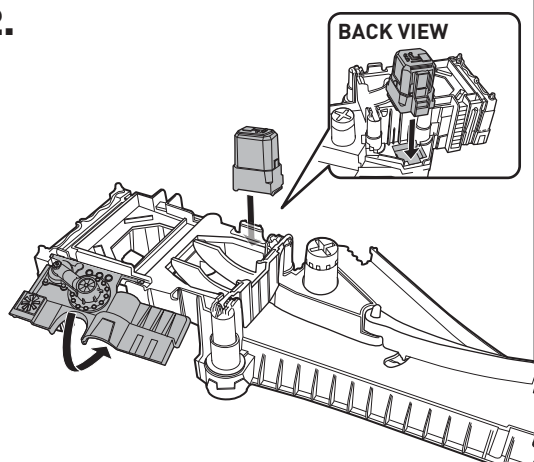


ASSEMBLY

1.

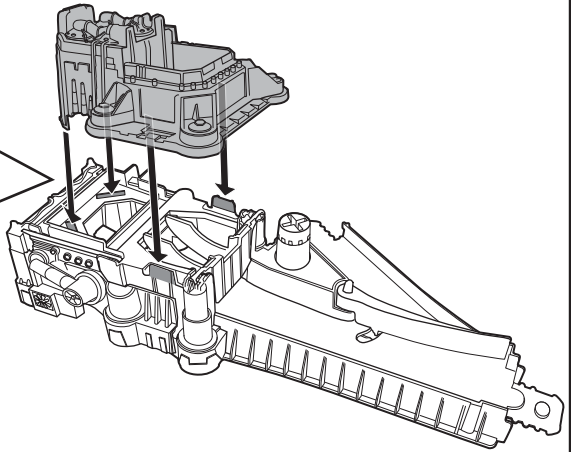
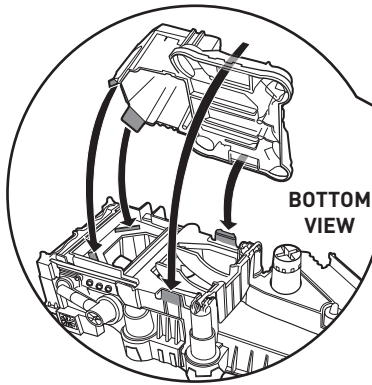


2.

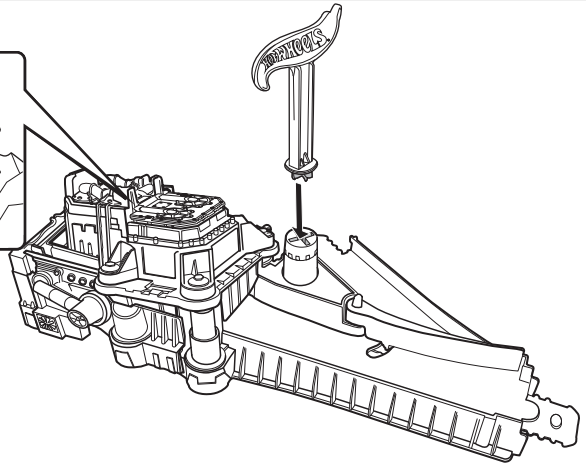
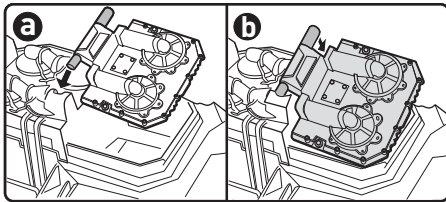


ASSEMBLY (CONTD.)

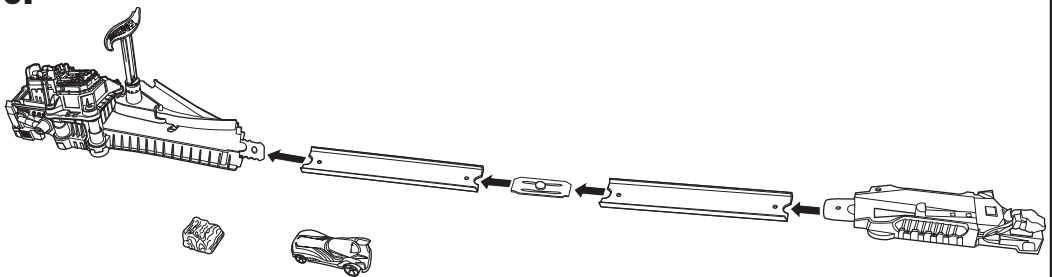
3.



4.



5.

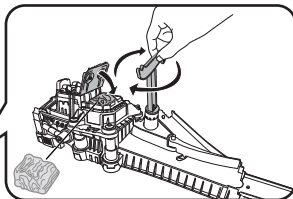


NOT FOR USE WITH SOME HOT WHEELS® VEHICLES.

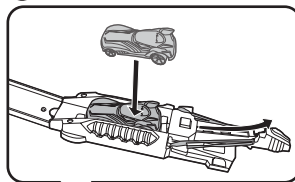
TO PLAY

1.

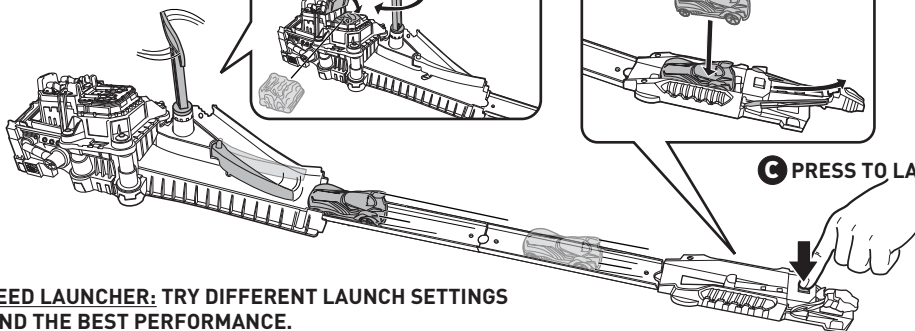
b INSERT CRUSHED CAR. WIND CRANK AND LET GO TO ACTIVATE THE DIVERTER.



a SET UP LAUNCHER AND LOAD CAR.

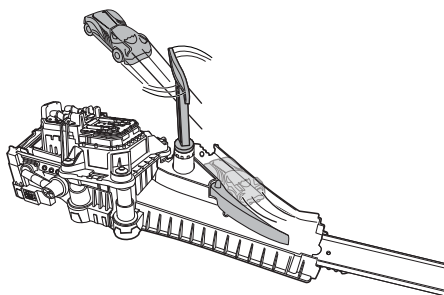


c PRESS TO LAUNCH!



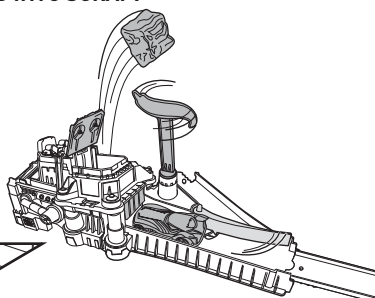
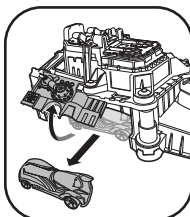
3-SPEED LAUNCHER: TRY DIFFERENT LAUNCH SETTINGS TO FIND THE BEST PERFORMANCE.

2. TIME IT RIGHT TO ESCAPE THE CRUSHER!



3. OR GET TURNED INTO SCRAP!

RESET



WARNING: DO NOT AIM AT EYES OR FACE. ONLY USE PROJECTILES SUPPLIED WITH THIS TOY. DO NOT FIRE AT POINT BLANK RANGE.

4.

CONNECT TO OTHER HOT WHEELS® SETS (SOLD SEPARATELY).

