

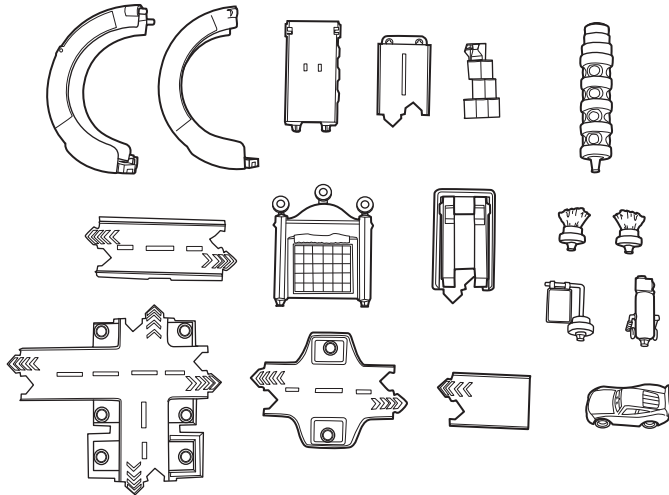


LUIGI'S LOOP

INSTRUCTIONS

4+

CONTENTS

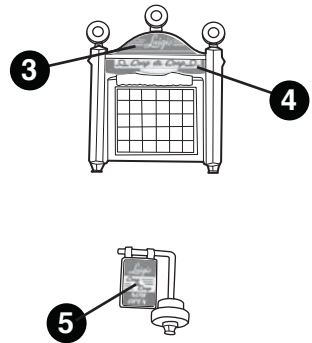
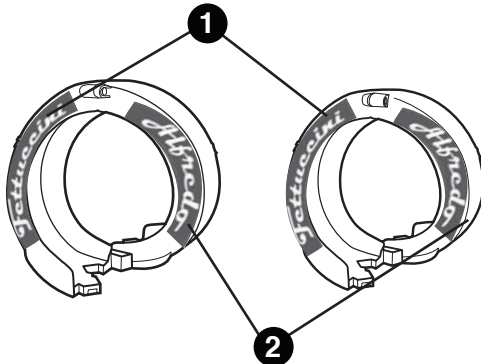


WARNING:
CHOKING HAZARD – Small parts.
Not for children under 3 years.



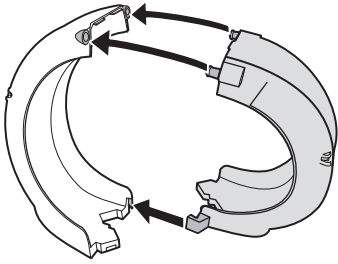
Label Sheet

1 / APPLY LABELS

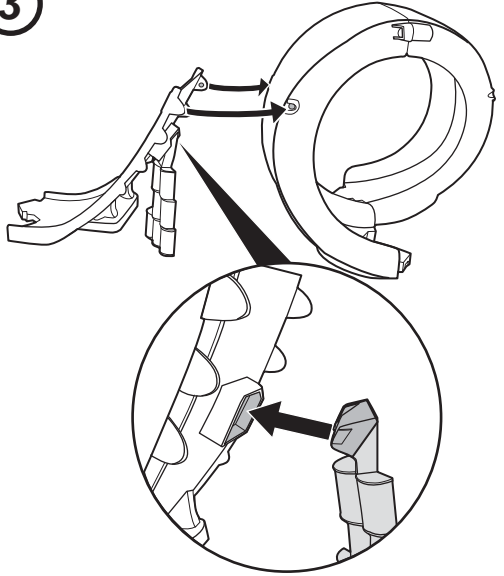


2 / ASSEMBLY

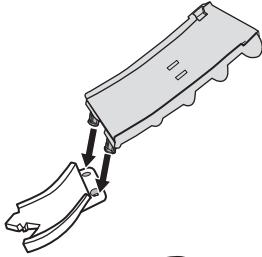
1



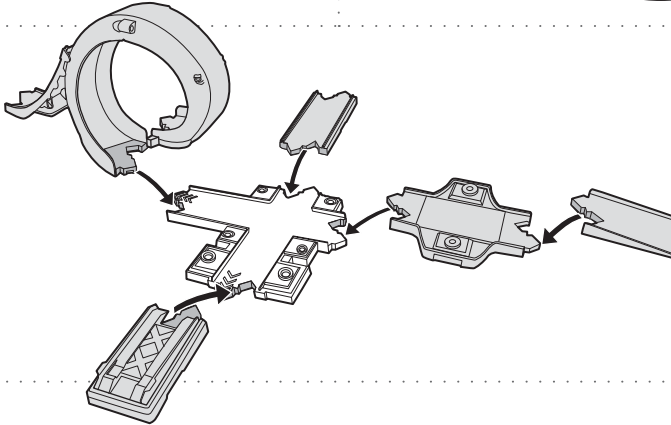
3



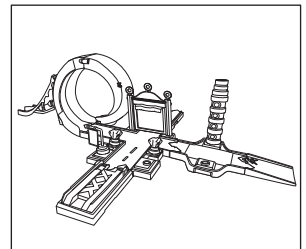
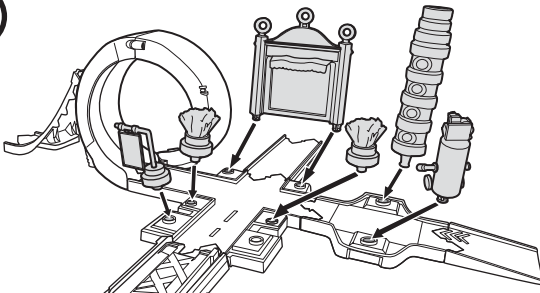
2



4

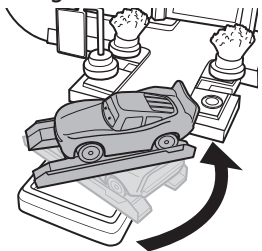


5

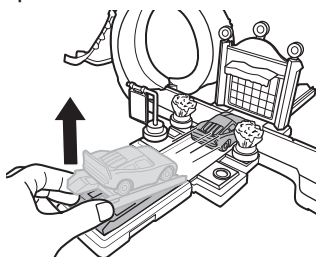


Mix & match pieces to build your own Cars world.

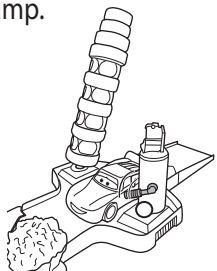
1 Moving car lift.



2 Tip to launch car.



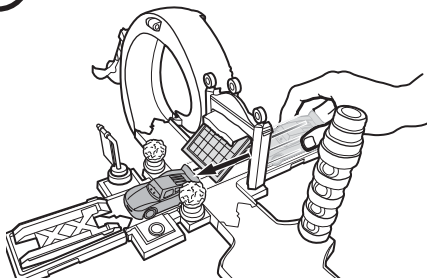
3 Air pump.



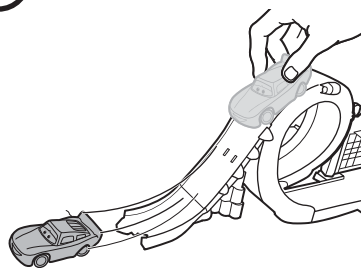
4 Spinning tower of tires.



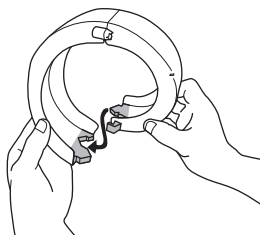
5 Drive-through door.



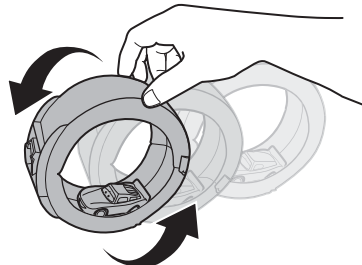
6 Roll down the ramp.



7 Connect loop together.

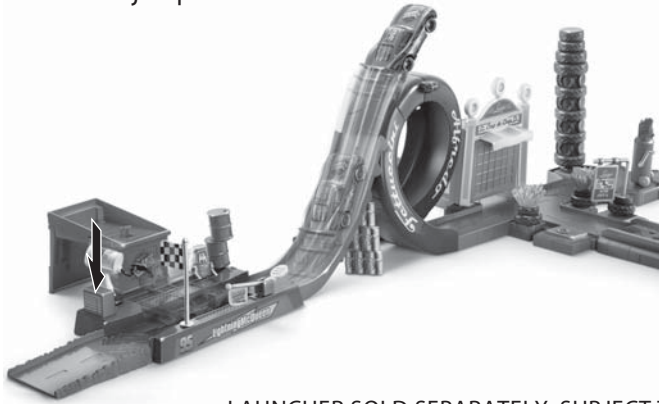


Tire roll.



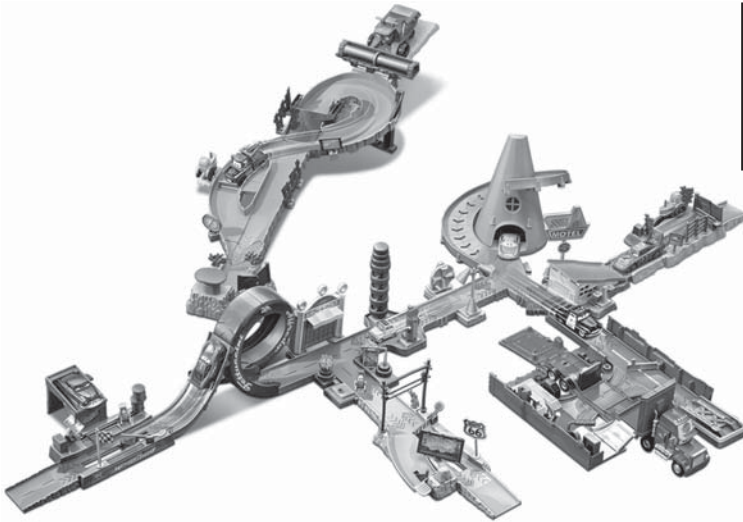
NOT FOR USE WITH SOME CARS VEHICLES.
ONE CAR INCLUDED. OTHERS SHOWN SOLD SEPARATELY, SUBJECT TO AVAILABILITY.

8 Connect launcher to jump over tire.



LAUNCHER SOLD SEPARATELY, SUBJECT TO AVAILABILITY.

4 / COLLECT & CONNECT STORY SETS



PLAYSETS AND VEHICLES EACH SOLD SEPARATELY, SUBJECT TO AVAILABILITY.



©2014 Mattel. All Rights Reserved. © and ™ designate U.S. trademarks of Mattel, except as noted.
Mattel, Inc., 636 Girard Avenue, East Aurora, NY 14052. U.S.A. Consumer Relations 1-800-524-8697. Mattel U.K. Ltd., Vanwall Business Park, Maidenhead SL6 4UB. Helpline 01628 500303. Mattel Australia Pty., Ltd., Richmond, Victoria. 3121. Consumer Advisory Service - 1300 135 312. Mattel East Asia Ltd., Room 503-09, North Tower, World Finance Centre, Harbour City, Tsimshatsui, HK, China. Diimport & Diedarkan Oleh: Mattel Southeast Asia Pte. Ltd., No 19-1, Tower 3 Avenue 7, Bangsar South City, No 8, Jalan Kerinchi, 59200 Kuala Lumpur, Malaysia. Tel: 03-78803817, Fax: 03-78803867.

FIAT™ ; Mack® ; Hudson Hornet™ ; © Volkswagen AG Mazda Miata®
Chevrolet® ; Porsche® ; Jeep® ; Mercury™ ; Plymouth Superbird™ ; Petty®

© Disney/Pixar

www.disney.com/cars

service.mattel.com

CDW67_1100281493_DOM

