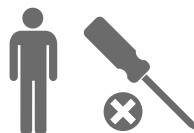


Fisher-Price®

CGM02
CGM04



Keep these instructions for future reference, as they contain important information.



Adult assembly required.
Required tool: Phillips screwdriver (not included).



Surface wash with water and a mild cleaning solution. Do not use bleach, silicone or oily lubricants. Rinse clean to remove residue. See additional care instructions in the "Let's Clean Up" section.



CAUTION

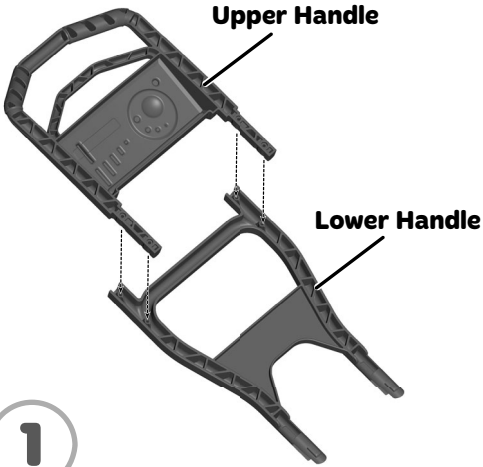
This package contains small parts.
For adult assembly only.

IMPORTANT!

Please make sure your child does not follow you using this toy while you are operating a real lawn mower. Your child should play in a separate area away from the area where you mow. Keep bubble solution away from eyes and ensure that children know that bubble solution should not be swallowed. This product is intended for outdoor use only.

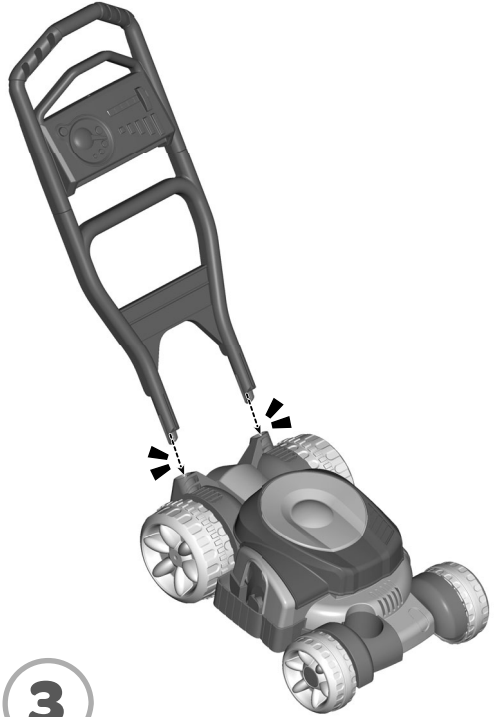
fisher-price.com

Assembly



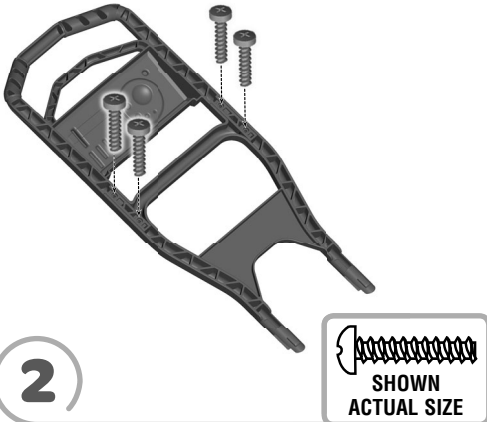
1

- Fit the upper handle onto the lower handle.



3

- Insert and “**snap**” the handle assembly into the sockets in the back end of the mower.
Hint: The handle assembly is designed to fit one way. If it does not seem to fit, turn it around and try again.



2

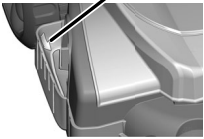
- Insert four M3,5 x 1,59 cm screws into the handle assembly and tighten with a Phillips screwdriver. Do not over-tighten.

Bubble Solution Fuels the Fun!

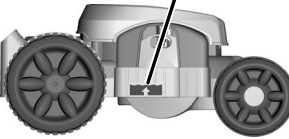


Fill Line

Fill Line



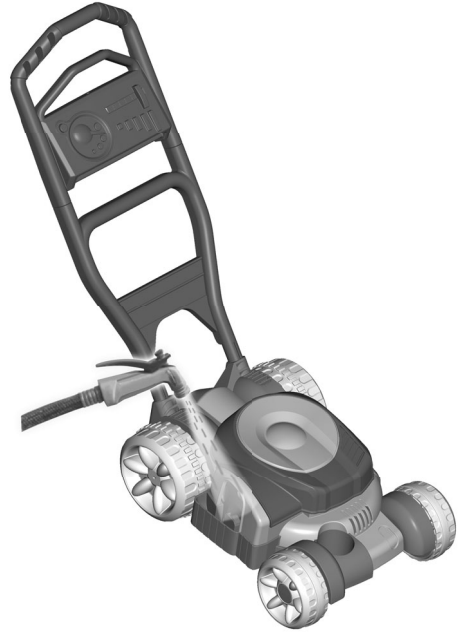
TOP VIEW



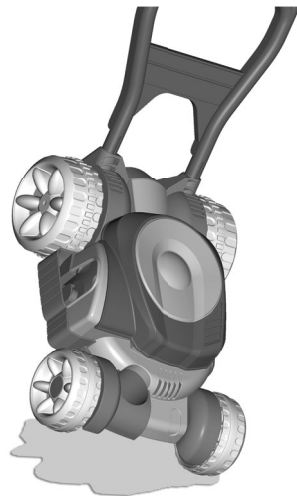
SIDE VIEW

- Use only bubble solution in this toy.
- Fill the bubble chamber to the fill line with bubble solution. Do not over-fill.
- Try to avoid spilling bubble solution on the floor. It may create slippery floor conditions.
- To prevent bubble solution from leaking, use on a flat, level surface.

Let's Clean Up



- Rinse the bubble chamber regularly and thoroughly with clean water from a garden hose or faucet.



- Tip the mower forward to drain water.

No Bubbles?

- Refill the bubble chamber to the fill line.
- The bubble chamber may be clogged. Rinse the bubble chamber thoroughly with clean water from a garden hose or facet.
- Be sure to push the mower a minimum of 15 walking steps before bubbles begin to flow.
- Walk at a slow, steady pace.
- Push the mower so that the rear wheels always contact the ground.
- Never use silicone or oily lubricants on this product. Bubbles will not form if even a very small amount of these substances get into the bubble chamber.



CONSUMER ASSISTANCE

1-800-432-5437 (US & Canada)

1300 135 312 (Australia)



service.fisher-price.com

Fisher-Price, Inc., 636 Girard Avenue, East Aurora, NY 14052.

Hearing-impaired consumers: 1-800-382-7470.

Outside the United States:

Canada: Mattel Canada Inc., 6155 Freemont Blvd.,
Mississauga, Ontario L5R 3W2; www.service.mattel.com.

Great Britain: Mattel UK Ltd, Vanwall Business Park,
Maidenhead SL6 4UB. Helpline: 01628 500303.
www.service.mattel.com/uk

Mattel Europa B.V., Gondel 1, 1186 MJ Amstelveen, Nederland.

Australia: Mattel Australia Pty. Ltd., 658 Church Street,
Locked Bag #870, Richmond, Victoria 3121 Australia.

New Zealand: 16-18 William Pickering Drive,
Albany 1331, Auckland.