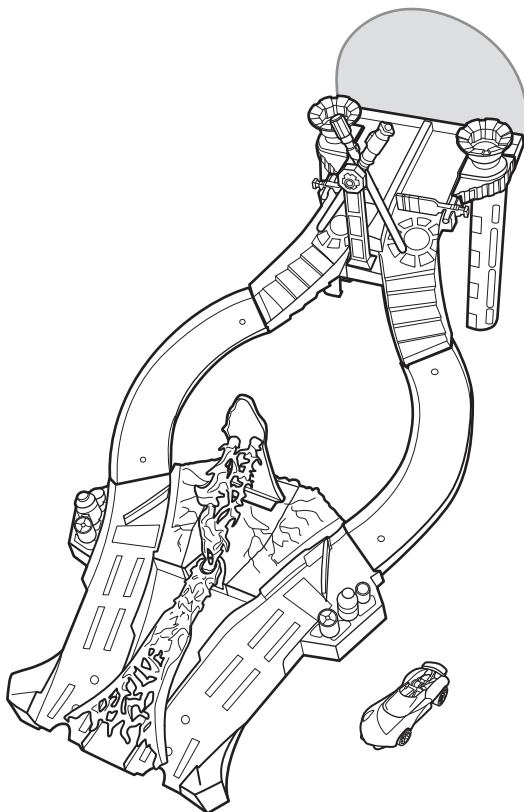


STAR WARS™



THRONE ROOM RACEWAY



4+

© & ™ Lucasfilm Ltd.
service.mattel.com

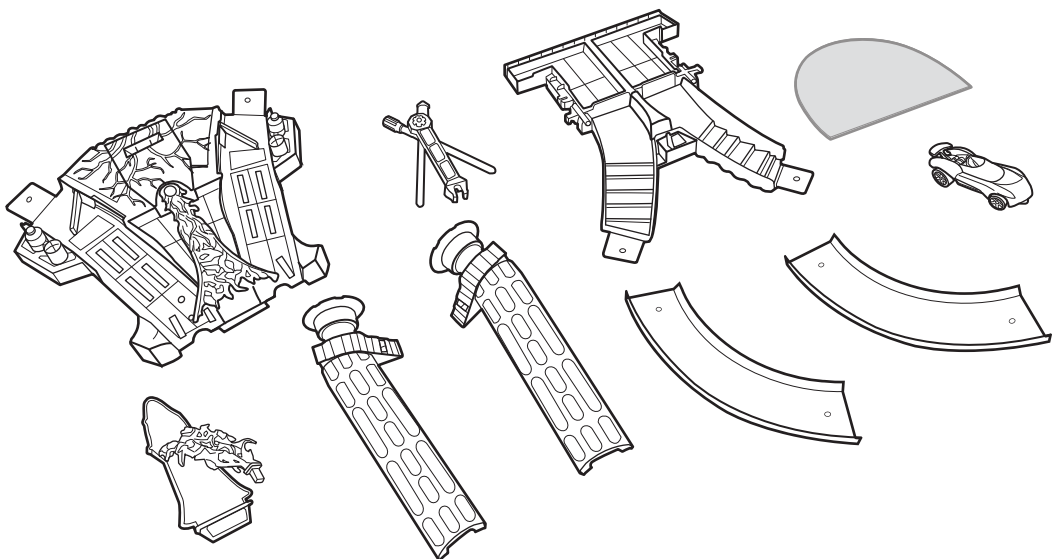
HOTWHEELS.COM



ASST.CHB13
CGN44-0970
1100424857-DOM

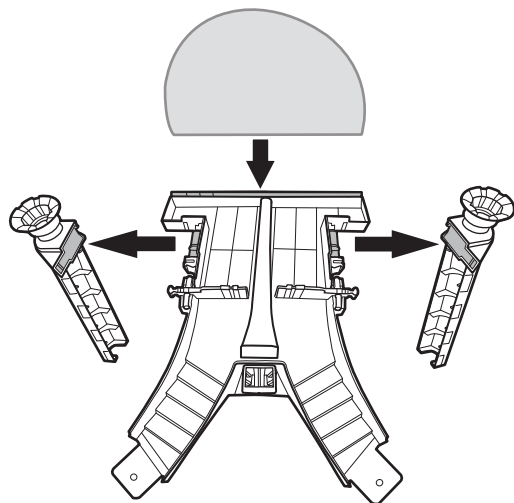
PLEASE KEEP THESE INSTRUCTIONS FOR FUTURE REFERENCE AS THEY CONTAIN IMPORTANT INFORMATION.

CONTENTS

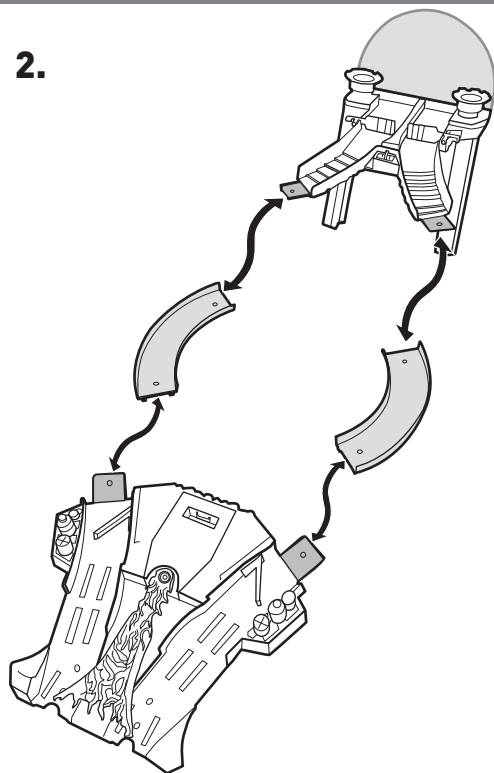


ASSEMBLY

1.

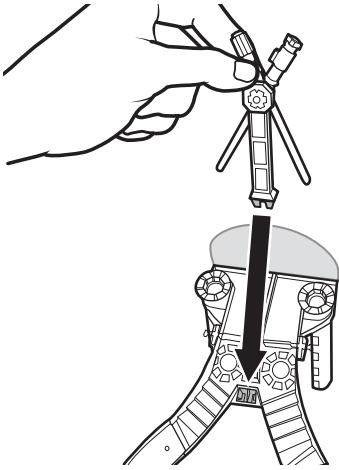


2.

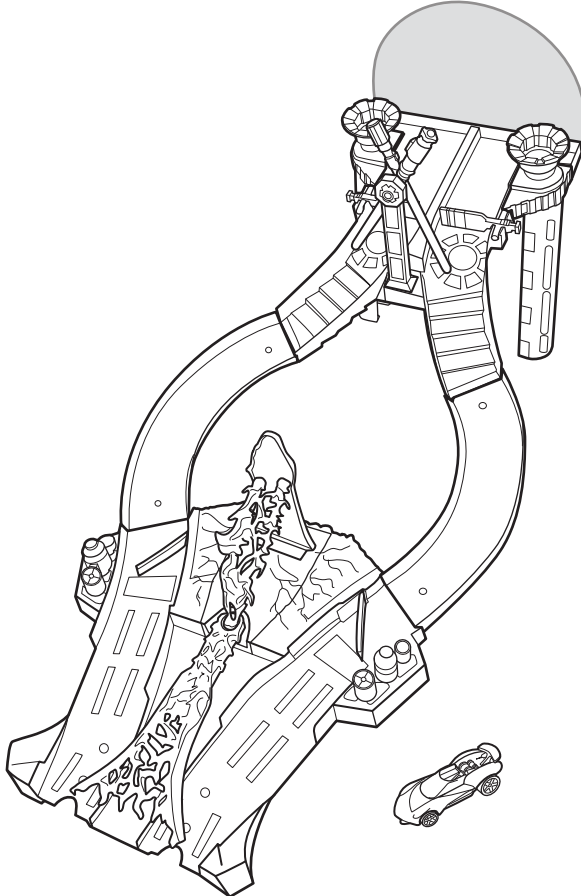


ASSEMBLY (CONTD.)

3.

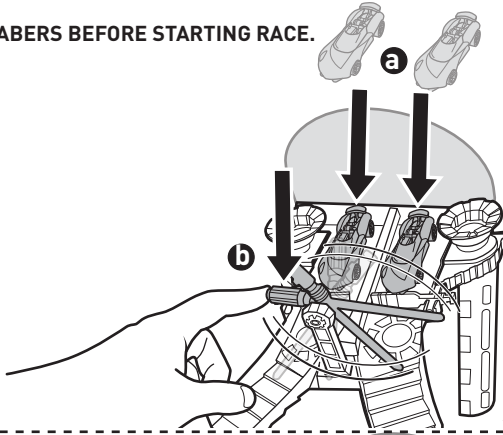


4.



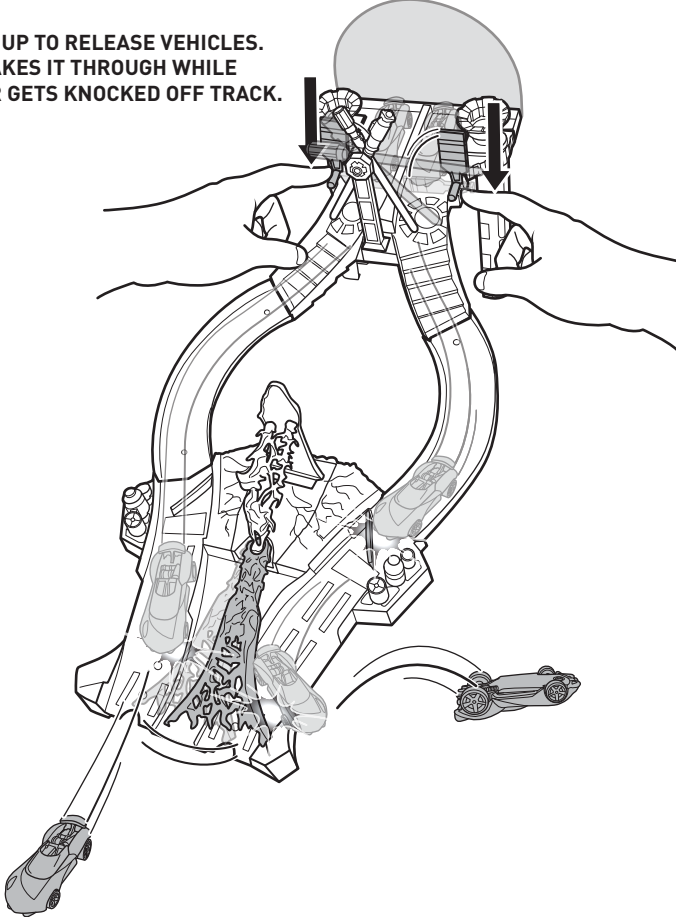
TO PLAY

1. SPIN LIGHTSABERS BEFORE STARTING RACE.



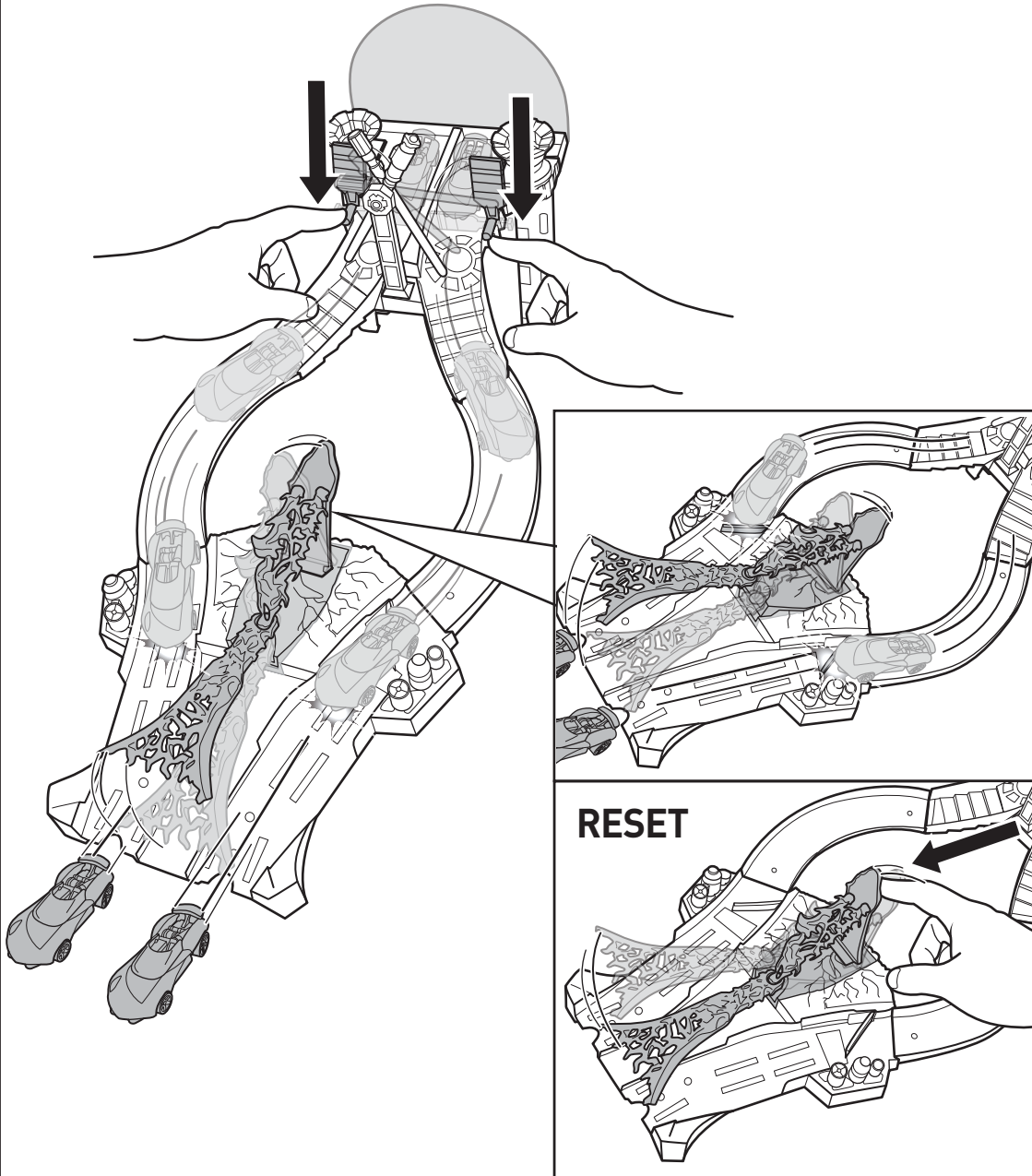
INCLUDES ONE VEHICLE.
ADDITIONAL VEHICLES SOLD SEPARATELY.

2. FLIP GATES UP TO RELEASE VEHICLES.
WINNER MAKES IT THROUGH WHILE
LOSING CAR GETS KNOCKED OFF TRACK.



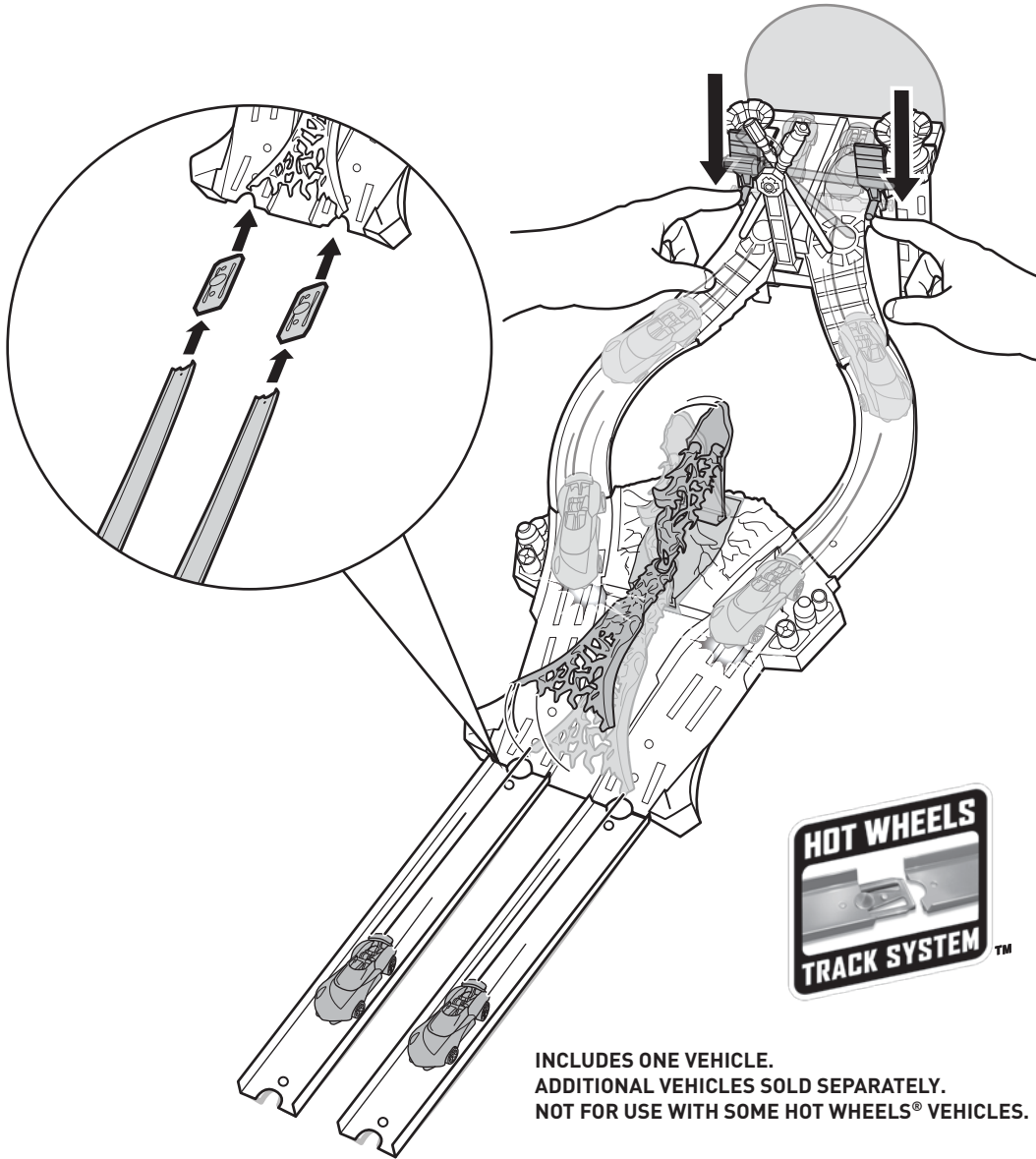
TO PLAY (CONTD.)

3. FINISH SIMULTANEOUSLY TO TAKE DOWN EMPEROR PALPATINE™!



MORE WAYS TO PLAY

CONNECT TO OTHER HOT WHEELS® SETS (NOT INCLUDED) TO CONTINUE THE RACE!



**INCLUDES ONE VEHICLE.
ADDITIONAL VEHICLES SOLD SEPARATELY.
NOT FOR USE WITH SOME HOT WHEELS® VEHICLES.**

©2015 Mattel. All Rights Reserved. © and ™ designate U.S. trademarks of Mattel, except as noted. Mattel, Inc., 636 Girard Avenue, East Aurora, NY 14052, U.S.A. Consumer Services 1-800-524-8697. Mattel U.K. Ltd., Vanwall Business Park, Maidenhead SL6 4UB. Helpline 01628 500303. Mattel Australia Pty., Ltd., Richmond, Victoria. 3121.Consumer Advisory Service - 1300 135 312. Mattel East Asia Ltd., Room 503-09, North Tower, World Finance Centre, Harbour City, Tsimshatsui, HK, China. Tel.: (852) 3185-6500. Diimport & Diedarkan Oleh: Mattel Southeast Asia Pte. Ltd., No 19-1, Tower 3 Avenue 7, Bangsar South City, No 8, Jalan Kerinchi, 59200 Kuala Lumpur, Malaysia. Tel: 03-78803817, Fax: 03-78803867.