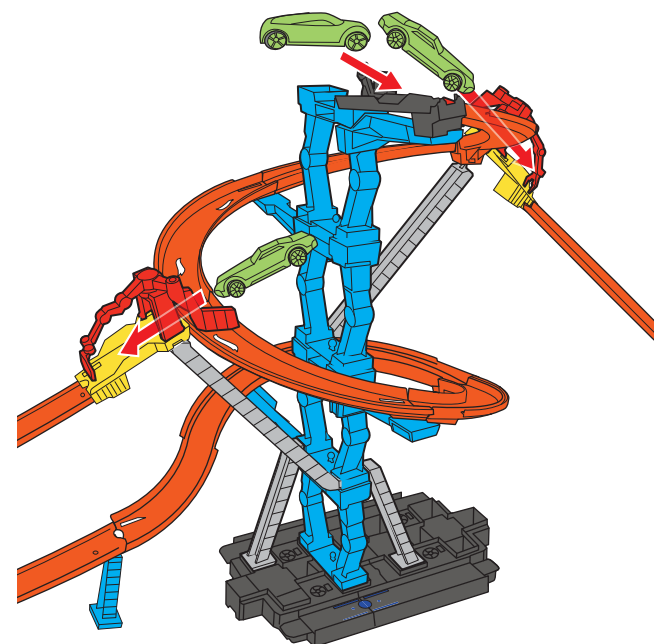
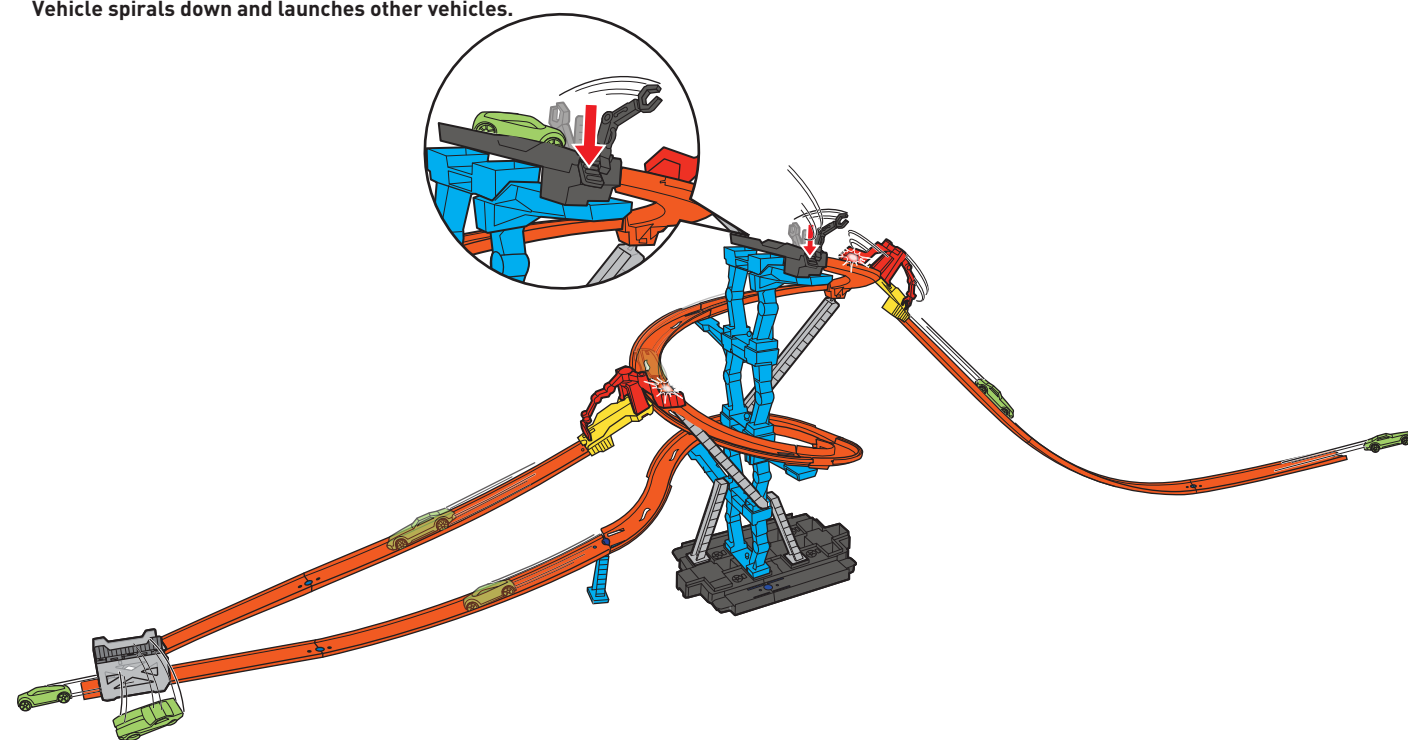


1. Load vehicles.

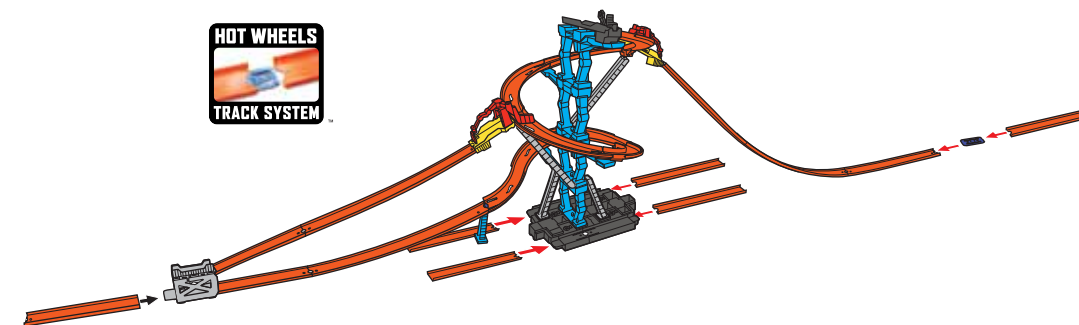


INCLUDES 1 VEHICLE, ADDITIONAL VEHICLES SOLD SEPARATELY.  
NOT FOR USE WITH SOME HOT WHEELS® VEHICLES.

2. Push lever to launch vehicle.  
Vehicle spirals down and launches other vehicles.

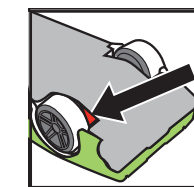
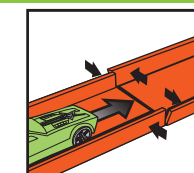


CONNECT TO OTHER HOT WHEELS® SETS (SOLD SEPARATELY).

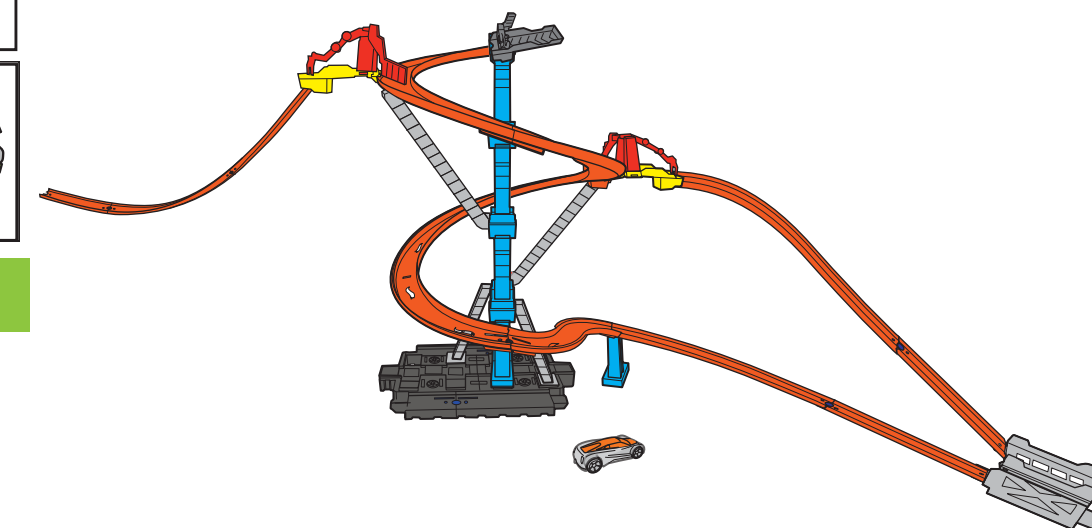


PERFORMANCE TIPS

- Q. My car keeps crashing on the tracks for no reason. What is the problem?  
A. Clear all obstructions on the tracks. Adjust track side walls at each connection point.
- Q. My car keeps slowing down by itself on the tracks.  
A. Lint may collect around your car's axles. This may cause the car to run slowly. Use tweezers or a toothpick to remove lint.

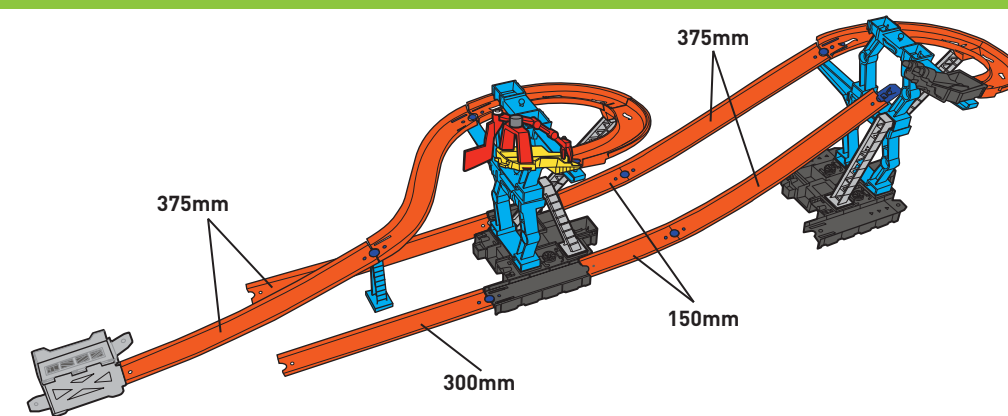
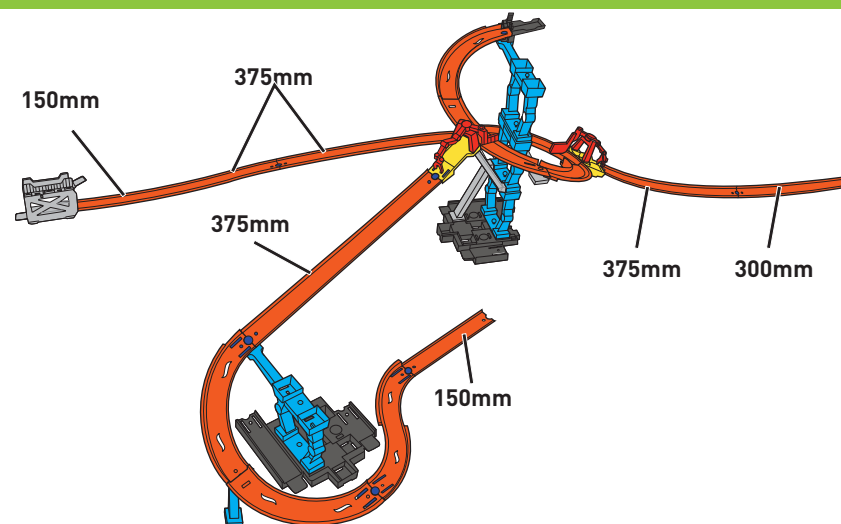
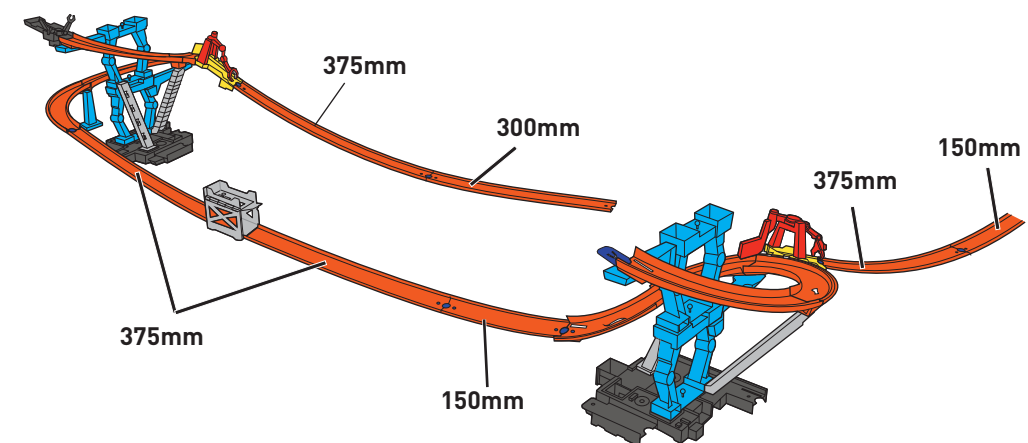


WORKSHOP  
SPIRAL STACK-UP™ STARTER SET



BUILD MULTIPLE LAYOUTS

Try building these set-ups, or create your own!



©2014 Mattel. All Rights Reserved. Mattel, Inc., 636 Girard Avenue, East Aurora, NY 14052, U.S.A. Consumer Services 1-800-524-8697. Mattel U.K. Ltd., Vanwall Business Park, Maidenhead SL6 4UB. Helpline 01628 500303. Mattel Australia Pty., Ltd., Richmond, Victoria. 3121. Consumer Advisory Service - 1300 135 312. Mattel East Asia Ltd., Room 503-09, North Tower, World Finance Centre, Harbour City, Tsimshatsui, HK, China. Diimport & Diedarkan Oleh: Mattel Southeast Asia Pte. Ltd., No 19-1, Tower 3 Avenue 7, Bangsar South City, No 8, Jalan Kerinchi, 59200 Kuala Lumpur, Malaysia. Tel: 03-78803817, Fax: 03-78803867.

4+

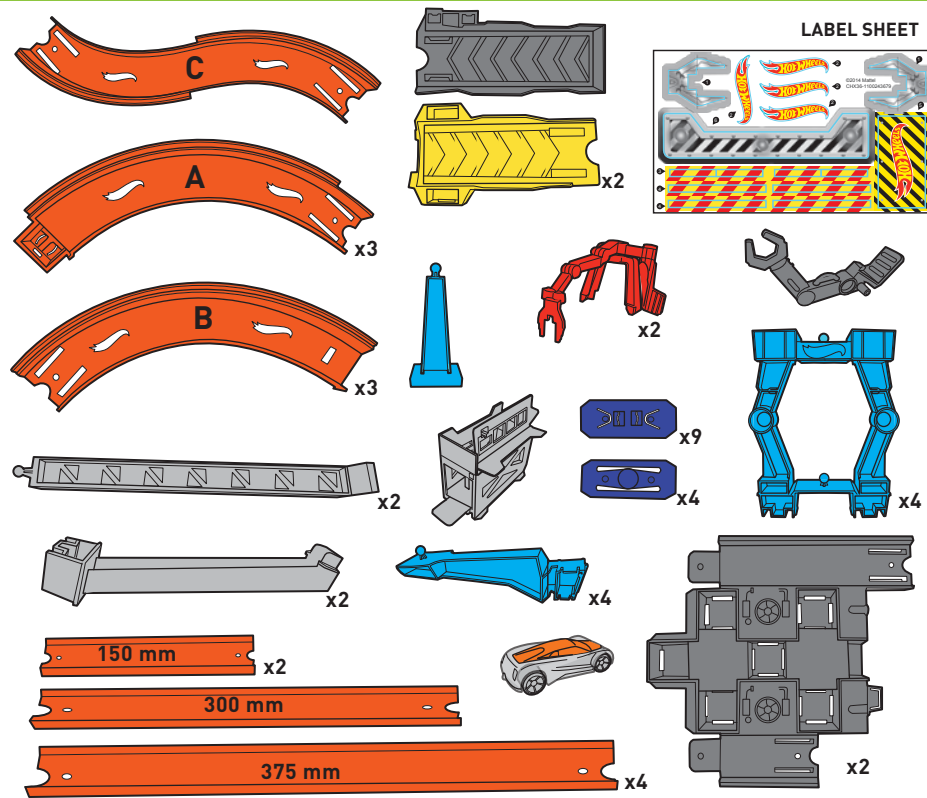
service.mattel.com  
HOTWHEELS.COM



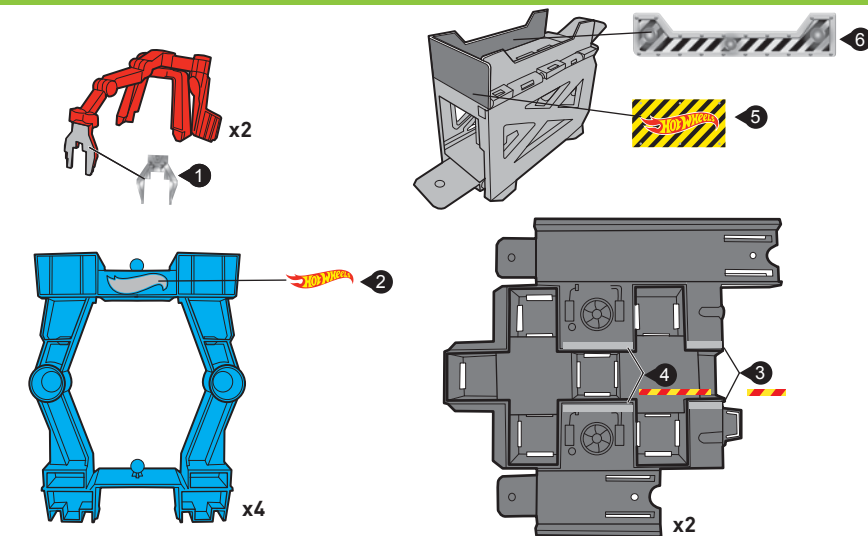
CHX36-110026325461

PLEASE KEEP THESE INSTRUCTIONS FOR FUTURE REFERENCE AS THEY CONTAIN IMPORTANT INFORMATION.

# CONTENTS



# APPLY LABELS



# ASSEMBLY



Refer to letter on toy parts and contents page to help with assembly.

