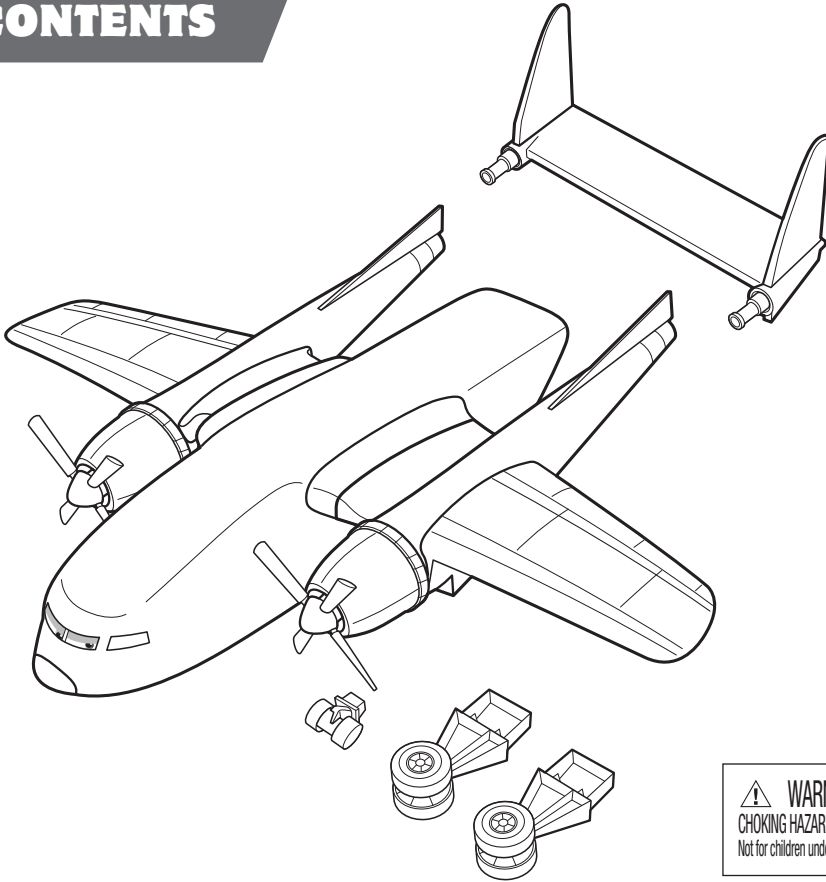


**CONTENTS**

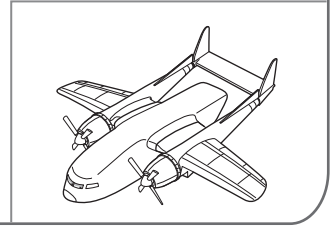
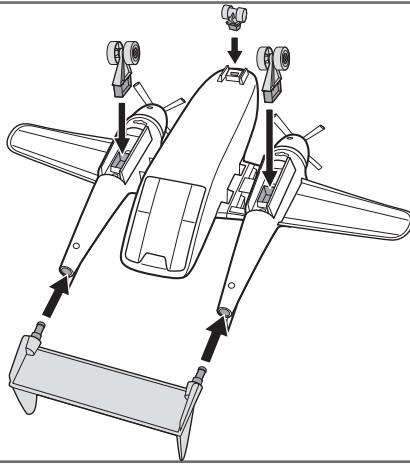


**WARNING:**  
CHOKING HAZARD - Small parts.  
Not for children under 3 years.

©2013 Mattel. All Rights Reserved.  
Mattel, Inc., 636 Girard Avenue, East Aurora, NY 14052, U.S.A. Consumer Relations 1-800-524-8697. Mattel U.K. Ltd., Vanwall Business Park, Maidenhead SL6 4UB. Helpline 01628 500303. Mattel Australia Pty., Ltd., Richmond, Victoria. 3121. Consumer Advisory Service - 1300 135 312. Mattel East Asia Ltd., Room 503-09, North Tower, World Finance Centre, Harbour City, Tsimshatsui, HK, China. Diimport & Diedarkan Oleh: Mattel SEA Ptd Ltd. (993532-P) Lot 13.5, 13th Floor, Menara Lien Hoe, Persiaran Tropicana Golf Country Resort, 47410 PJ, Malaysia. Tel: 03-78803817, Fax: 03-78803867.

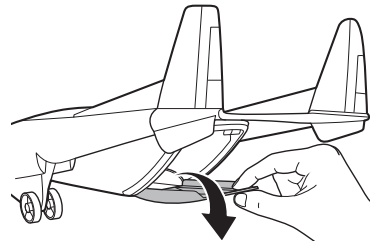


# 1 / ASSEMBLY



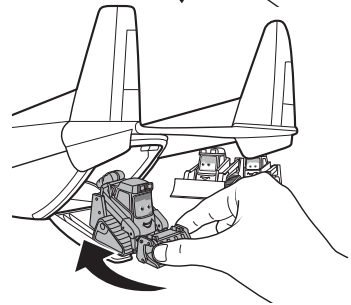
# 2 / TO PLAY

1 LOWER RAMP.



2 LOAD UP TO 3 SMOKEJUMPERS INSIDE AND CLOSE RAMP.

Additional vehicles not included.  
NOT FOR USE WITH SOME PLANES VEHICLES.



3 "FLY" TO THE RESCUE!

