

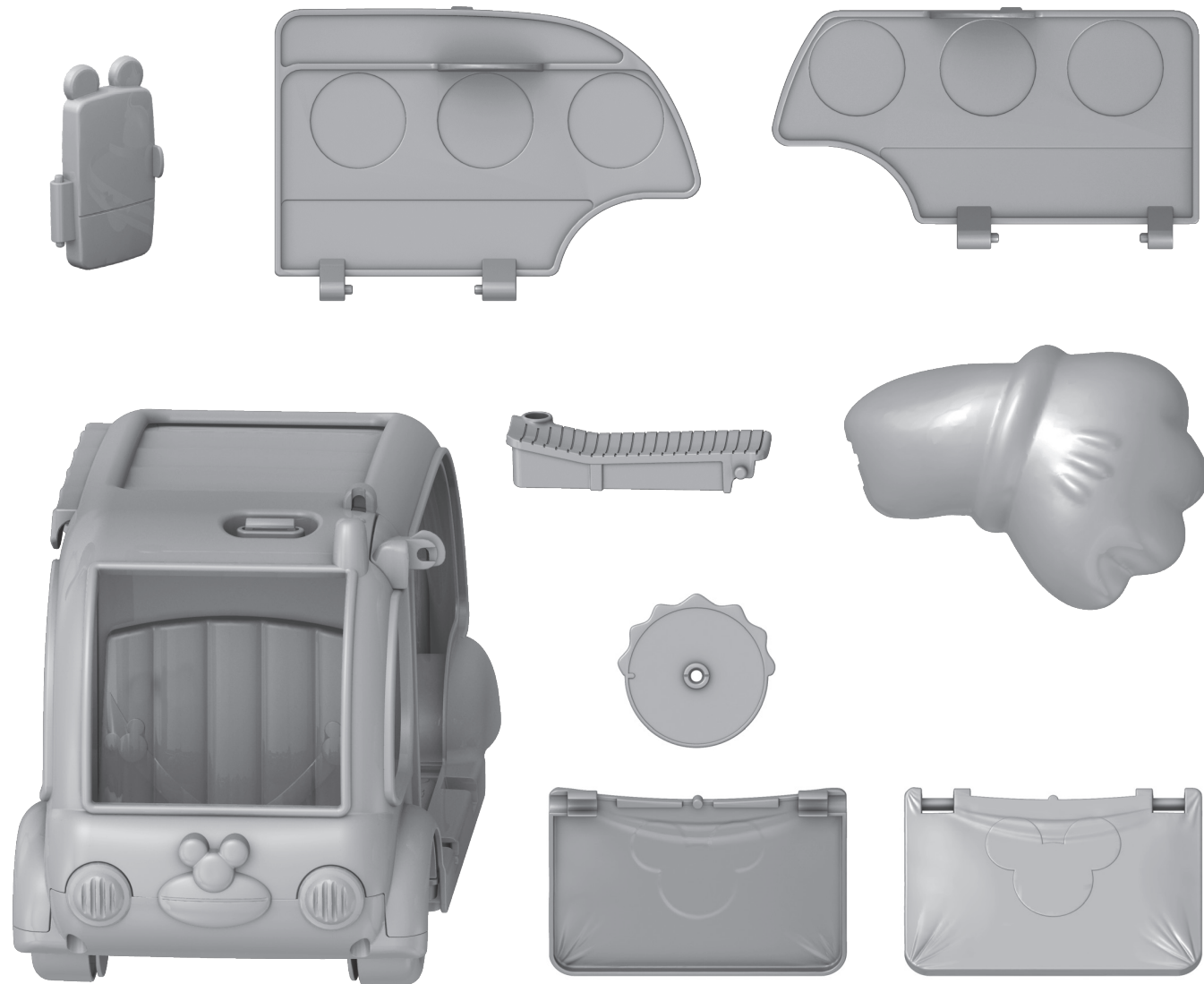


Cruisin' Camper

INSTRUCTIONS

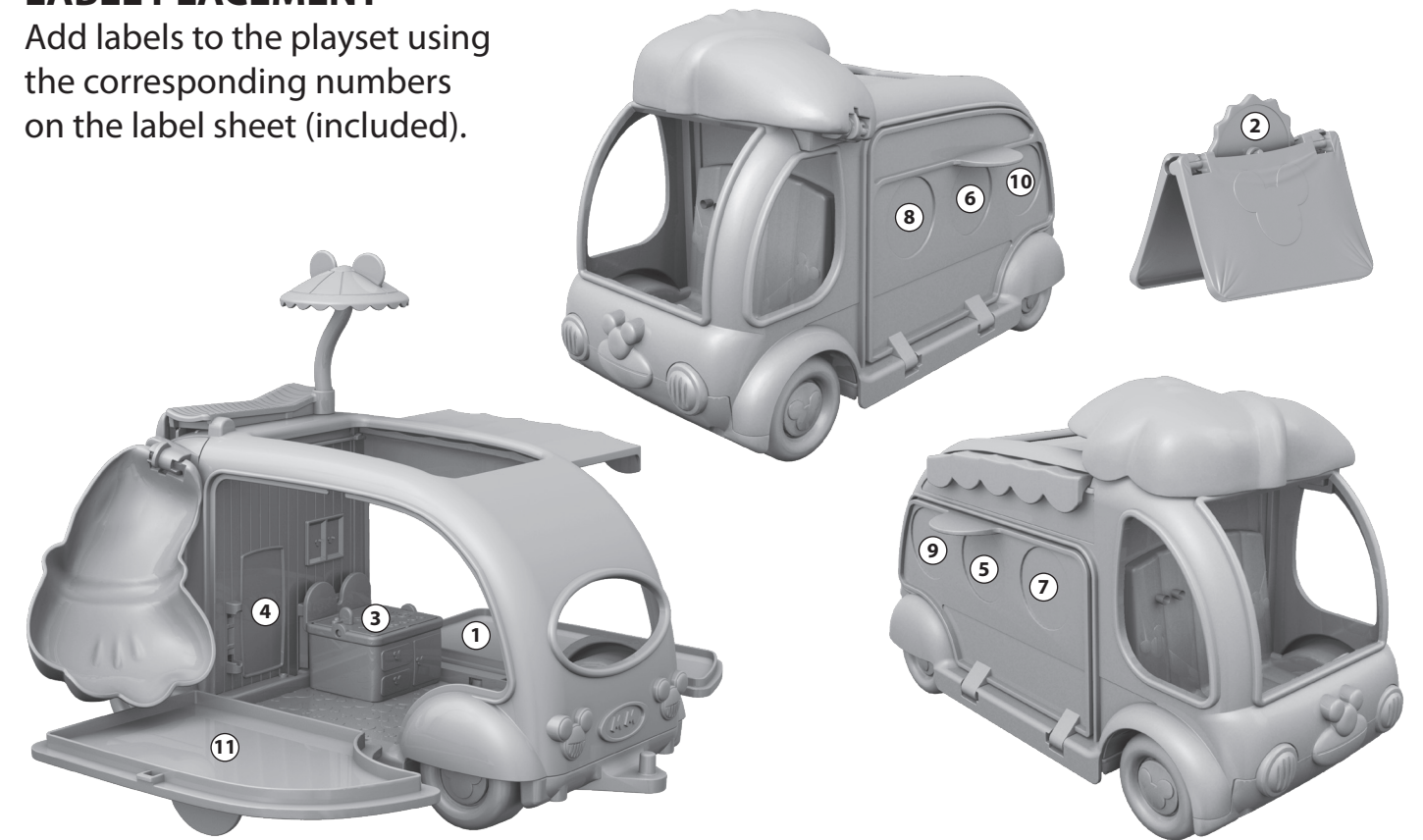
Keep these instructions for future reference as they contain important information.

ASSEMBLY PARTS



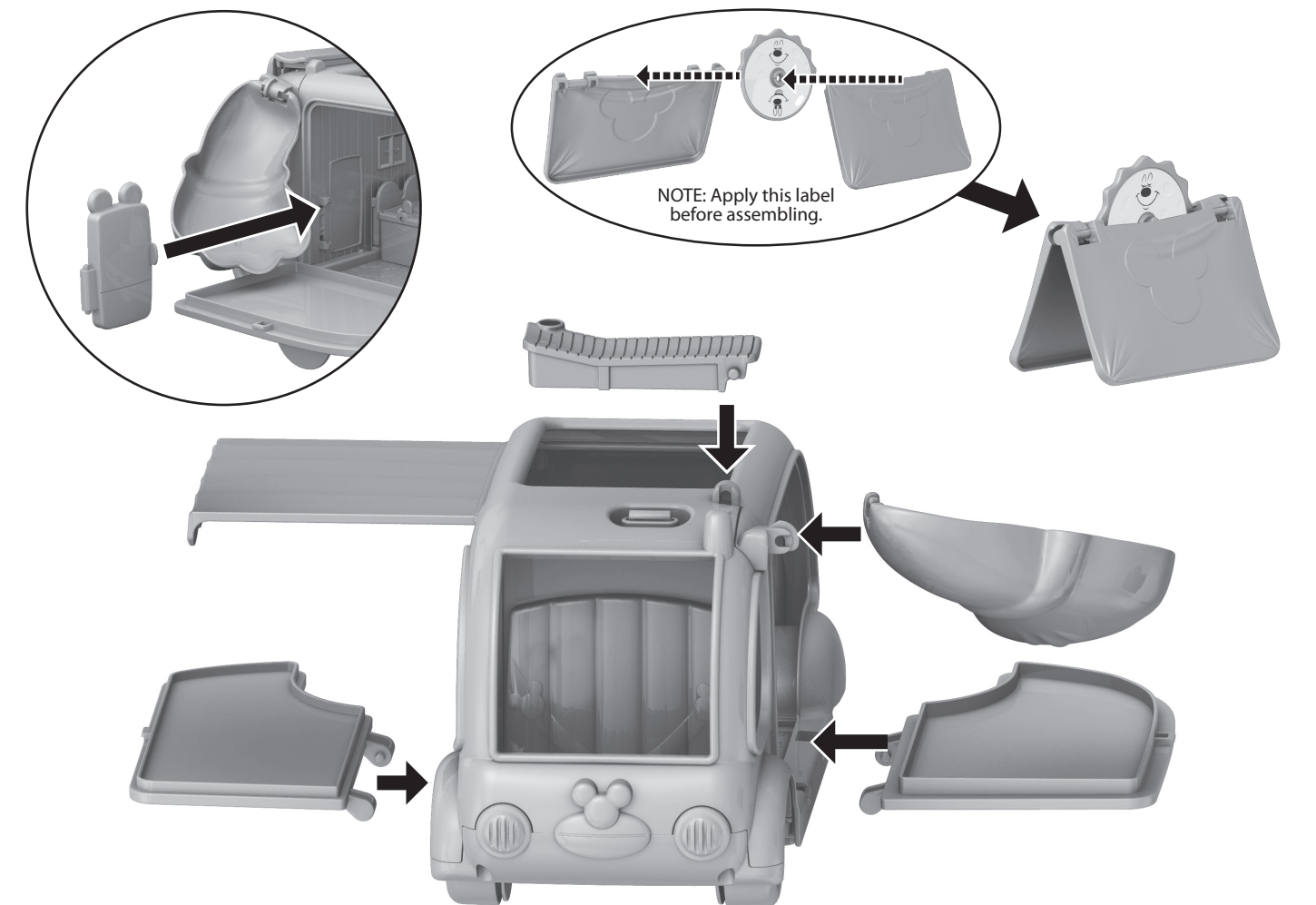
LABEL PLACEMENT

Add labels to the playset using the corresponding numbers on the label sheet (included).



ASSEMBLY

Assemble the camper as shown.



CONSUMER ASSISTANCE
 1-800-432-5437 (US & Canada)
 1300 135 312 (Australia)
service.fisher-price.com

Fisher-Price, Inc., 636 Girard Avenue, East Aurora, NY 14052.
 Hearing-impaired consumers: 1-800-382-7470.

Outside the United States:
 Canada: Mattel Canada Inc., 6155 Freemont Blvd., Mississauga, Ontario L5R 3W2; www.service.mattel.com.
 Great Britain: Mattel UK Ltd, Vanwall Business Park, Maidenhead SL6 4UB. Helpline: 01628 500303. www.service.mattel.com/uk
 Mattel Europa B.V., Gondel 1, 1186 MJ Amstelveen, Nederland.
 Australia: Mattel Australia Pty. Ltd., 658 Church Street, Locked Bag #870, Richmond, Victoria 3121 Australia.
 New Zealand: 16-18 William Pickering Drive, Albany 1331, Auckland.

© Disney
 Visit DisneyJunior.com
 ©2015 Mattel. All Rights Reserved.
 ® and ™ designate U.S. trademarks of Mattel, except as noted.
PRINTED IN CHINA.
 Mattel East Asia Ltd., Room 503-09,
 North Tower, World Finance Centre, Harbour City,
 Tsimshatsui, HK, China.

