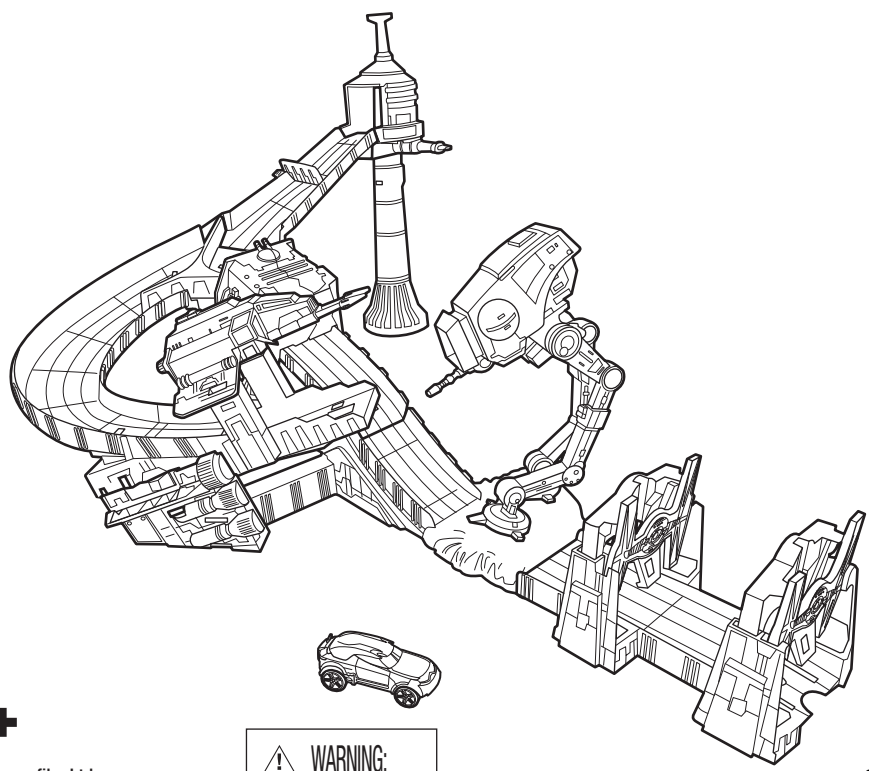


STAR WARS™



TIE FACTORY TAKEDOWN



4+

© & ™ Lucasfilm Ltd.
service.mattel.com
HOTWHEELS.COM

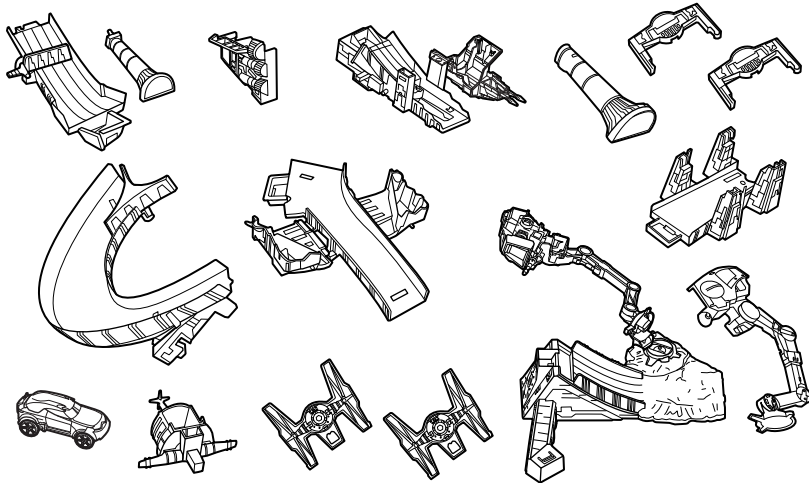
WARNING:
CHOKING HAZARD - Small parts.
Not for children under 3 years.



ASST.CHB13
CLM24-0970-G1
1100679211-00M

PLEASE KEEP THESE INSTRUCTIONS FOR FUTURE REFERENCE AS THEY CONTAIN IMPORTANT INFORMATION.

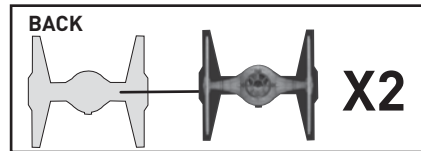
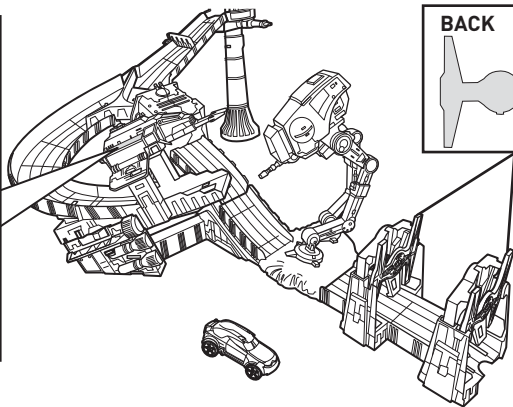
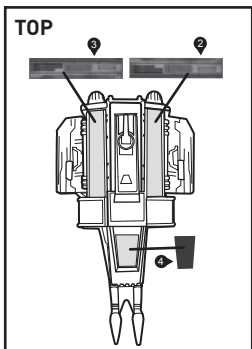
CONTENTS



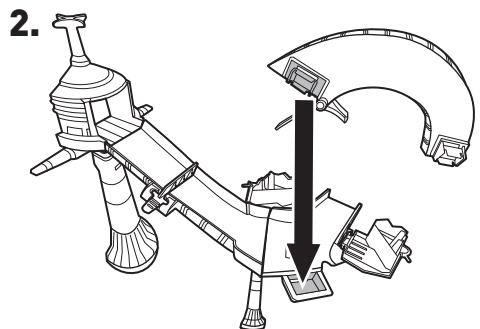
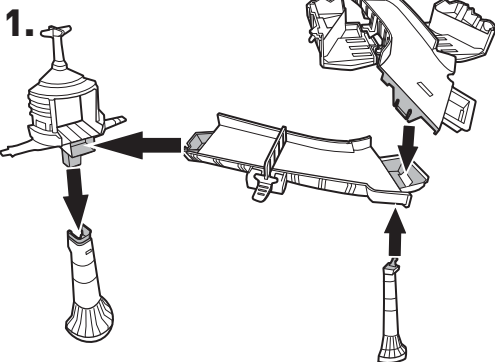
LABEL SHEET



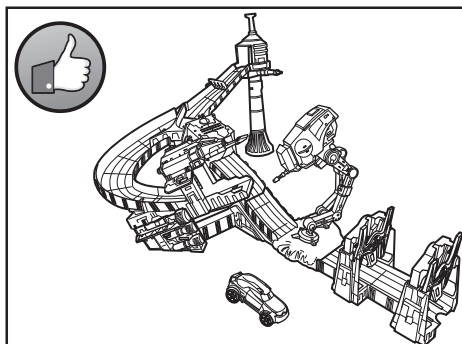
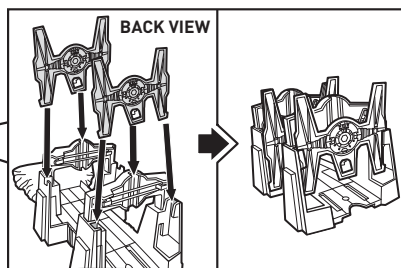
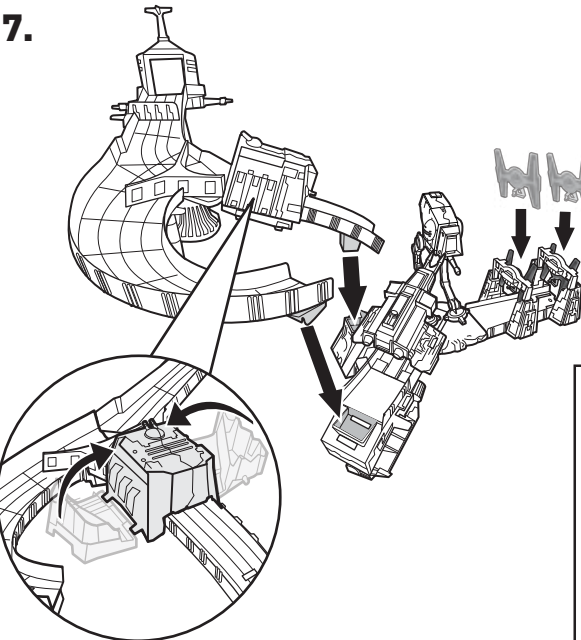
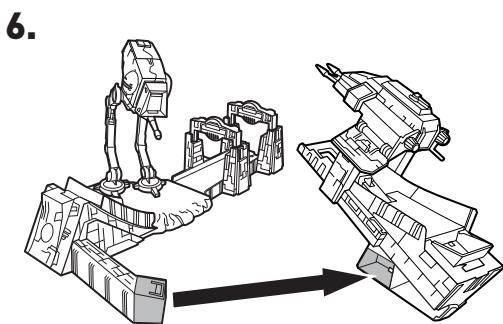
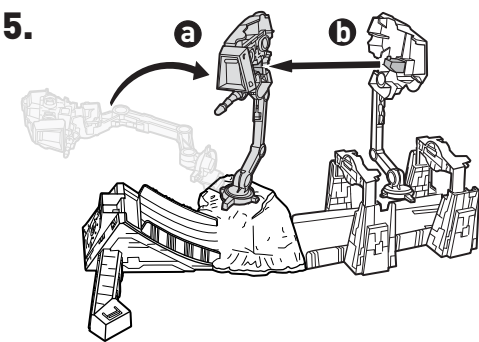
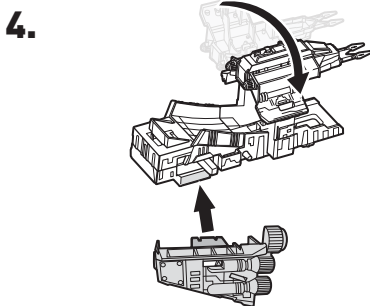
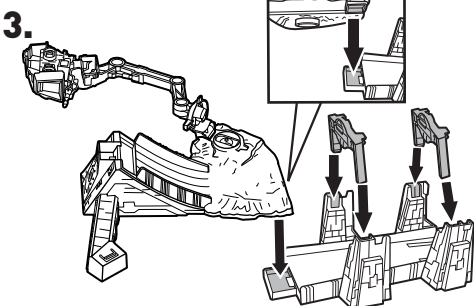
APPLY LABELS



ASSEMBLY

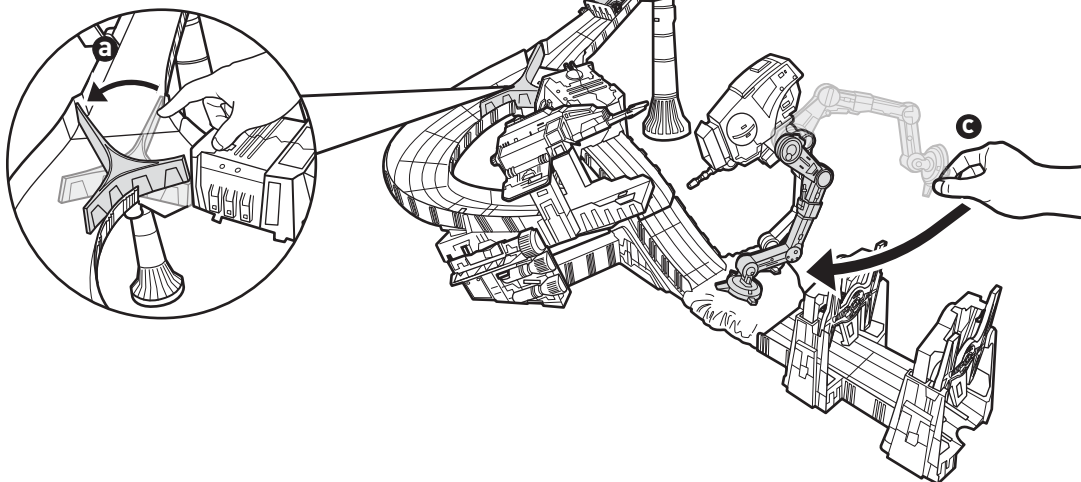


ASSEMBLY (CONTD.)



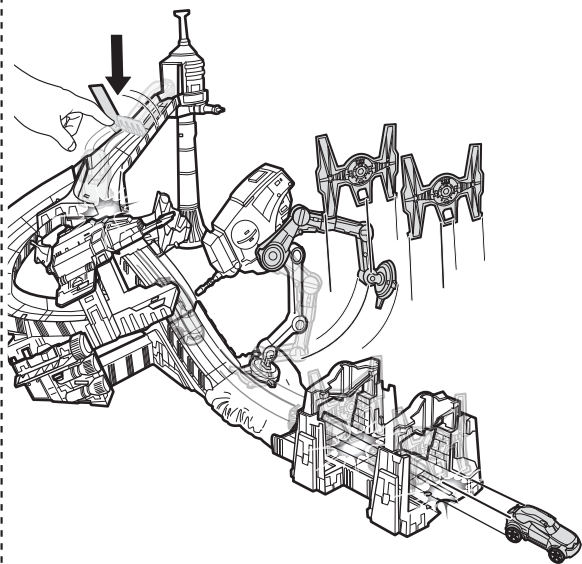
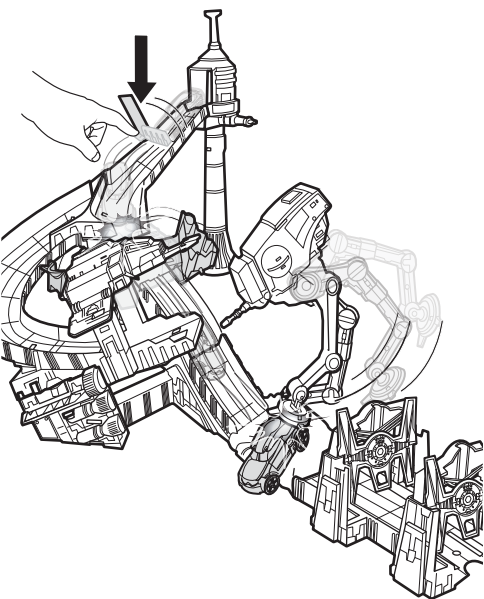
TO PLAY

1. SET DIVERTER, LOAD CAR AND SWING THE AT-DP.



2a. WILL YOU GET KNOCKED OFF?

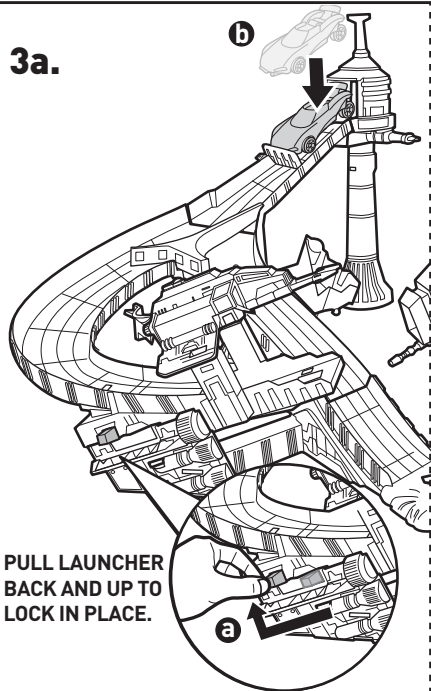
2b. OR GET PAST AND BLOW UP THE FIGHTERS?



TO PLAY (CONTD.)

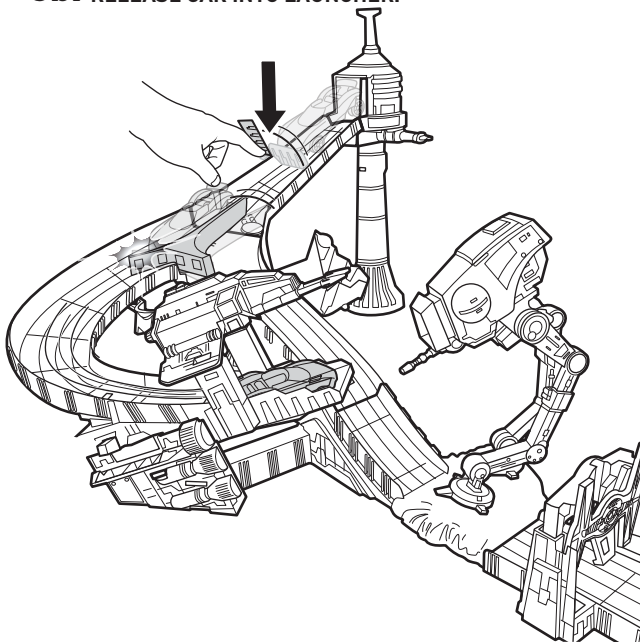
3a.

b

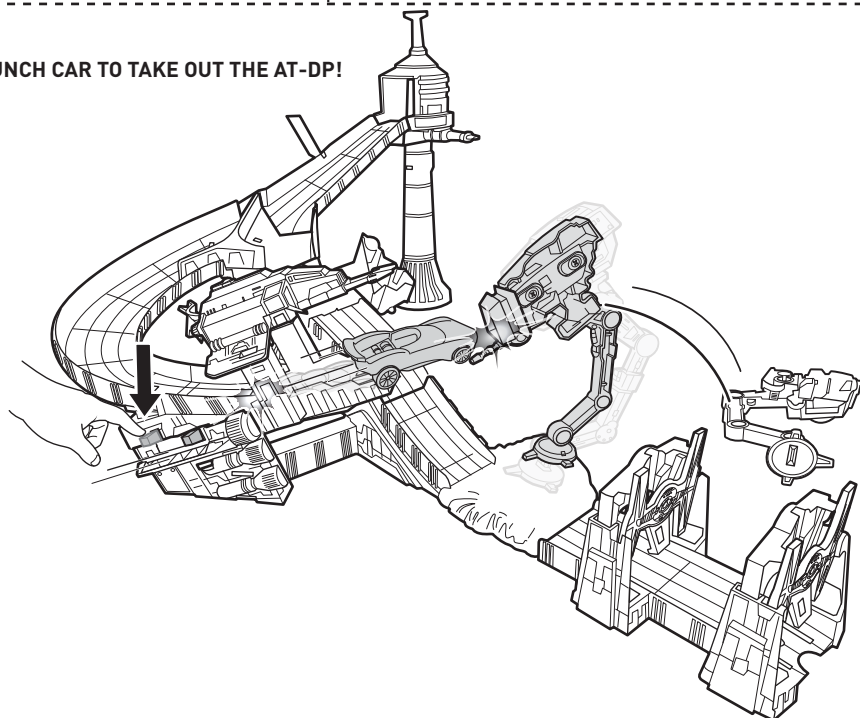


PULL LAUNCHER
BACK AND UP TO
LOCK IN PLACE.

3b. RELEASE CAR INTO LAUNCHER.

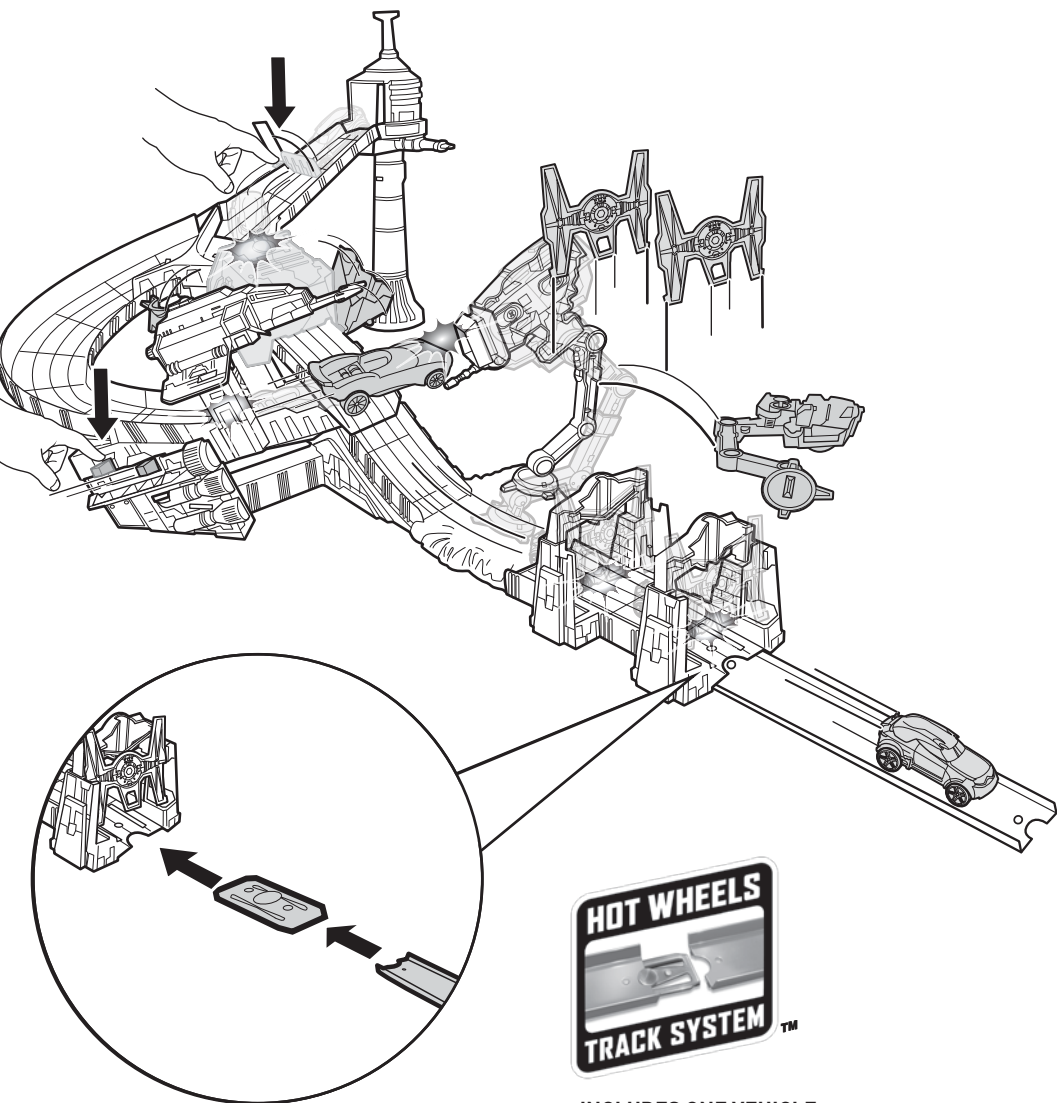


3c. LAUNCH CAR TO TAKE OUT THE AT-DP!



MORE WAYS TO PLAY

TEAM UP WITH A FRIEND. BLAST THE AT-DP APART AND DESTROY THE FIGHTERS TOGETHER.



**CONNECT TO OTHER HOT WHEELS® SETS
(NOT INCLUDED) TO CONTINUE THE RACE!**

**INCLUDES ONE VEHICLE.
ADDITIONAL VEHICLES SOLD SEPARATELY.
NOT FOR USE WITH SOME HOT WHEELS® VEHICLES**

©2015 Mattel. All Rights Reserved. ® and ™ designate U.S. trademarks of Mattel, except as noted. Mattel, Inc., 636 Girard Avenue, East Aurora, NY 14052, U.S.A. Consumer Services 1-800-524-8697. Mattel U.K. Ltd., Vanwall Business Park, Maidenhead SL6 4UB. Helpline 01628 500303. Mattel Australia Pty., Ltd., Richmond, Victoria. 3121.Consumer Advisory Service - 1300 135 312. Mattel East Asia Ltd., Room 503-09, North Tower, World Finance Centre, Harbour City, Tsimshatsui, HK. China. Tel.: (852) 3185-6500. Diimport & Diedarkan Oleh: Mattel Southeast Asia Pte Ltd., No 19-1, Tower 3 Avenue 7, Bangsar South City, No 8, Jalan Kerinchi, 59200 Kuala Lumpur, Malaysia. Tel: 03-78803817, Fax: 03-78803867.