

MAKE EVEN MORE HOT WHEELS® CARS

ADVERTISEMENT



EACH SOLD SEPARATELY, SUBJECT TO AVAILABILITY.
COLORS AND DECORATIONS MAY VARY.

TROUBLESHOOTING TIPS

Mold and syringe do not fit together –

Ensure the mixer is in the mold and rotated to line up with the mold ribs. Push firmly together and then twist 90 degrees.

Syringe is loose when attached to mold –

Ensure that the mixer is in the mold before assembly.

Molded car is soft/sticky/not cured –

Ensure that the mixer stick is inside the mixer tube before assembly.

Assembled car doesn't roll smoothly –

Check that all the mold flash is removed from the wheel arches.

Drops of Fusion Fluid in the Factory or body mold –

Wipe with a cloth for easy clean-up.

Ford Motor Company Trademarks and Trade Dress used under license to Mattel, Inc.

CONSUMER INFORMATION

Need Assistance? Visit service.mattel.com or call 1-800-524-8697 (US and Canada only).

SERVICE.MATTEL.COM

©2016 Mattel. All Rights Reserved. Mattel, Inc., 636 Girard Avenue, East Aurora, NY 14052, U.S.A. Consumer Services 1-800-524-8697. Mattel U.K. Ltd., Vanwall Business Park, Maidenhead SL6 4UB. Helpline 01628 500303. Mattel Australia Pty., Ltd., Richmond, Victoria. 3121. Consumer Advisory Service - 1300 135 312. Mattel East Asia Ltd., Room 503-09, North Tower, World Finance Centre, Harbour City, Tsimshatsui, HK, China. Tel.: (852) 3185-6500. Diimport & Diedarkan Oleh: Mattel Southeast Asia Pte. Ltd., No 19-1, Tower 3 Avenue 7, Bangsar South City, No 8, Jalan Kerinchi, 59200 Kuala Lumpur, Malaysia. Tel: 03-78803817, Fax: 03-78803867.

HotWheels

FUSION FACTORY™



MAKE YOUR OWN HOT WHEELS® CARS!



BAJA TRUCK



VELOCITA



6+

service.mattel.com
HOTWHEELS.COM
D6C96-097063

WARNING:
CHOKING HAZARD – Small parts.
Not for children under 3 years.

COLORS AND DECORATIONS MAY VARY.

CAR BUILDING GUIDE

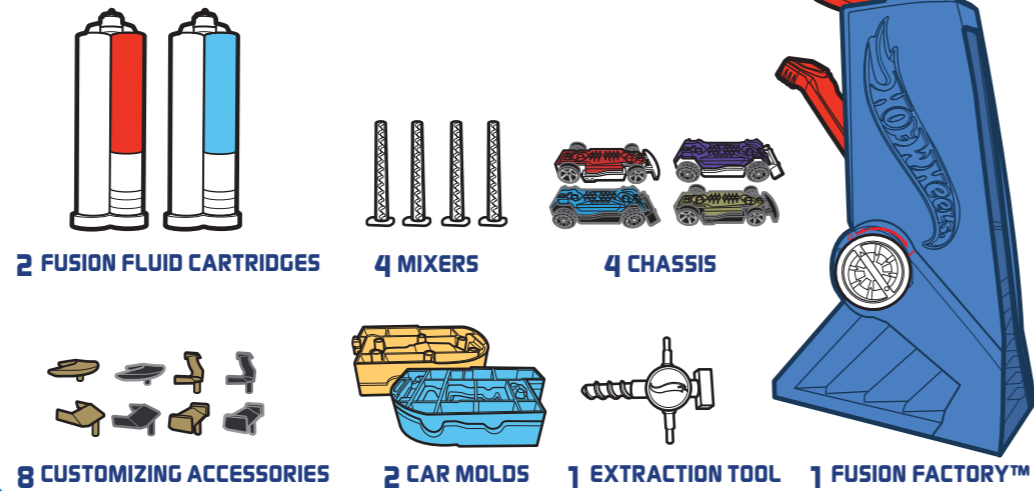
FUSION FLUID MAY STAIN OR STICK TO SOME SURFACES. PROTECT PLAY AREA BEFORE USE.
PLEASE KEEP THESE INSTRUCTIONS FOR FUTURE REFERENCE AS THEY CONTAIN IMPORTANT INFORMATION.

WELCOME TO THE WORLD OF CHEMICAL FUSION!

Hot Wheels® Fusion Factory™ is the machine that safely turns a liquid into a solid so you can design and build your own Hot Wheels® cars! This Car Building Guide includes operation and assembly instructions, as well as experiments and lessons that encourage kids to learn about science and technology, along with cool tips to help make each car a uniquely customized creation!

WHAT YOU GET

INCLUDES:

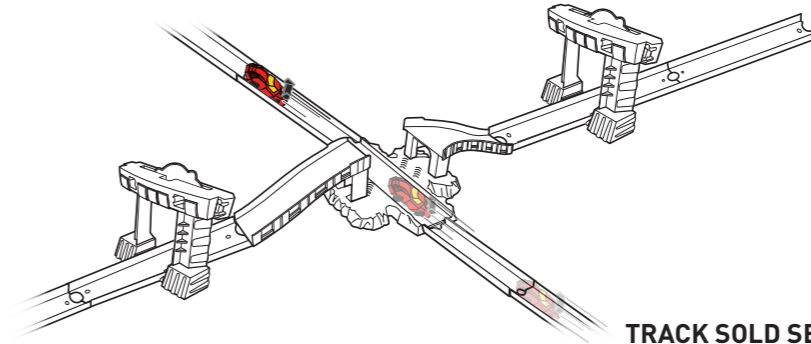


MORE PLAY IDEAS

STORE YOUR CAR MOLDS!

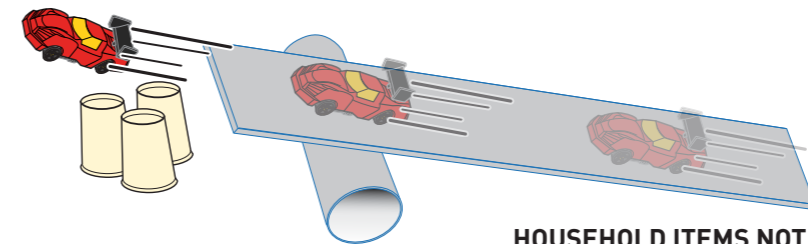


RACE ON OR OFF YOUR HOT WHEELS® TRACK



TRACK SOLD SEPARATELY.

MAKE UP YOUR OWN WILD STUNTS



HOUSEHOLD ITEMS NOT INCLUDED.

PARENTS:
FOR EPIC TRACK IDEAS, HOW-TO VIDEOS AND AWESOME ENTERTAINMENT, CHECK OUT THE HOT WHEELS® YOUTUBE CHANNEL!
WWW.YOUTUBE.COM/HOTWHEELS



SCIENCE

HOW TO CHANGE A LIQUID INTO A SOLID USING TEMPERATURE.



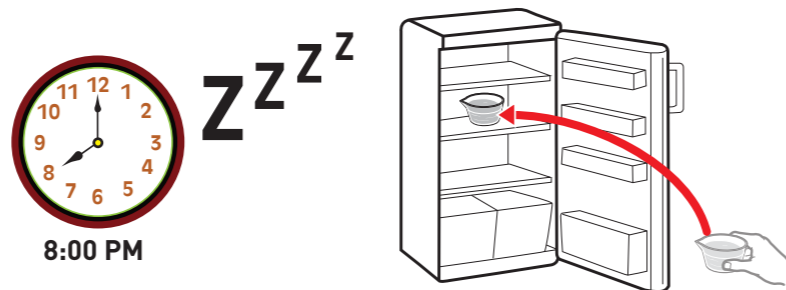
WATER IS A LIQUID THAT FREEZES INTO SOLID ICE WHEN THE TEMPERATURE DROPS BELOW 32°F.

HERE'S AN EXPERIMENT YOU CAN DO IN THE KITCHEN WITHOUT USING YOUR FUSION FACTORY™ TO SEE FOR YOURSELF!

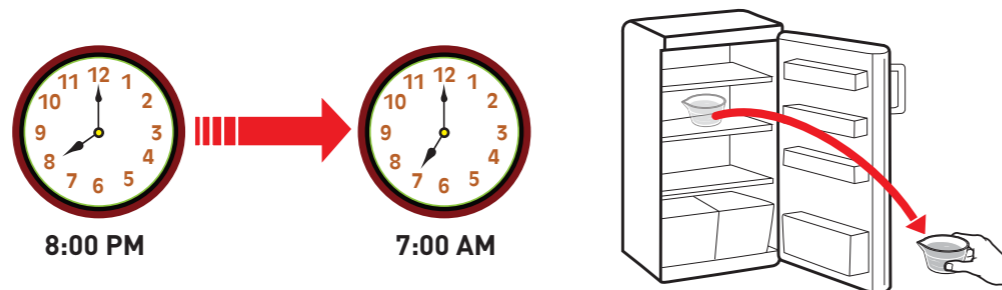
1 FILL A CUP WITH WATER.



2 PUT IT INSIDE YOUR FREEZER BEFORE YOU GO TO BED.



3 TAKE THE CUP OUT OF THE FREEZER WHEN YOU WAKE UP. WHAT HAS HAPPENED?



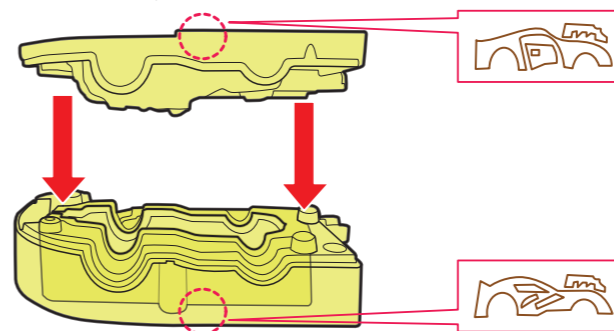
PUT THE CAR BODY MOLD TOGETHER



1 MATCH CAR MOLD HALVES USING THE ICON PRINTED ON EACH PIECE.

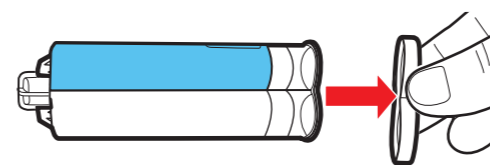
2 ALIGN THE SEAMS AND PRESS THE HALVES TOGETHER, INSERTING THE PEGS INTO THE HOLES.

FOR INSTRUCTIONAL VIDEOS, VISIT WWW.HOTWHEELS.COM/FUSIONFACTORY

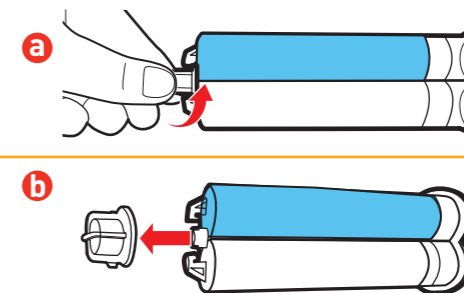


ATTACH THE FUSION FLUID CARTRIDGE

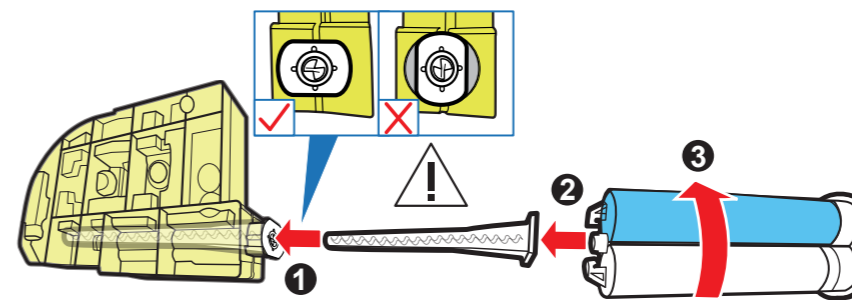
1 POP OFF THE BOTTOM CARTRIDGE COVER.



2 TWIST & REMOVE THE TOP CARTRIDGE LID.



3 SLIDE MIXER ALL THE WAY INTO THE CAR MOLD. INSERT CARTRIDGE. TWIST CLOCKWISE TO LOCK THE PIECES TOGETHER.



PUMP THE FUSION FLUID INTO THE FACTORY!

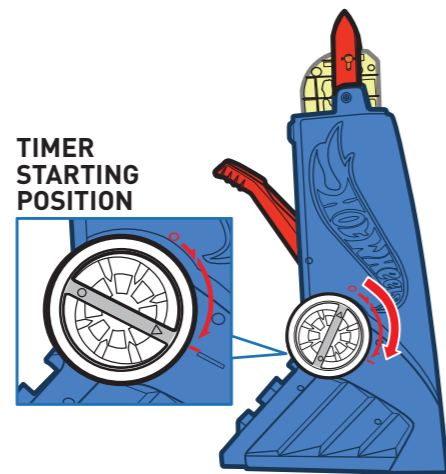
- 1** LOAD CAR MOLD INTO FUSION FACTORY™ AND PRESS DOWN UNTIL IT STOPS.



- 2** LOCK HANDLE IN UPRIGHT POSITION.



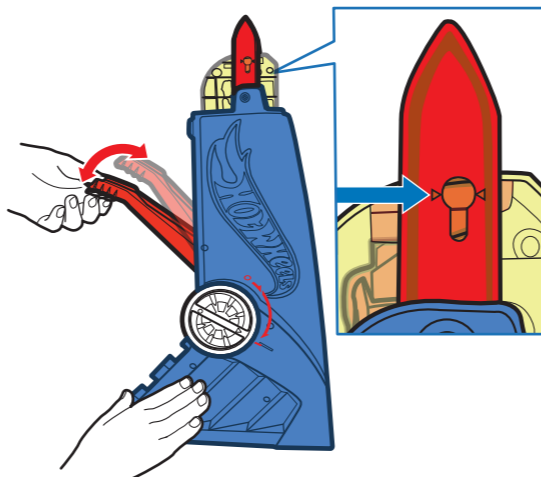
- 3** TWIST TIMER TO THE RIGHT UNTIL IT STOPS.



TIMER
STARTING
POSITION

IMPORTANT: AFTER TIMER IS SET, IMMEDIATELY BEGIN PUMPING OF THE FUSION FACTORY™ LEVER SLOWLY AND STEADILY. ALL PUMPING SHOULD BE COMPLETED AROUND 60 SECONDS.

- 4** HOLD THE BASE AND SLOWLY PUMP THE LEVER 7-10 TIMES. HOLD THE LEVER FOR AT LEAST 3 SECONDS AT THE BOTTOM OF EACH PUMP. DON'T PUMP TOO FAST!



IMPORTANT: CONTINUE PUMPING UNTIL YOU SEE FUSION FLUID REACH THE LEVEL INDICATOR ON THE HANDLE OR IF THE LEVER TENSION RELEASES.

4

SCIENCE

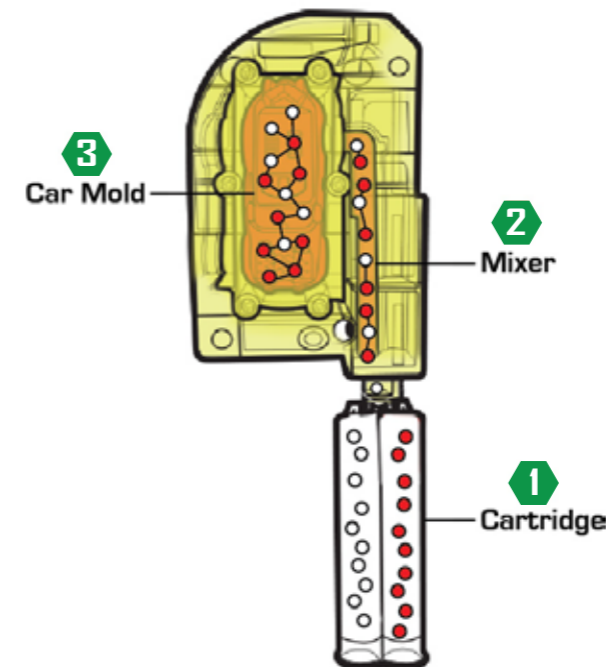
HOW DOES FUSION FACTORY™ TURN A LIQUID INTO A SOLID?



ANYTHING THAT TAKES UP SPACE IN THIS WORLD IS MATTER. TIRE. WHEELS. ENGINES. EVERYTHING!

ALL MATTER CAN MOVE FROM ONE STATE TO ANOTHER, FROM LIQUID TO SOLID, FROM GAS TO LIQUID, YOU NAME IT. IT JUST NEEDS THE RIGHT TEMPERATURE, PRESSURE, AND/OR CHEMICAL REACTION TO MAKE IT CHANGE. THIS IS WHAT SCIENTISTS CALL "CHANGING STATES OF MATTER." YOUR FUSION FACTORY™ DOES THIS, TOO. IN FACT, IT TURNS TWO LIQUIDS INTO A SOLID. HOW?

- 1** EACH FUSION FLUID CARTRIDGE CONTAINS TWO SPECIAL LIQUIDS THAT LINK TOGETHER WHEN COMBINED.



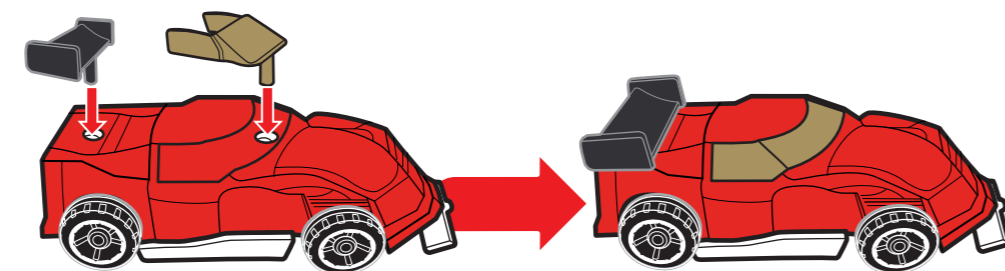
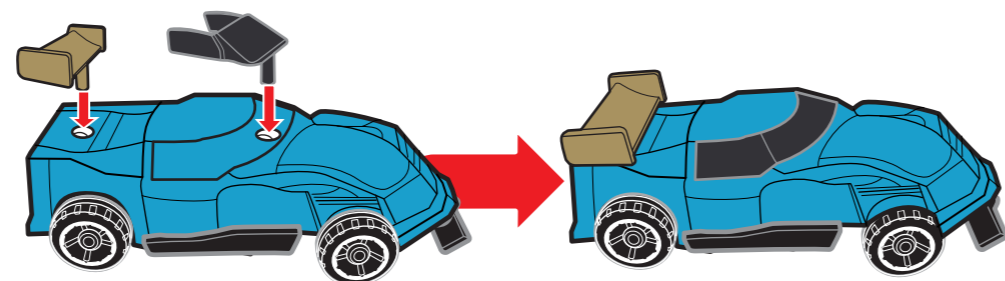
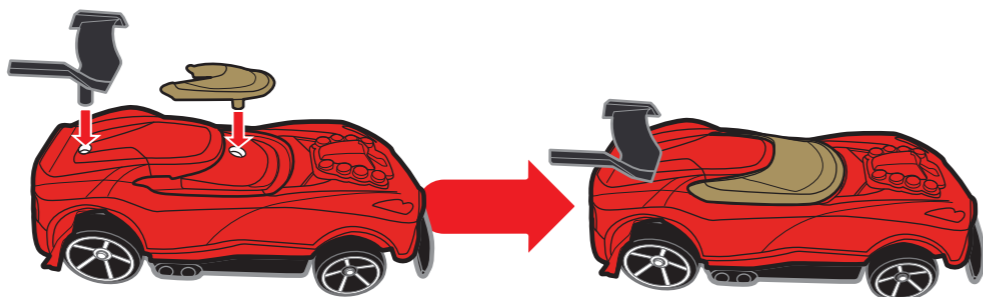
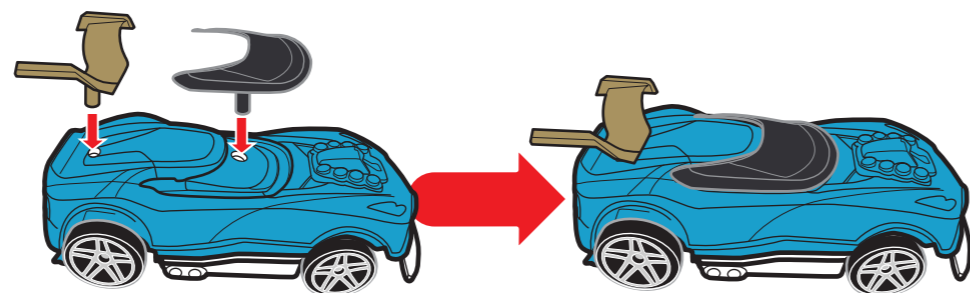
- 2** WHEN YOU PUMP THE FUSION FACTORY™ LEVER YOU CREATE PRESSURE THAT MIXES THE TWO LIQUIDS TOGETHER IN A SPECIAL MIXING TUBE.

- 3** THE COMBINED MATERIALS UNDERGO A CHEMICAL REACTION AND BOND TOGETHER INSIDE THE CAR BODY MOLD TO MAKE THEM STRONGER.

- 4** WHEN YOU OPEN THE MOLD, THE TWO LIQUIDS HAVE FUSED INTO A SOLID CAR BODY AND YOU HAVE NOW CAUSED A CHANGE IN STATE OF MATTER!

9

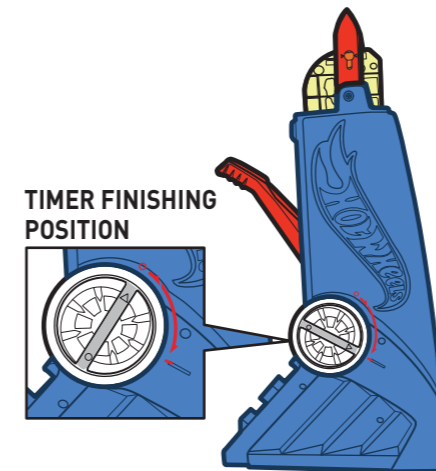
USE YOUR CREATIVITY TO CUSTOMIZE YOUR HOT WHEELS® CAR!



NOTE: SOME ACCESSORIES MIGHT NOT WORK WITH ALL VEHICLES.

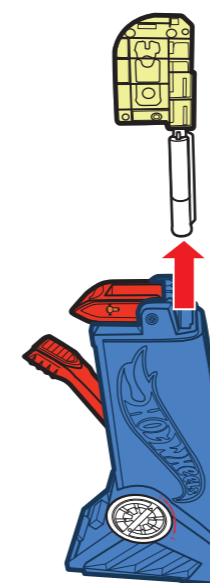
TIME'S UP! OPEN THE FUSION FACTORY™

1 THE TIMER WILL CLICK OFF IN AROUND 10 MINUTES.

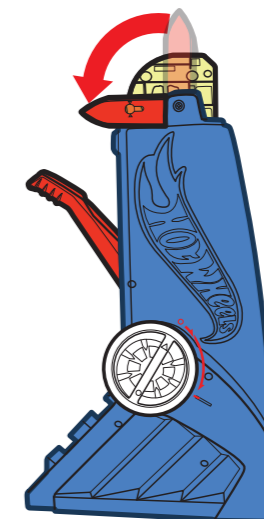


IMPORTANT: HANDLE CANNOT BE RELEASED UNTIL THE TIMER STOPS.

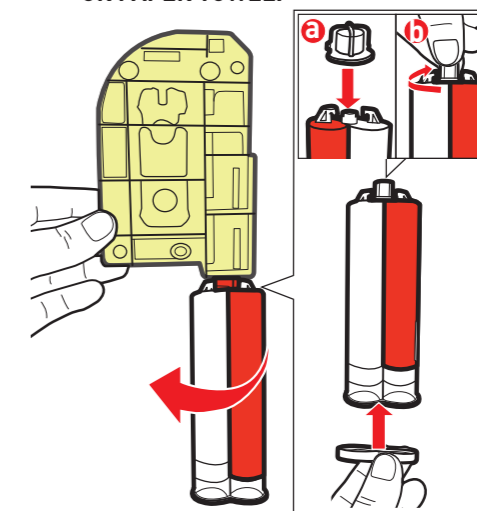
3 REMOVE THE CAR MOLD.



2 WHEN THE TIMER IS DONE, PUSH DOWN THE HANDLE TO RELEASE THE CAR MOLD.



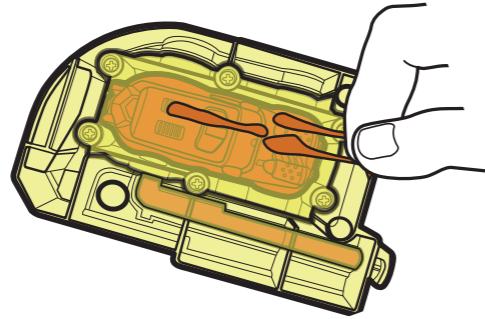
4 TWIST & UNLOCK THE FUSION FLUID CARTRIDGE. IF ANY DRIPS OCCUR, QUICKLY AND EASILY WIPE THEM UP WITH A CLOTH OR PAPER TOWEL.



REPLACE BOTH CAPS AND SAVE THE CARTRIDGE. EACH CARTRIDGE MAKES 2 CAR BODIES!

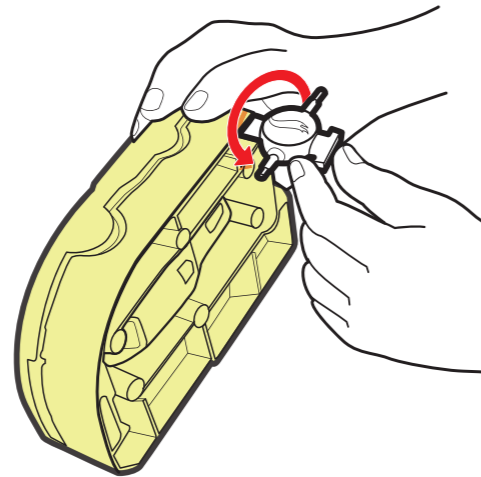
TAKE YOUR CAR BODY OUT OF THE MOLD!

- 1** PULL AND REMOVE THE EXCESS MATERIAL OUTSIDE THE CAR MOLD.

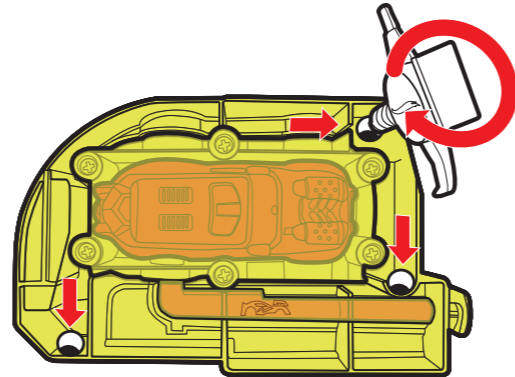


CAUTION: A FEW DROPS OF FUSION FLUID MAY DRIP FROM THE MOLD.

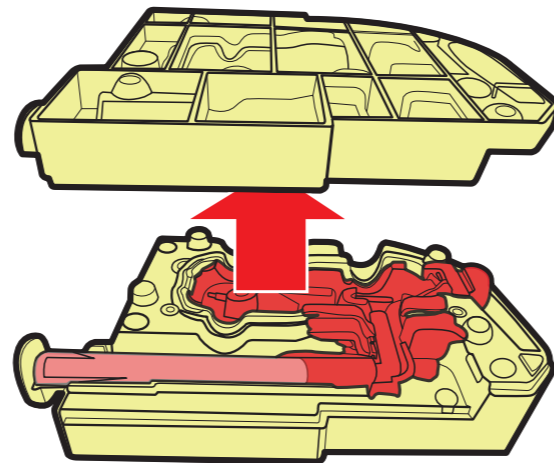
- 3** WHEN THE HALVES SEPARATE, REMOVE THE EXTRACTION TOOL.



- 2** SCREW IN THE EXTRACTION TOOL IN THE SLOTS INDICATED TO SEPARATE THE MOLD HALVES.



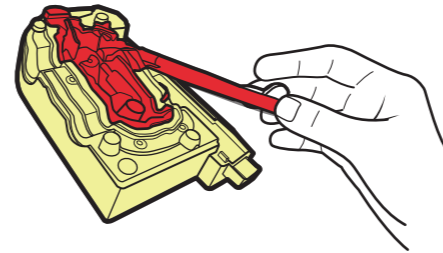
- 4** OPEN THE CAR MOLD.



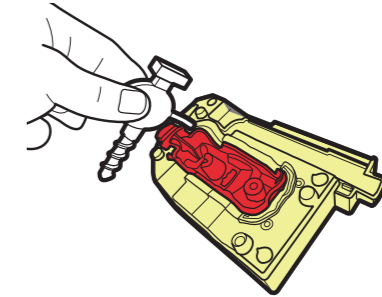
6

BUILD YOUR NEW HOT WHEELS® CAR!

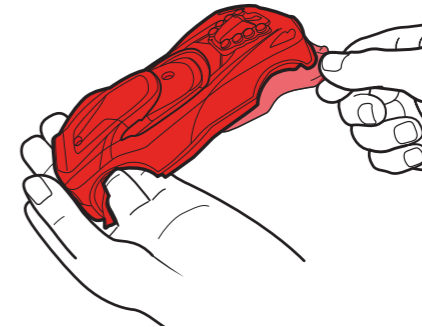
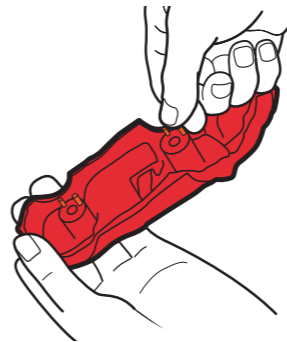
- 1** REMOVE MIXER TUBE FROM CAR MOLD AND DISCARD.



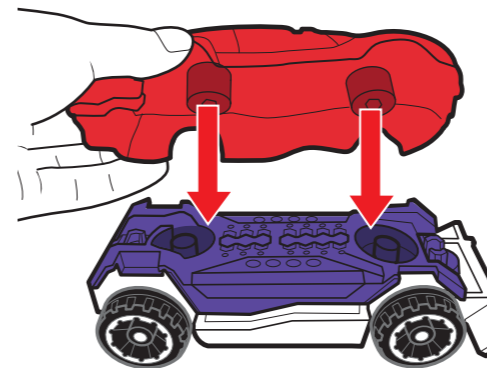
- 2** HOOK THE EXTRACTION TOOL INTO THE MOLD RESERVOIR AND PULL OUT THE CAR BODY.



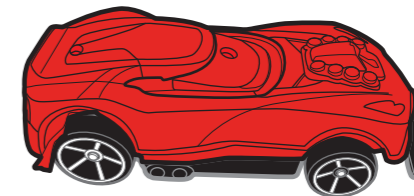
- 3** REMOVE EXCESS MATERIAL. MAKE SURE THE WHEEL OPENINGS ARE CLEAR.



- 4** ATTACH THE CAR BODY TO THE CHASSIS USING THE LOCATION PINS.



- 5** YOUR NEW HOT WHEELS® CAR IS READY TO CUSTOMIZE!



7