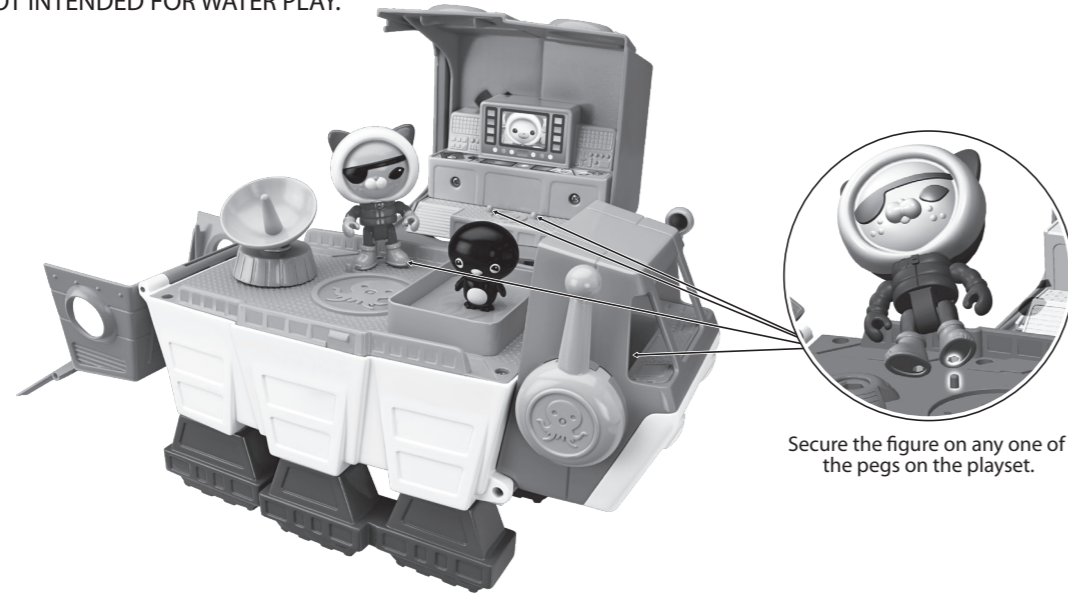


## HOW TO PLAY

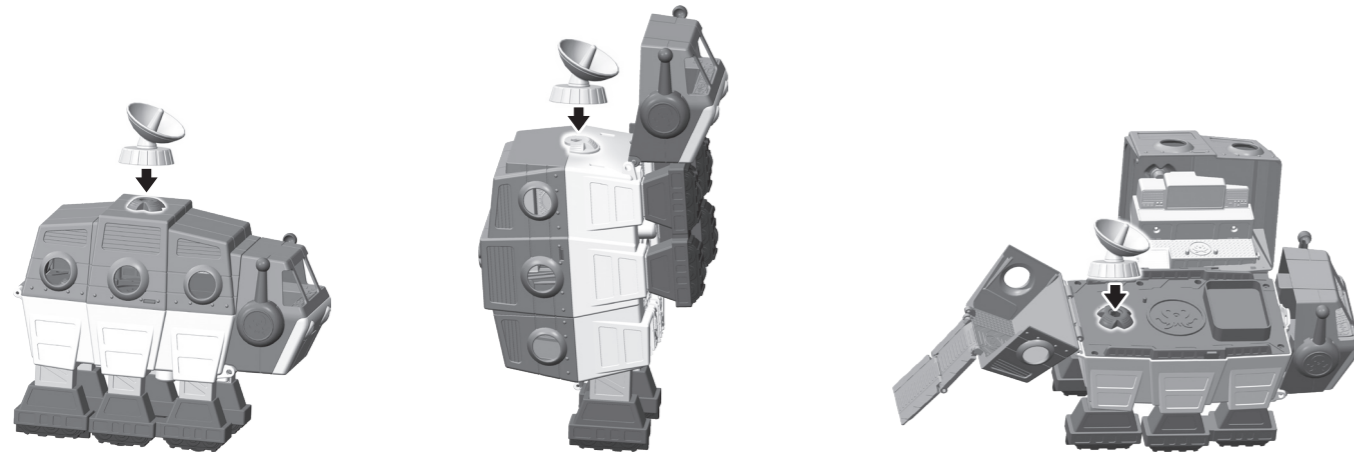
**NOTE:** THIS TOY IS NOT INTENDED FOR WATER PLAY.



Secure the figure on any one of the pegs on the playset.

### SATELLITE DISH

You can secure the SATELLITE DISH onto one of the 3 base station shapes located throughout the playset:



On top of playset in WATER BEAR MODE.

On the top platform in SCOUT MODE.

On the main deck in COMMAND CENTER MODE.

**CONSUMER ASSISTANCE**  
1-800-432-5437 (US & Canada)  
1300 135 312 (Australia)  
**service.fisher-price.com**

Fisher-Price, Inc., 636 Girard Avenue, East Aurora, NY 14052.  
Hearing-impaired consumers: 1-800-382-7470.

#### Outside the United States:

Canada: Mattel Canada Inc., 6155 Freemont Blvd., Mississauga, Ontario L5R 3W2; www.service.mattel.com.

Great Britain: Mattel UK Ltd, Vanwall Business Park, Maidenhead SL6 4UB. Helpline: 01628 500303.  
www.service.mattel.com/uk

Mattel Europa B.V., Gondel 1, 1186 MJ Amstelveen, Nederland.

Australia: Mattel Australia Pty. Ltd., 658 Church Street, Locked Bag #870, Richmond, Victoria 3121 Australia.

New Zealand: 16-18 William Pickering Drive, Albany 1331, Auckland.

OCTONAUTS™ OCTOPOD™ Meomi Design Inc.  
OCTONAUTS Copyright © 2015 Vampire Squid Productions Ltd, a member of the Silvergate Media group of companies. All rights reserved.

©2015 Mattel. All Rights Reserved.  
® and ™ designate U.S. trademarks of Mattel, except as noted.  
**PRINTED IN CHINA.**

Mattel East Asia Ltd., Room 503-09, North Tower, World Finance Centre, Harbour City, Tsimshatsui, HK, China.

**Silver GATE**  
Based on the books by  
**meomi**

**DGF42**

DGF42-0970 / 1100762900-DOM

**Fisher-Price**

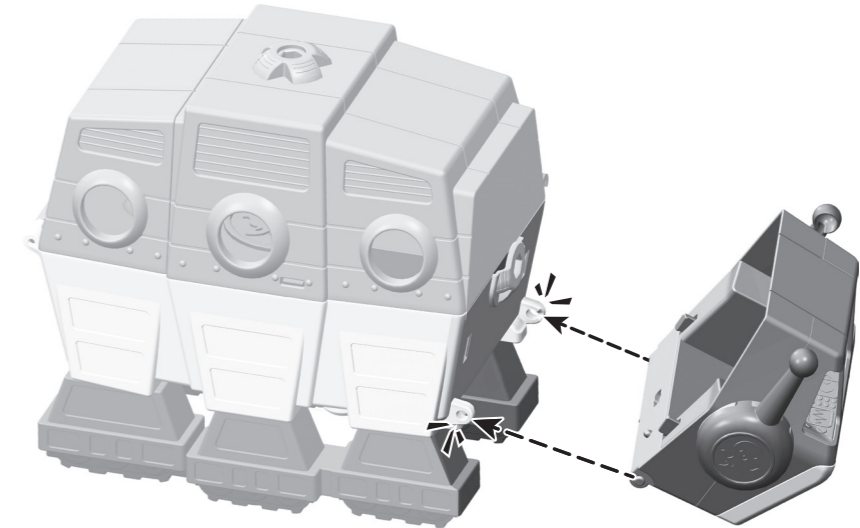
**OCTONAUTS**

# Cup-I Transforming Polar Vehicle

## INSTRUCTIONS

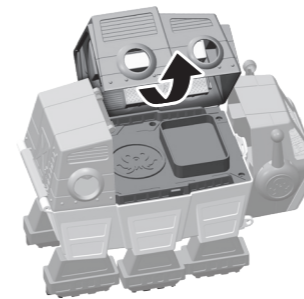
Keep these instructions for future reference as they contain important information.

### ASSEMBLY

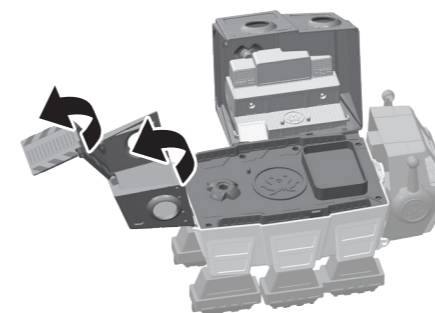


### HOW TO TRANSFORM INTO 3 MODES

#### COMMAND CENTER MODE

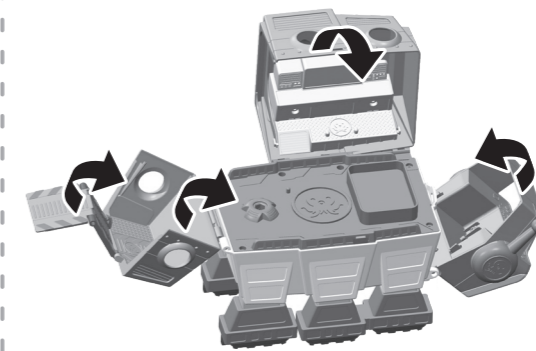


Raise the roof by pulling on the center porthole to release and lift.

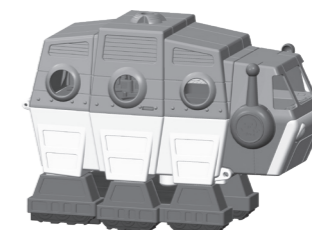


Fold down the rear ramp.

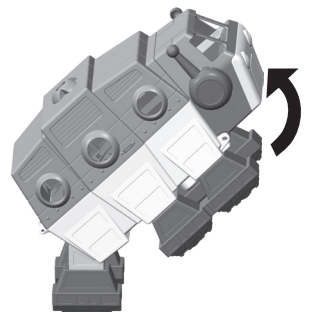
#### WATER BEAR MODE



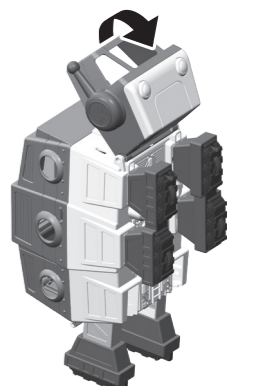
Fold in the ramp and close the roof. Fold the front cab inward.



#### SCOUT MODE



Hold the rear legs against the ground and lift the body upwards until it is in a standing position.



Pivot the front cab forward.