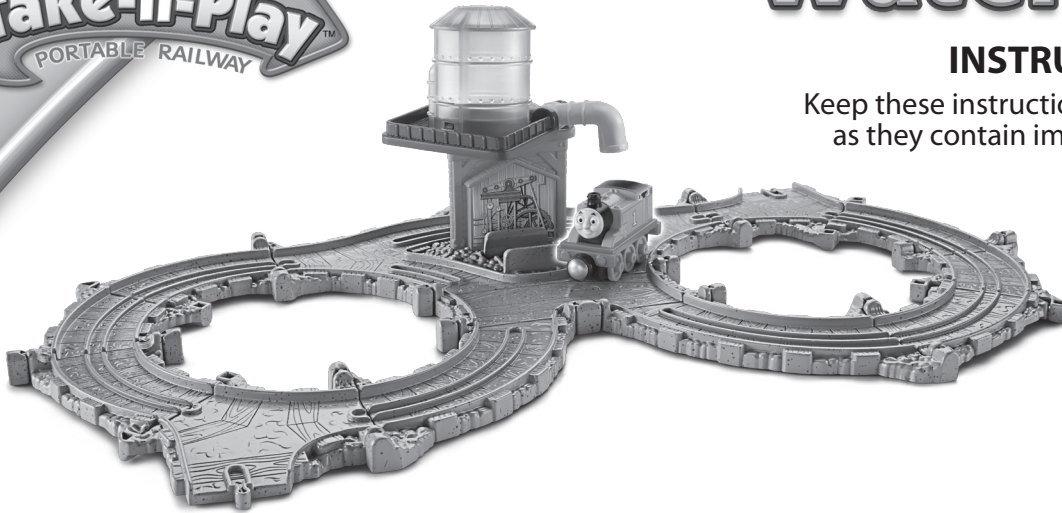




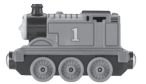
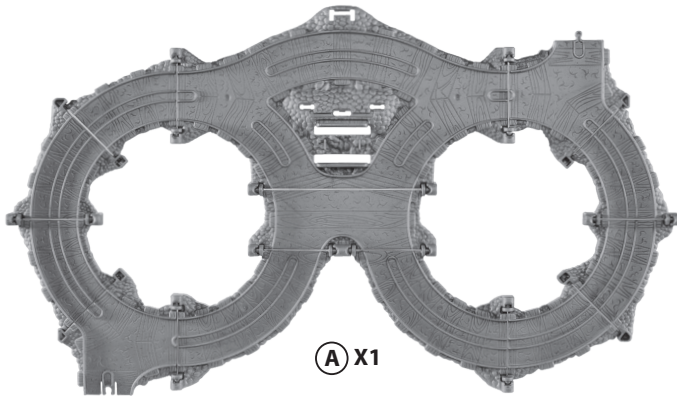
Thomas at the Water Tower

INSTRUCTIONS

Keep these instructions for future reference as they contain important information.



WHAT'S INCLUDED



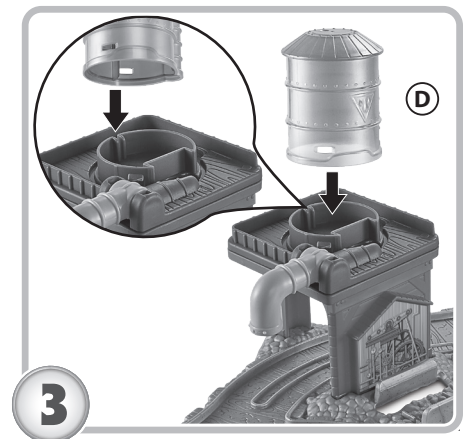
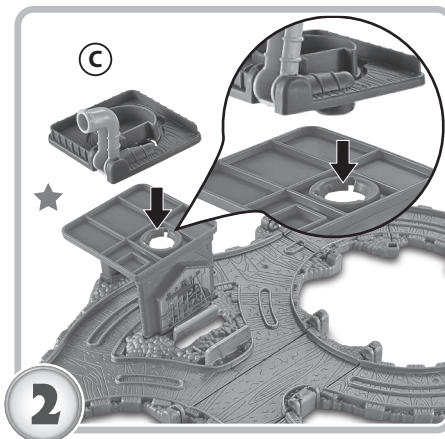
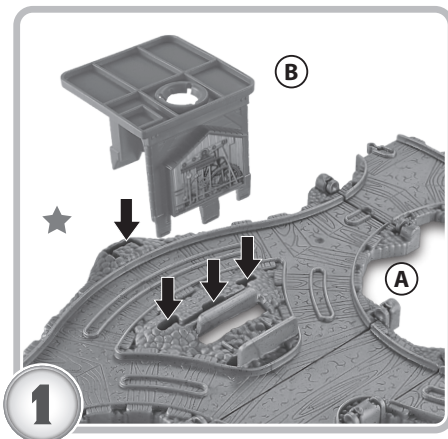
HELPFUL HINTS

ONE-TIME SNAPS

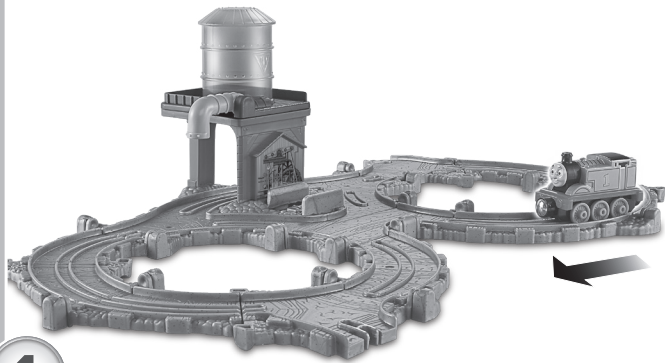
Assembly steps that are marked with a star (★) are “one-time snaps”. Once these parts are put together, they cannot be taken apart.

ADULT ASSEMBLY REQUIRED. No tools needed.

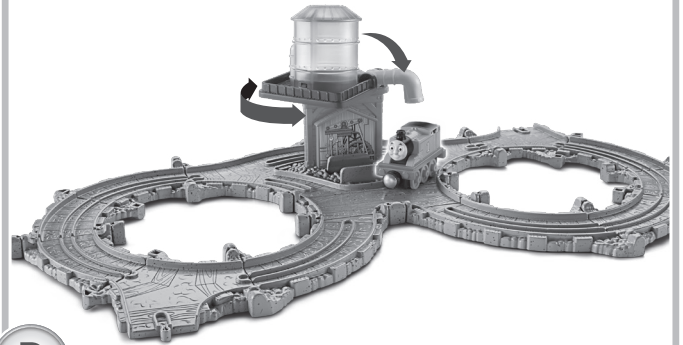
ASSEMBLY



HOW TO PLAY

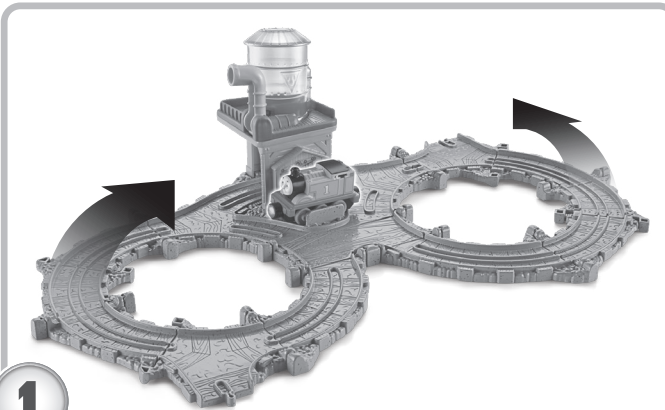


1

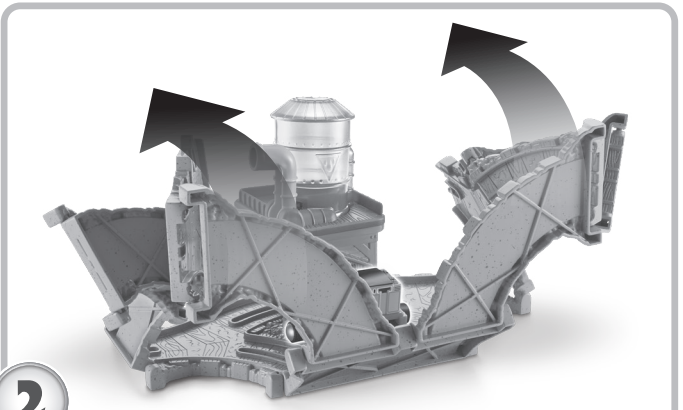


2

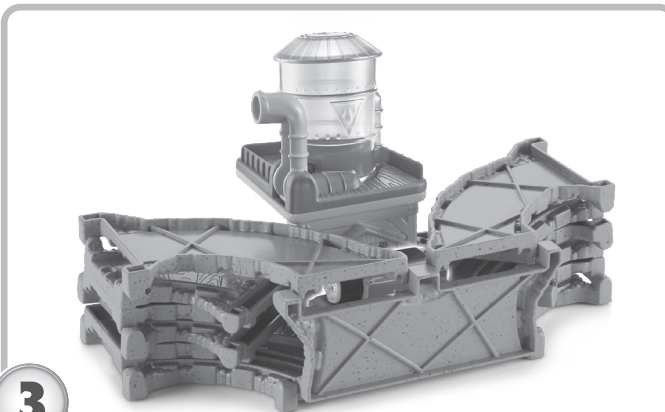
FOLD



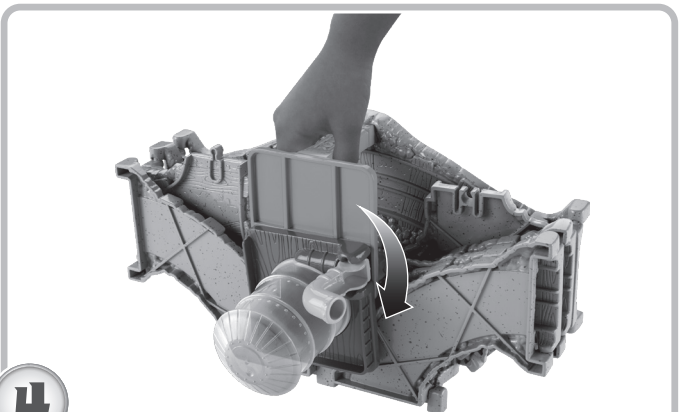
1



2



3



4



CONSUMER ASSISTANCE

1-800-432-5437 (US & Canada)
1300 135 312 (Australia)

service.fisher-price.com

Fisher-Price, Inc., 636 Girard Avenue, East Aurora, NY 14052.
Hearing-impaired consumers: 1-800-382-7470.

Outside the United States:

Canada: Mattel Canada Inc., 6155 Freemont Blvd.,
Mississauga, Ontario L5R 3W2; www.service.mattel.com.

Great Britain: Mattel UK Ltd, Vanwall Business Park,
Maidenhead SL6 4UB. Helpline: 01628 500303.
www.service.mattel.com/uk

Mattel Europa B.V., Gondel 1, 1186 MJ Amstelveen, Nederland.

Australia: Mattel Australia Pty. Ltd., 658 Church Street,
Locked Bag #870, Richmond, Victoria 3121 Australia.

New Zealand: 16-18 William Pickering Drive,
Albany 1331, Auckland.

Thomas the Tank Engine & Friends™



CREATED BY BRITT ALLCROFT

Based on the Railway Series by The Reverend W Awdry.

©2015 Gullane (Thomas) Limited. Thomas the Tank Engine & Friends and
Thomas & Friends are trademarks of Gullane (Thomas) Limited.

©2015 HIT Entertainment Limited. HIT and the HIT logo are trademarks of
HIT Entertainment Limited.

©2015 Mattel. All Rights Reserved.

® and ™ designate U.S. trademarks of Mattel, except as noted.

PRINTED IN CHINA.

Mattel East Asia Ltd., Room 503-09, North Tower,
World Finance Centre, Harbour City, Tsimshatsui, HK, China.
Tel.: (852) 3185-6500.

DGK90

DGK90-0970
1100602866-DOM



Fisher-Price®