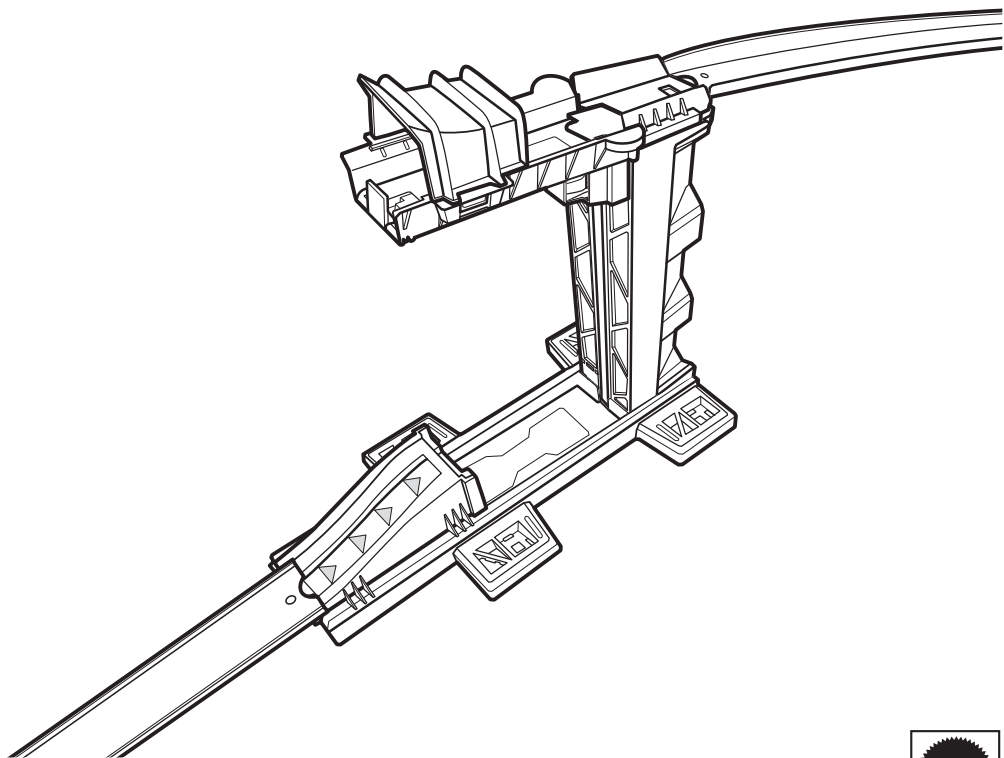




LIFT & LAUNCH[®]



4+

service.mattel.com
HOTWHEELS.COM

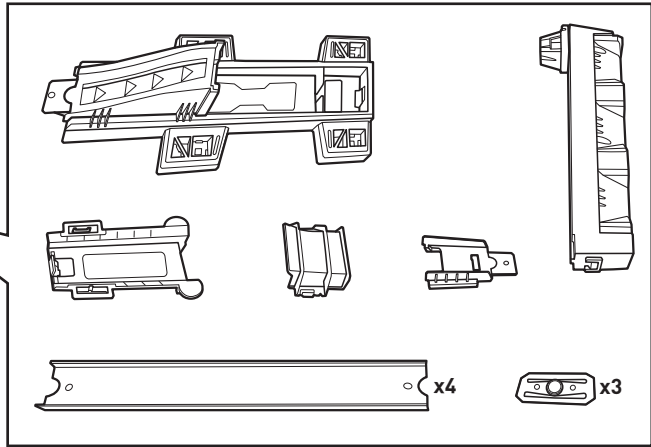
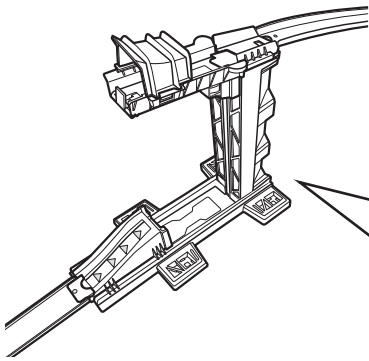


ASST.DNH84
DJD66-0970
1100708375-DOM

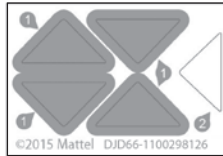
PLEASE KEEP THESE INSTRUCTIONS FOR FUTURE REFERENCE AS THEY CONTAIN IMPORTANT INFORMATION.

HERE'S WHAT YOU GET!

PARTS IN THIS SET ARE LABELED **TB5**.

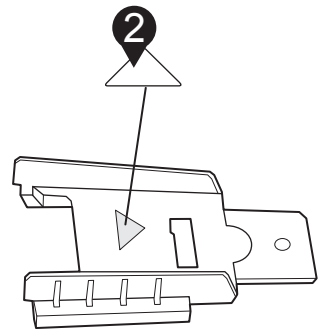
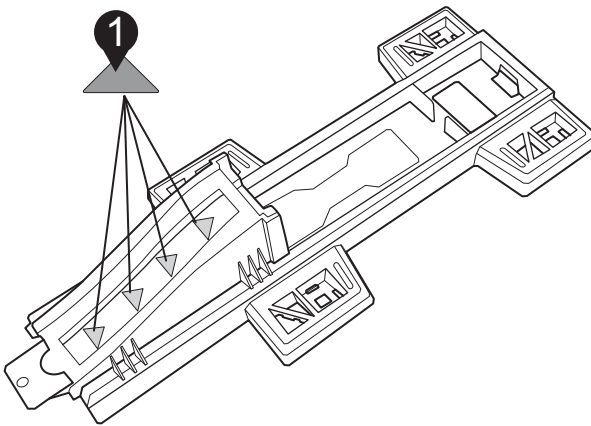


LABEL SHEET



HERE'S HOW YOU START

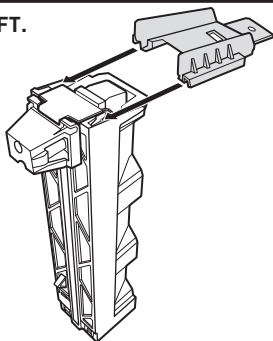
1. APPLY LABELS.



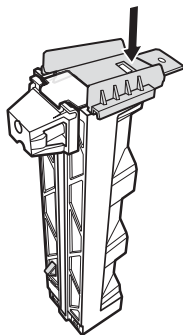
HERE'S HOW YOU START

ASSEMBLE THE LIFT.

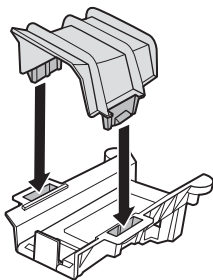
2.



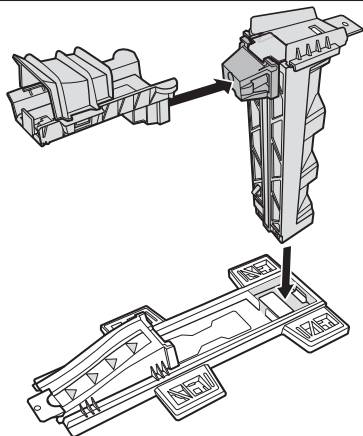
3.



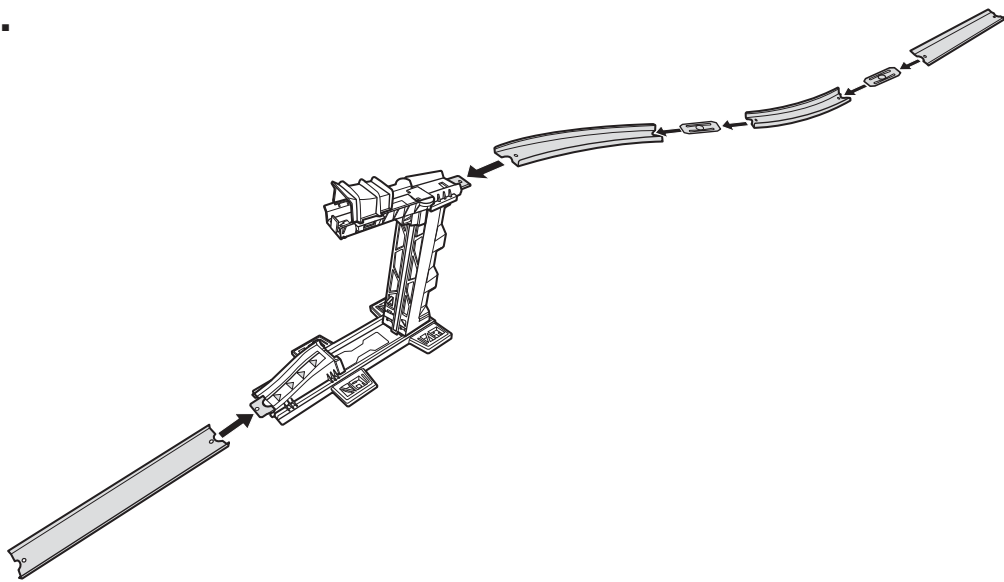
4.



5.

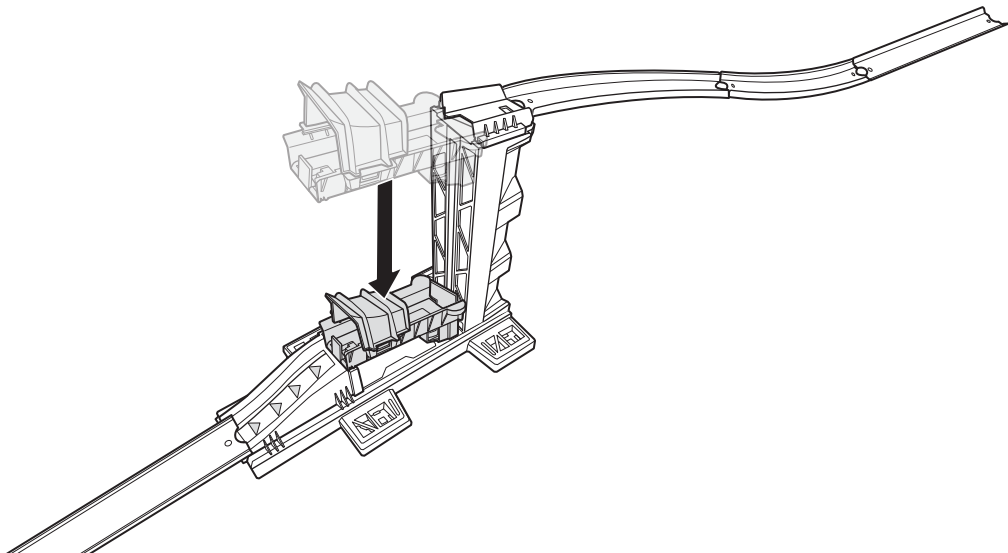


6.



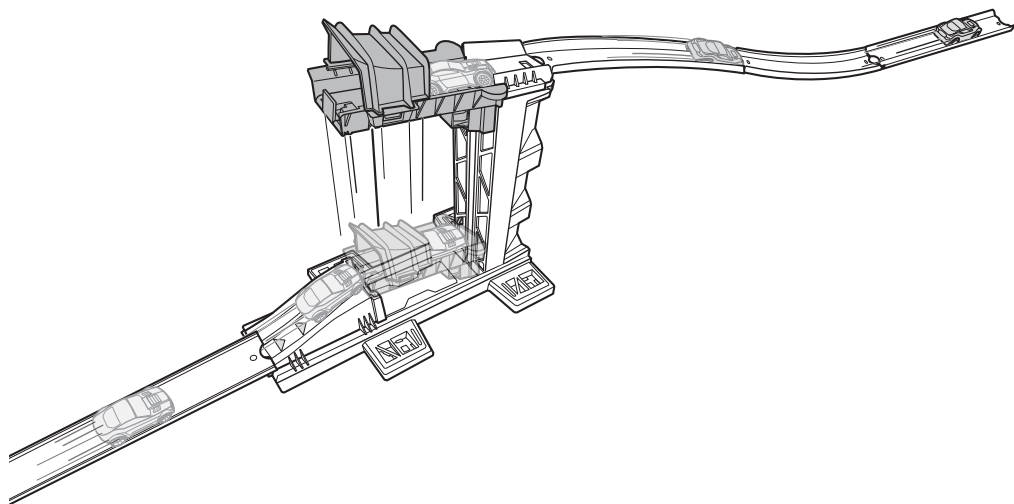
HERE'S WHAT'S COOL!

1. PUSH LIFT DOWN AND LOCK IN PLACE.



2.

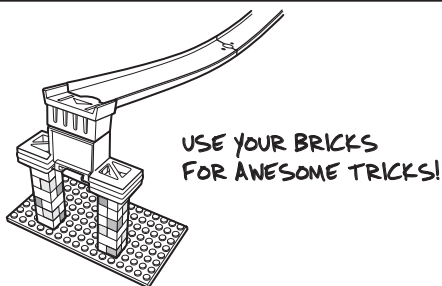
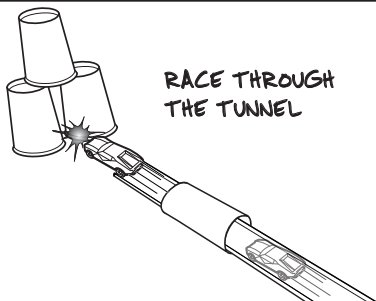
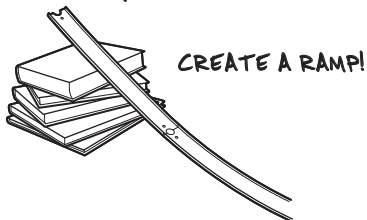
DRIVE YOUR CAR IN, THEN LIFT AND LAUNCH!



NOT FOR USE WITH SOME HOT WHEELS® VEHICLES.
1 VEHICLE INCLUDED. OTHER VEHICLES SOLD SEPARATELY.

WHAT IF.....?

THE KEY TO A RAD STUNT IS IN YOUR HOME ALREADY:



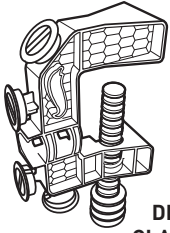
IMAGINE WHAT YOU COULD DO WITH THE TRACK BUILDER SYSTEM!



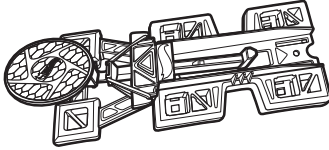
FOR MORE EPIC TRACK IDEAS VISIT
WWW.HOTWHEELS.COM/TRACKBUILDER

HERE'S WHAT ELSE YOU CAN GET:

ADVERTISEMENT



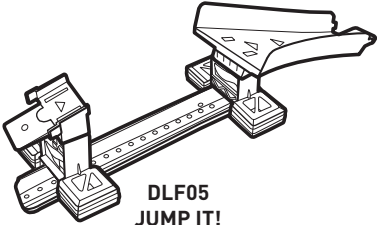
**DLF03
CLAMP IT!**



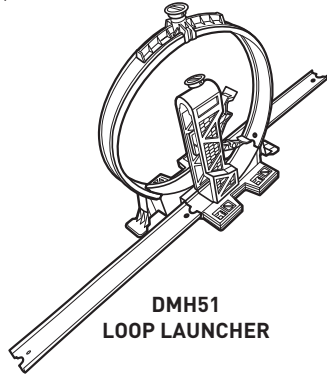
**DLF06
LAUNCH IT!**



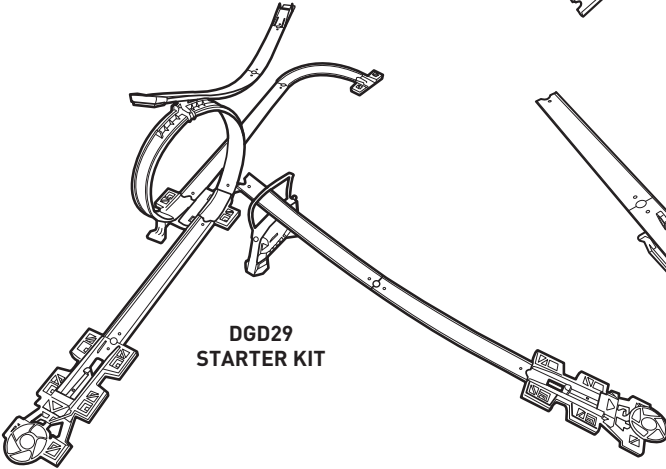
**DLF02
HANG IT!**



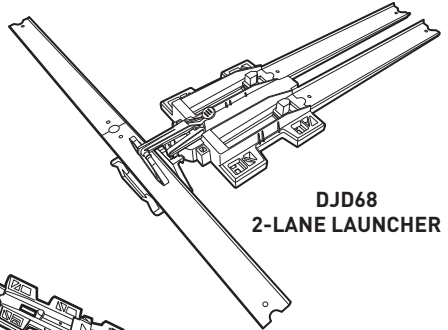
**DLF05
JUMP IT!**



**DMH51
LOOP LAUNCHER**



**DGD29
STARTER KIT**



**DJD68
2-LANE LAUNCHER**

EACH SOLD SEPARATELY, SUBJECT TO AVAILABILITY.