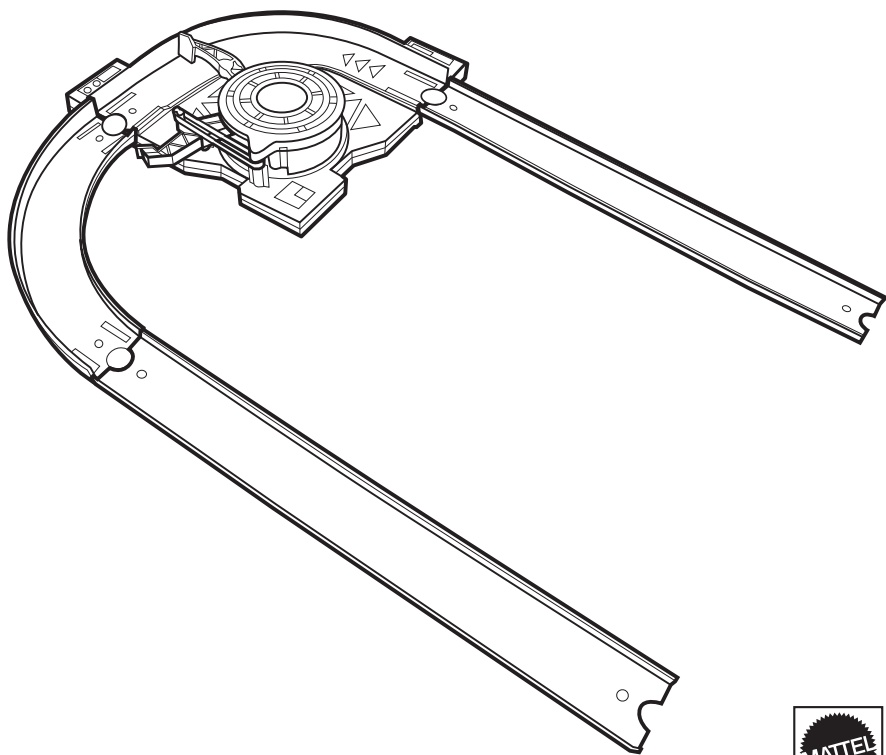




TURN KICKER



5+

service.mattel.com
HOTWHEELS.COM

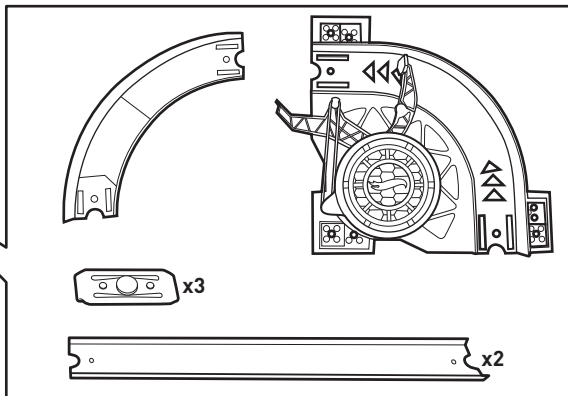
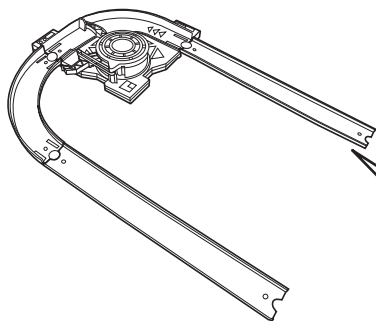


ASST.DNH84
DJ067-0970
1100708380-D0M61

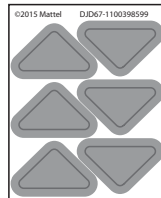
PLEASE KEEP THESE INSTRUCTIONS FOR FUTURE REFERENCE AS THEY CONTAIN IMPORTANT INFORMATION.

HERE'S WHAT YOU GET!

PARTS IN THIS SET ARE LABELED **TB 11**

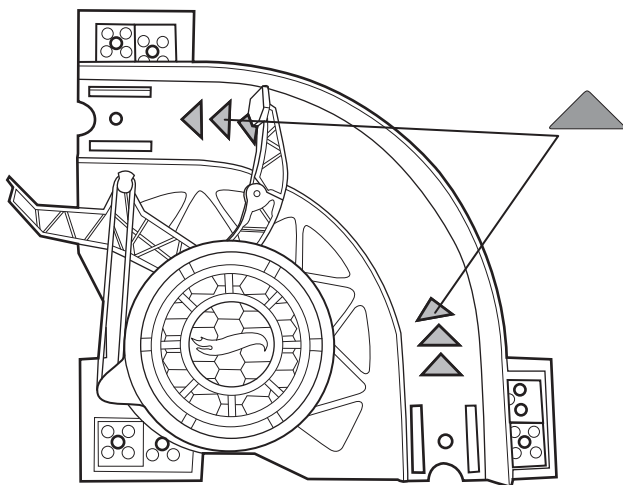


LABEL SHEET



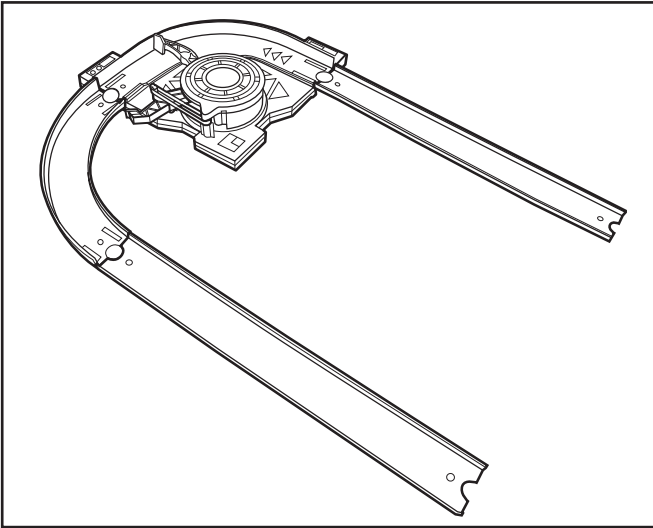
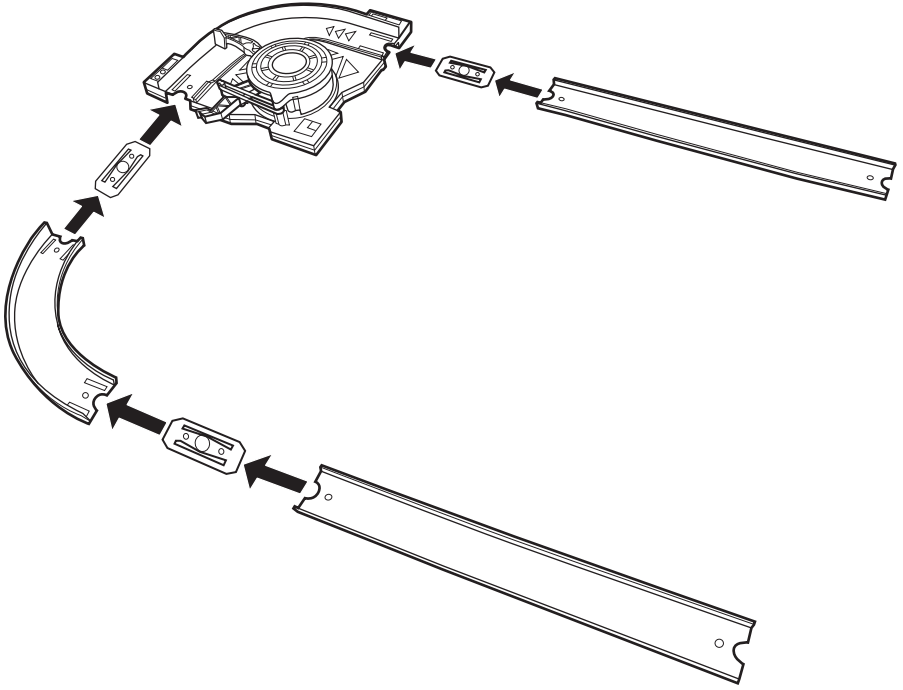
HERE'S HOW YOU START

1. APPLY LABELS.



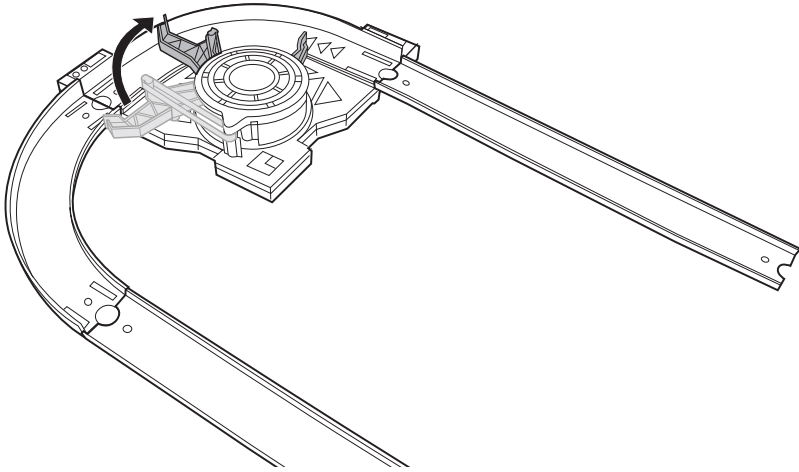
HERE'S HOW YOU START

2. ASSEMBLE THE STUNT.

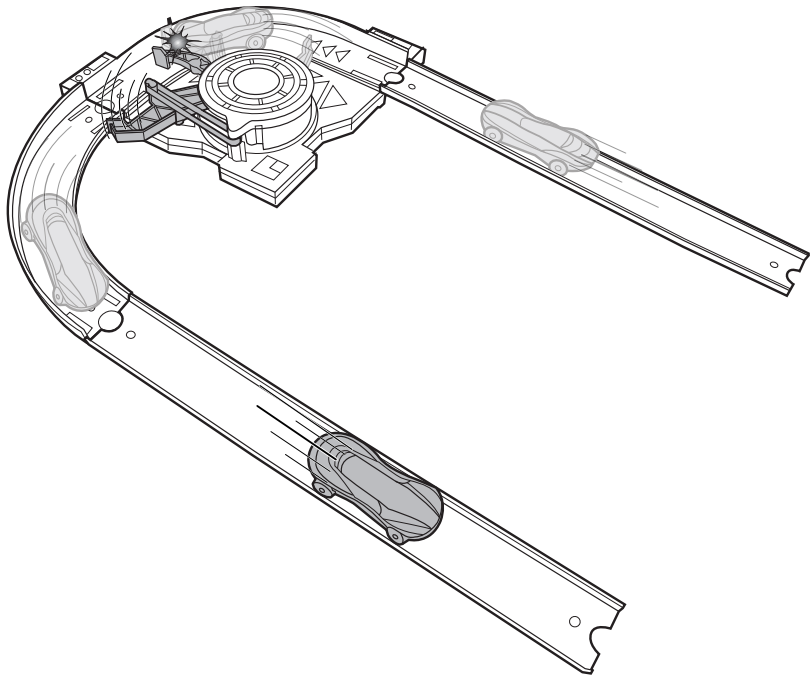


HERE'S WHAT'S COOL!

3. LOCK KICKER LAUNCHER BACK.



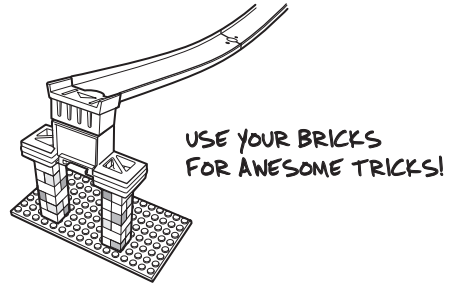
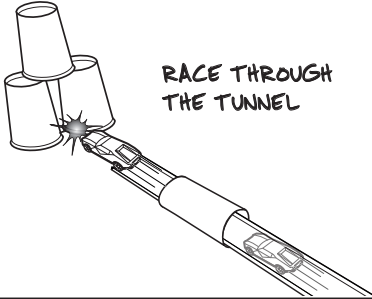
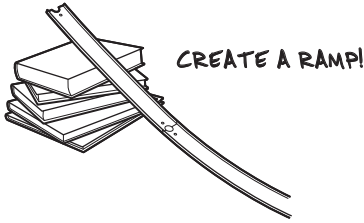
4. RACE INTO THE BEND FOR A SPEED BOOST!



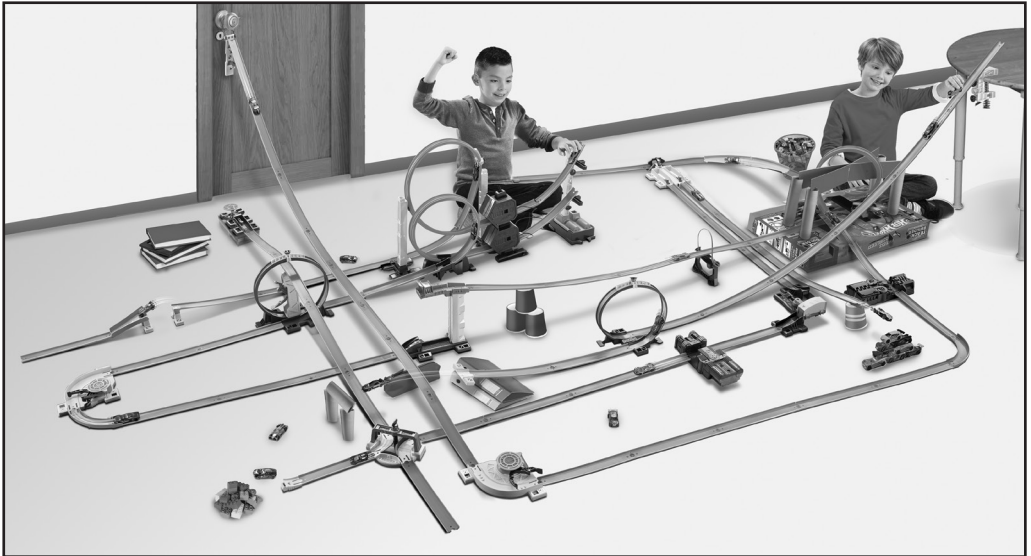
NOT FOR USE WITH SOME HOT WHEELS® VEHICLES.
1 VEHICLE INCLUDED. OTHER VEHICLES SOLD SEPARATELY.

WHAT IF.....?

THE KEY TO A RAD STUNT IS IN YOUR HOME ALREADY:



IMAGINE WHAT YOU COULD DO WITH THE TRACK BUILDER SYSTEM!



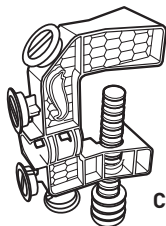
FOR MORE EPIC TRACK IDEAS VISIT
WWW.HOTWHEELS.COM/TRACKBUILDER

HERE'S WHAT ELSE YOU CAN GET:

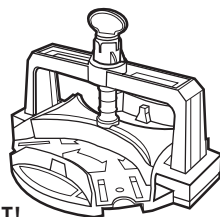
ADVERTISEMENT



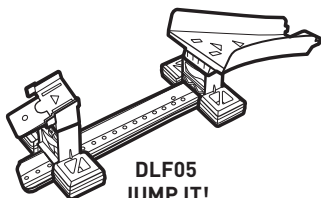
**DLF02
HANG IT!**



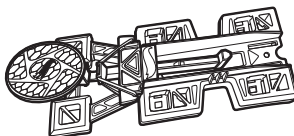
**DLF03
CLAMP IT!**



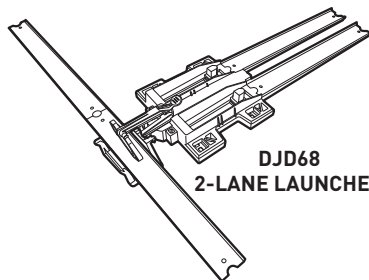
**DLF04
SWITCH IT!**



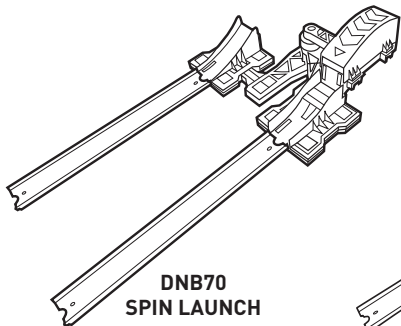
**DLF05
JUMP IT!**



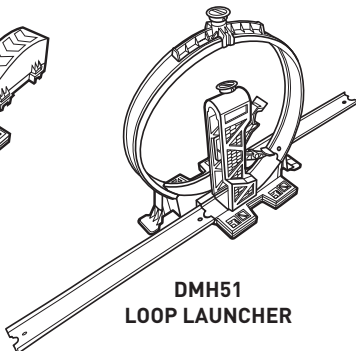
**DLF06
LAUNCH IT!**



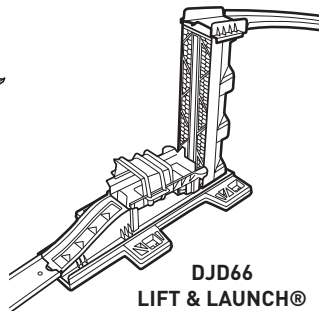
**DJD68
2-LANE LAUNCHER**



**DNB70
SPIN LAUNCH**



**DMH51
LOOP LAUNCHER**



**DJD66
LIFT & LAUNCH®**

EACH SOLD SEPARATELY, SUBJECT TO AVAILABILITY.