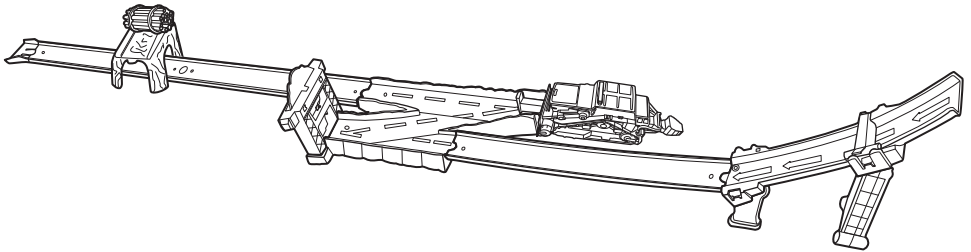


INSTRUCTIONS



BULLDOZE BLAST™



4+

service.mattel.com

HOTWHEELS.COM

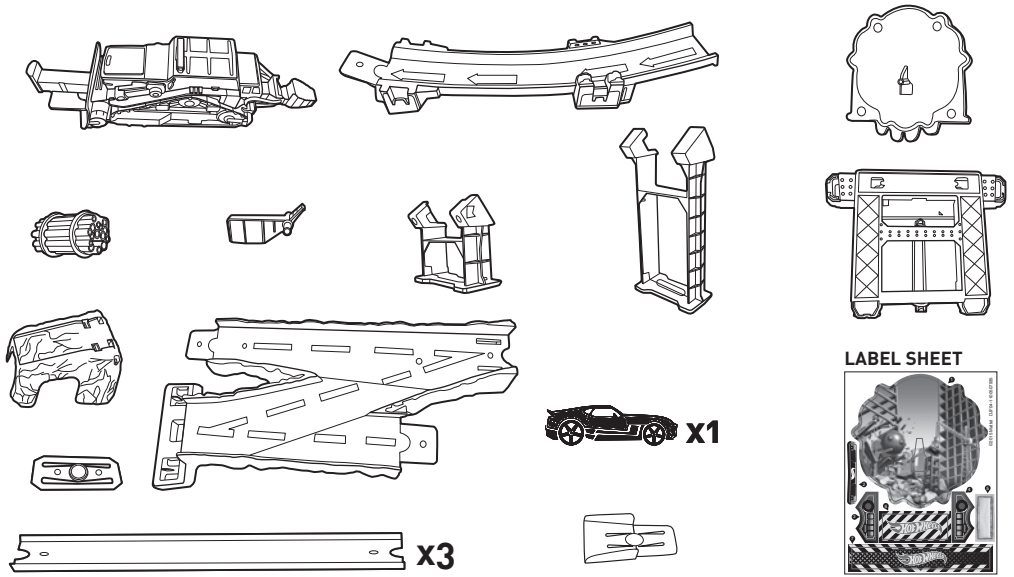
WARNING:
CHOKING HAZARD - Small parts.
Not for children under 3 years.



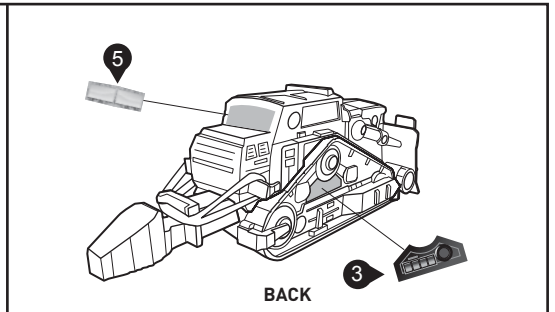
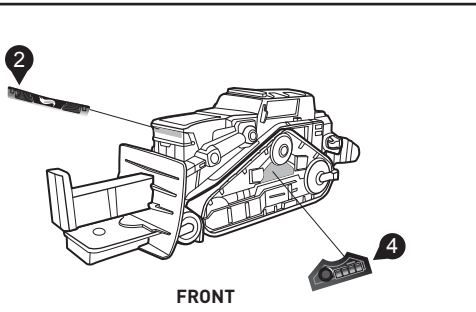
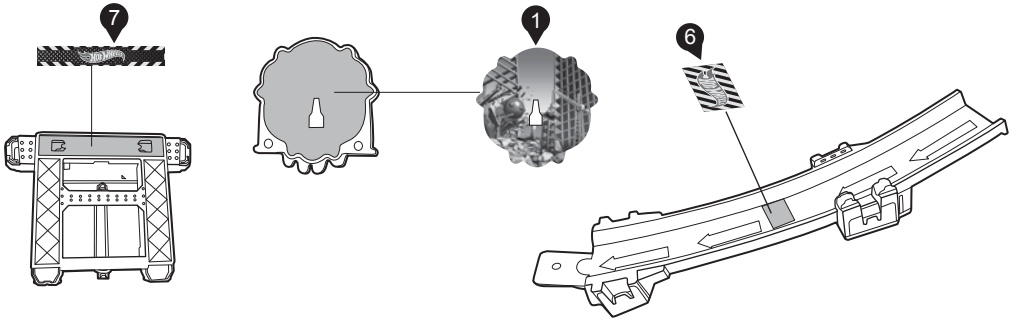
ASST.DNR74
DJF04-0970
1100624740-DOM

PLEASE KEEP THESE INSTRUCTIONS FOR FUTURE REFERENCE AS THEY CONTAIN IMPORTANT INFORMATION.

CONTENTS

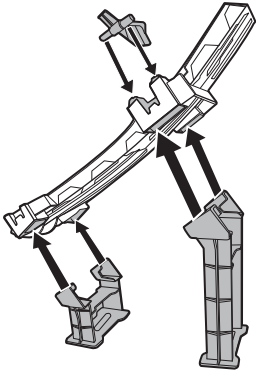


APPLY LABELS

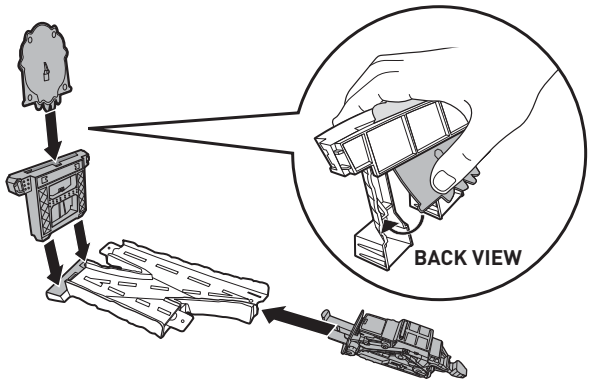


ASSEMBLY

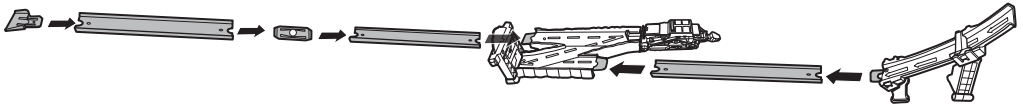
1.



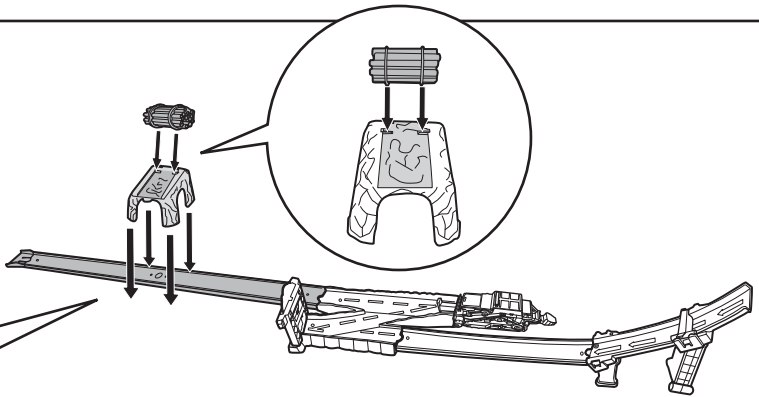
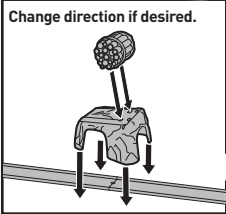
2.



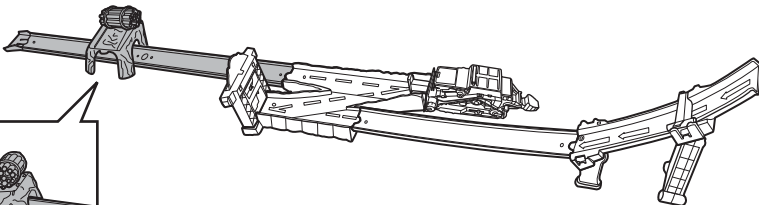
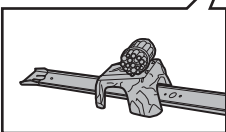
3.



4.



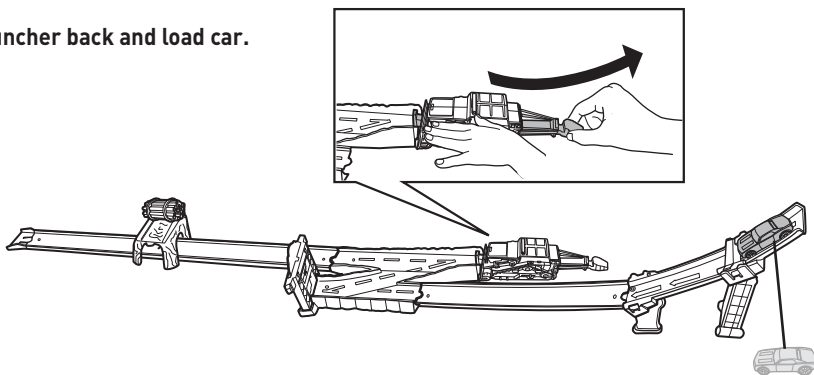
5.



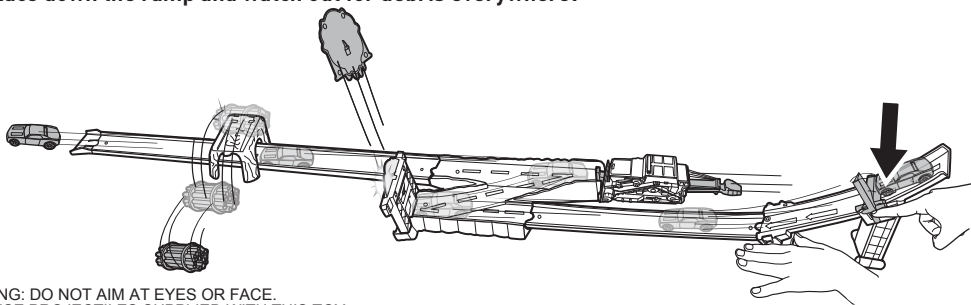
NOT FOR USE WITH SOME HOT WHEELS® VEHICLES.
INCLUDES ONE VEHICLE. OTHERS SHOWN SOLD SEPARATELY.

TO PLAY

1. Lock launcher back and load car.



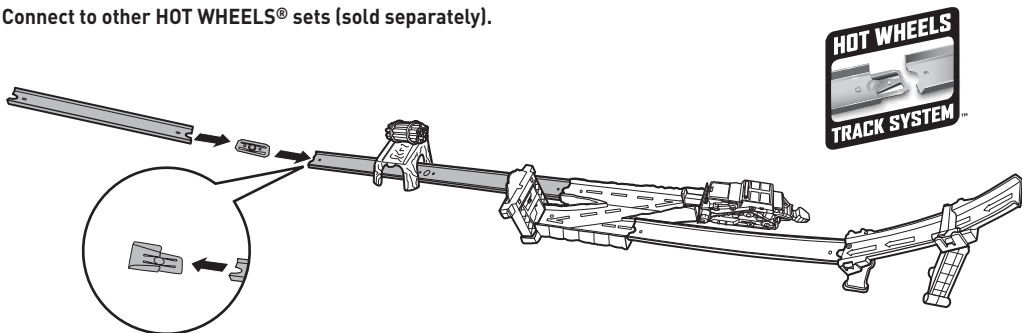
2. Race down the ramp and watch out for debris everywhere!



WARNING: DO NOT AIM AT EYES OR FACE.
ONLY USE PROJECTILES SUPPLIED WITH THIS TOY.
DO NOT FIRE AT POINT BLANK RANGE.

MORE WAYS TO PLAY

Connect to other HOT WHEELS® sets (sold separately).



©2015 Mattel. All Rights Reserved. Mattel, Inc., 636 Girard Avenue, East Aurora, NY 14052, U.S.A. Consumer Services 1-800-524-8697. Mattel U.K. Ltd., Vanwall Business Park, Maidenhead SL6 4UB. Helpline 01628 500303. Mattel Australia Pty., Ltd., Richmond, Victoria. 3121 Consumer Advisory Service - 1300 135 312. Mattel East Asia Ltd., Room 503-09, North Tower, World Finance Centre, Harbour City, Tsimshatsui, HK, China. Tel.: (852) 3185-6500. Diimport & Diedarkan Oleh: Mattel Southeast Asia Pte. Ltd., No 19-1, Tower 3 Avenue 7, Bangsar South City, No 8, Jalan Kerinchi, 59200 Kuala Lumpur, Malaysia. Tel: 03-78803817, Fax: 03-78803867.