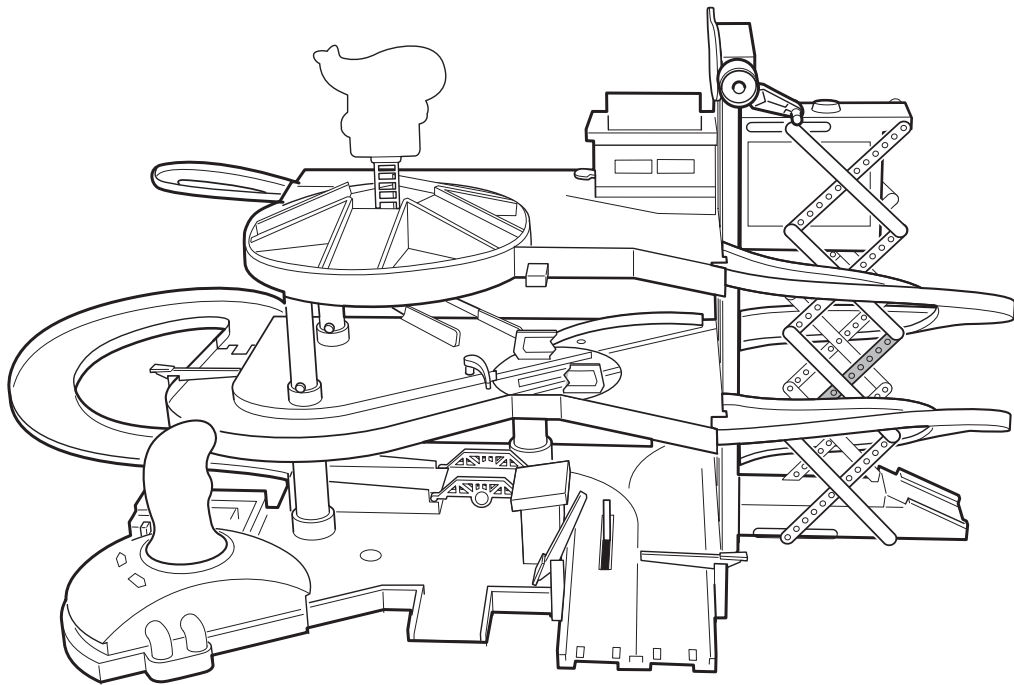




SUPER AUTO CENTER™



3+

service.mattel.com

HOTWHEELS.COM

WARNING:
CHOKING HAZARD - Small parts.
Not for children under 3 years.



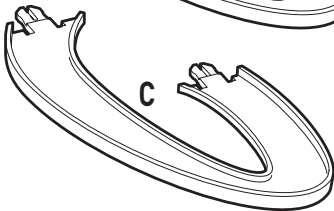
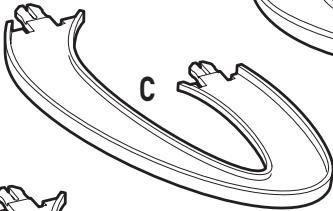
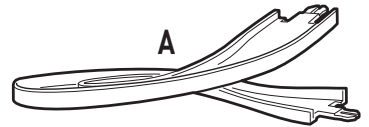
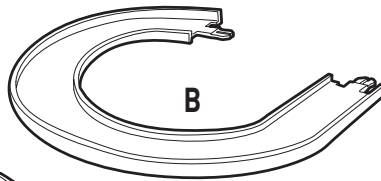
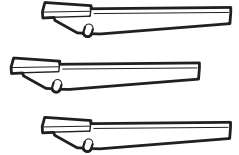
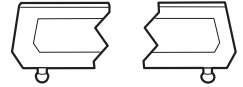
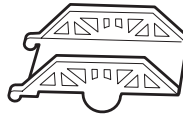
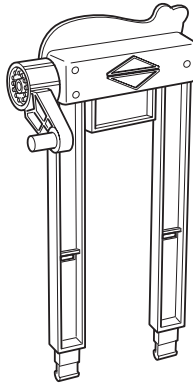
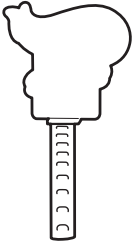
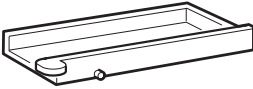
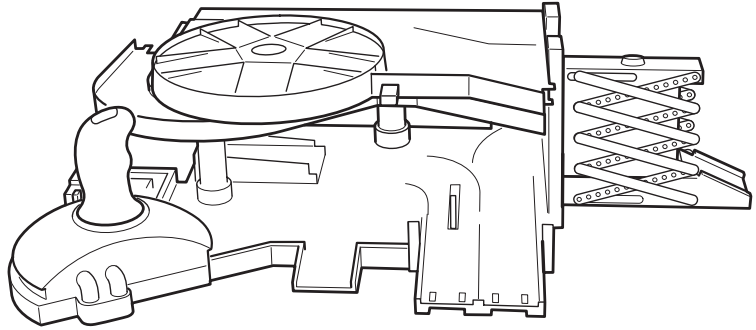
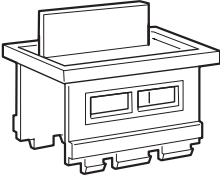
DMB13-0970
1100758105-DOM

PLEASE KEEP THESE INSTRUCTIONS FOR FUTURE REFERENCE AS THEY CONTAIN IMPORTANT INFORMATION.

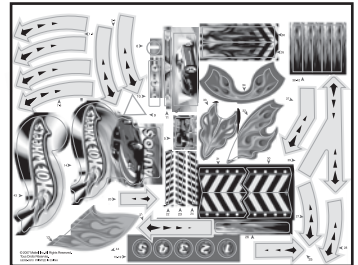
CONTENTS



Refer to letter on toy parts and this page to help with assembly.

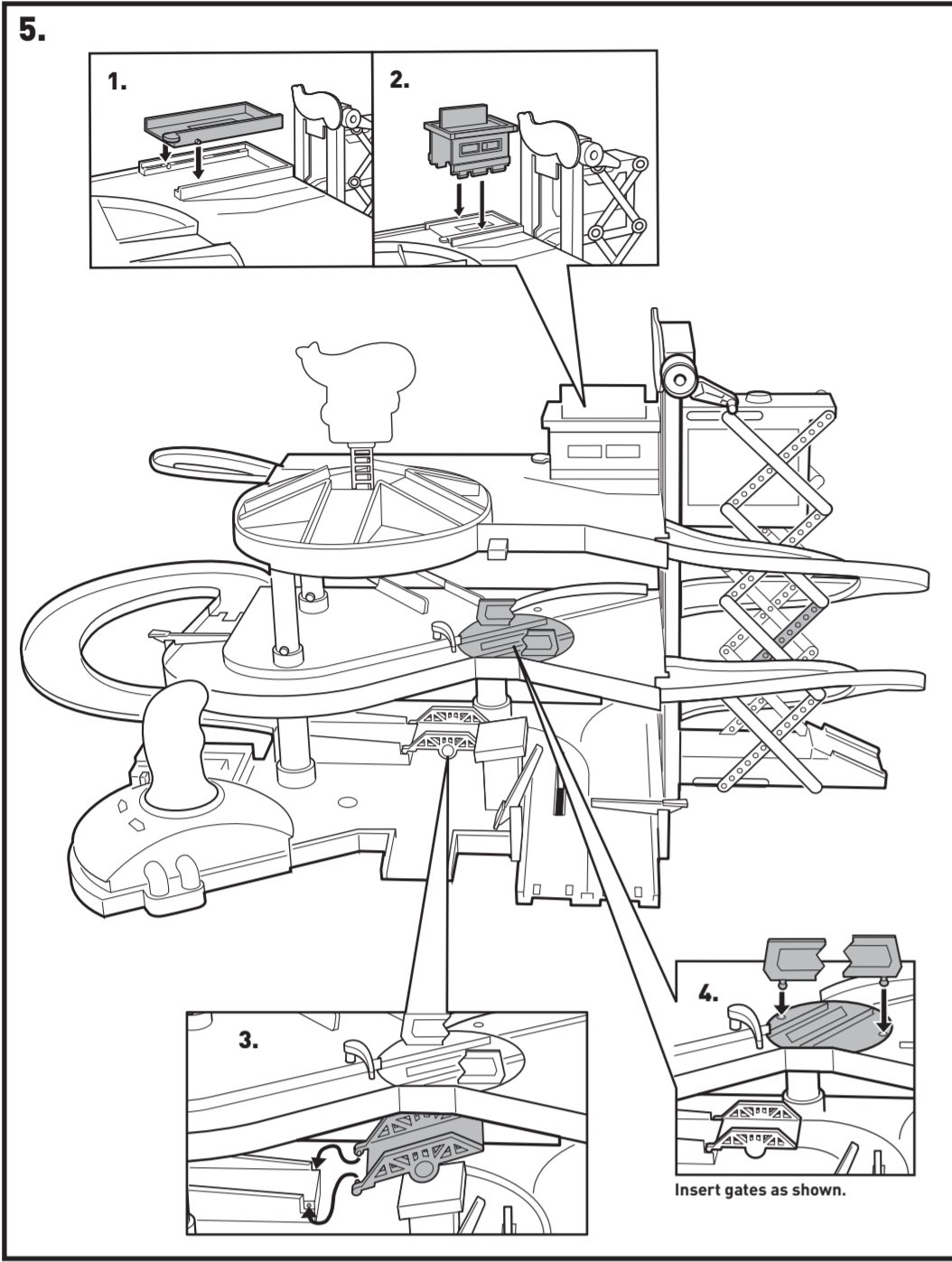


LABELS



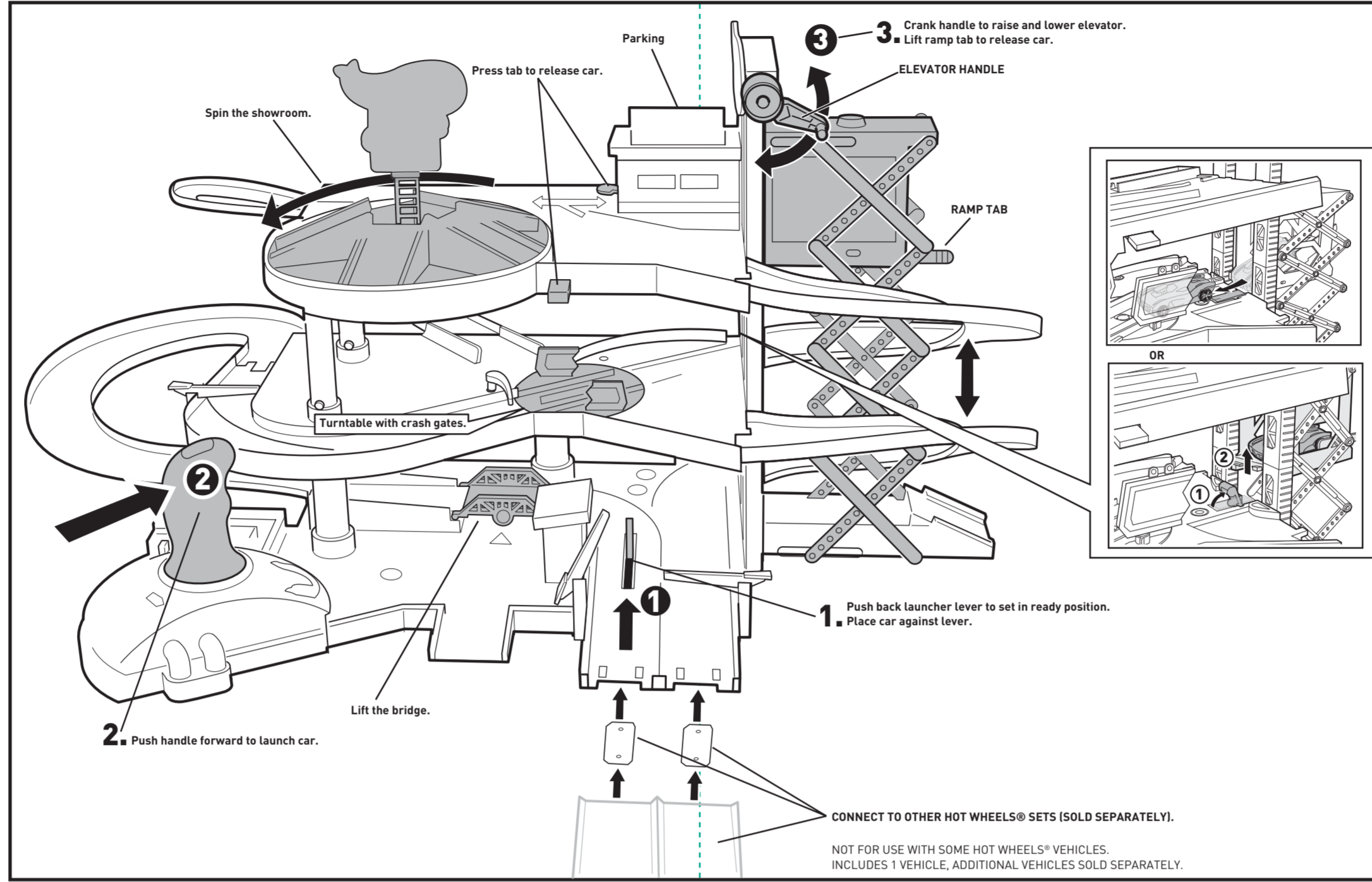
3 FOLD

ASSEMBLY (CONTD.)



6

TO PLAY

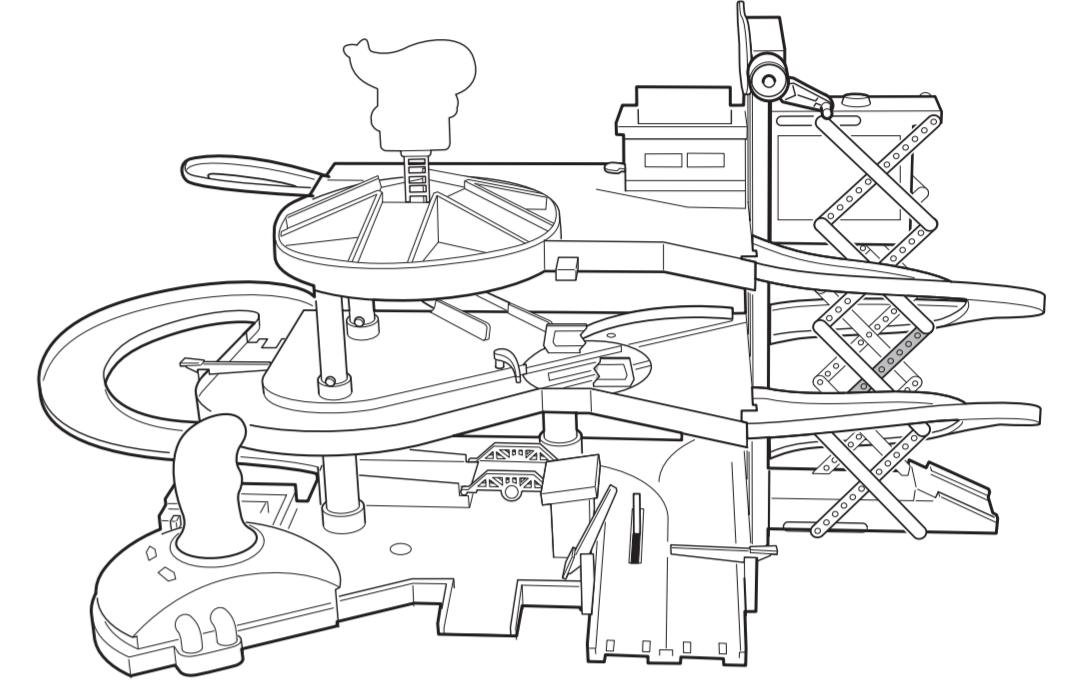


7

INSTRUCTIONS



SUPER AUTO CENTER™



3+

service.mattel.com
HOTWHEELS.COM

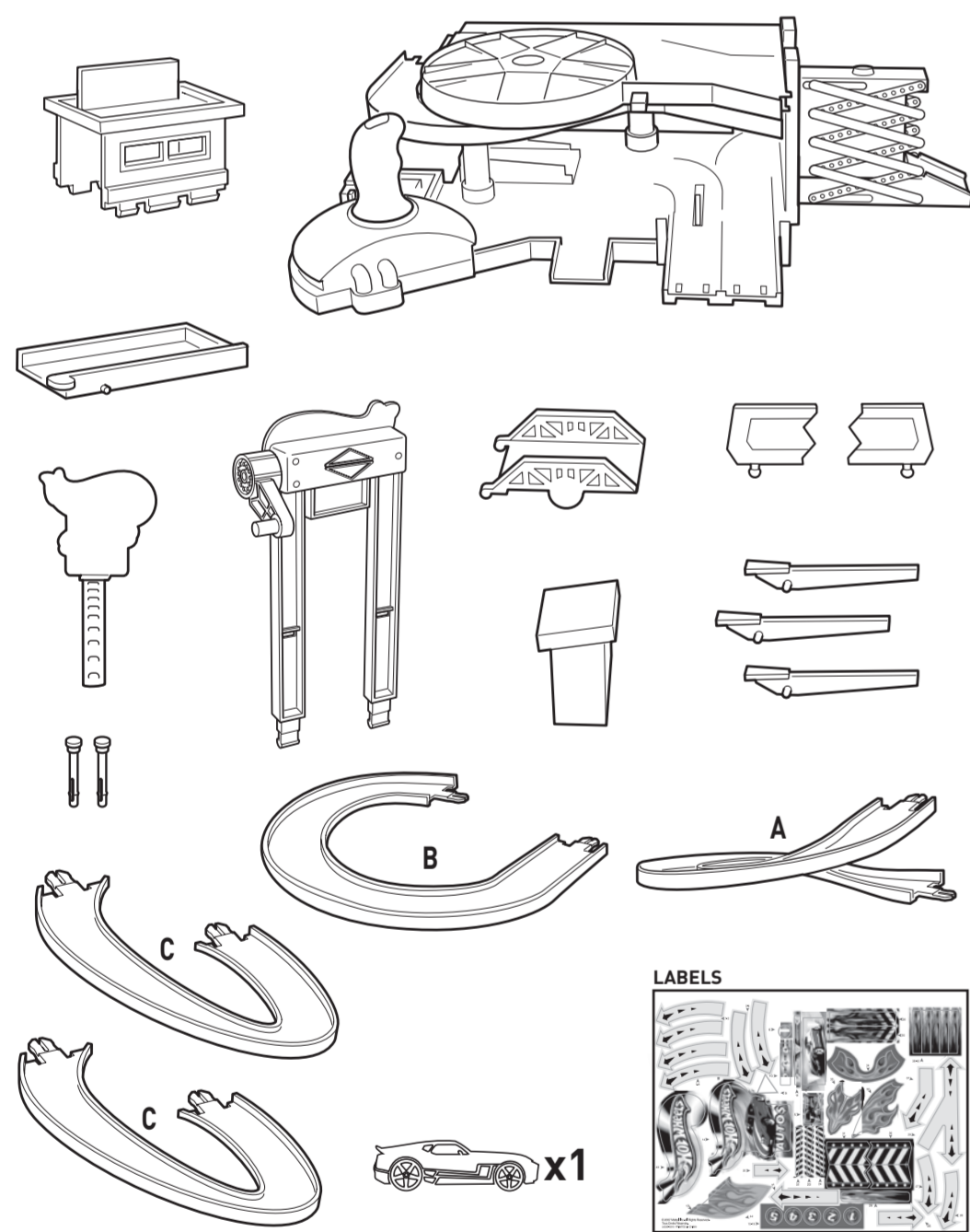


PLEASE KEEP THESE INSTRUCTIONS FOR FUTURE REFERENCE AS THEY CONTAIN IMPORTANT INFORMATION.

©2015 Mattel. All Rights Reserved. Mattel, Inc. 636 Grand Avenue, East Aurora, NY 14052, U.S.A. Consumer Services 1-800-524-9697. Mattel U.K. Ltd., Vanehall Business Park, Maidenhead SL6 4UB. Helpline 01628 500303. Mattel Australia Pty. Ltd., Richmond, Victoria, 3121. Consumer Advisory Service - 1300 135 312. Mattel East Asia Ltd., Room 503-09, North Tower, World Finance Centre, Harbour City, Tsimshatsui, HK, China. Tel: (852) 3185-6200. Dimpson S. Desdaran Dela: Mattel Southeast Asia Pte. Ltd., No. 15-1, Tower 2 Avenue 7, Bangsar South City, No. 8, Jalan Kerinci, 52000 Kuala Lumpur, Malaysia. Tel: 03-78033317, Fax: 03-78033867.

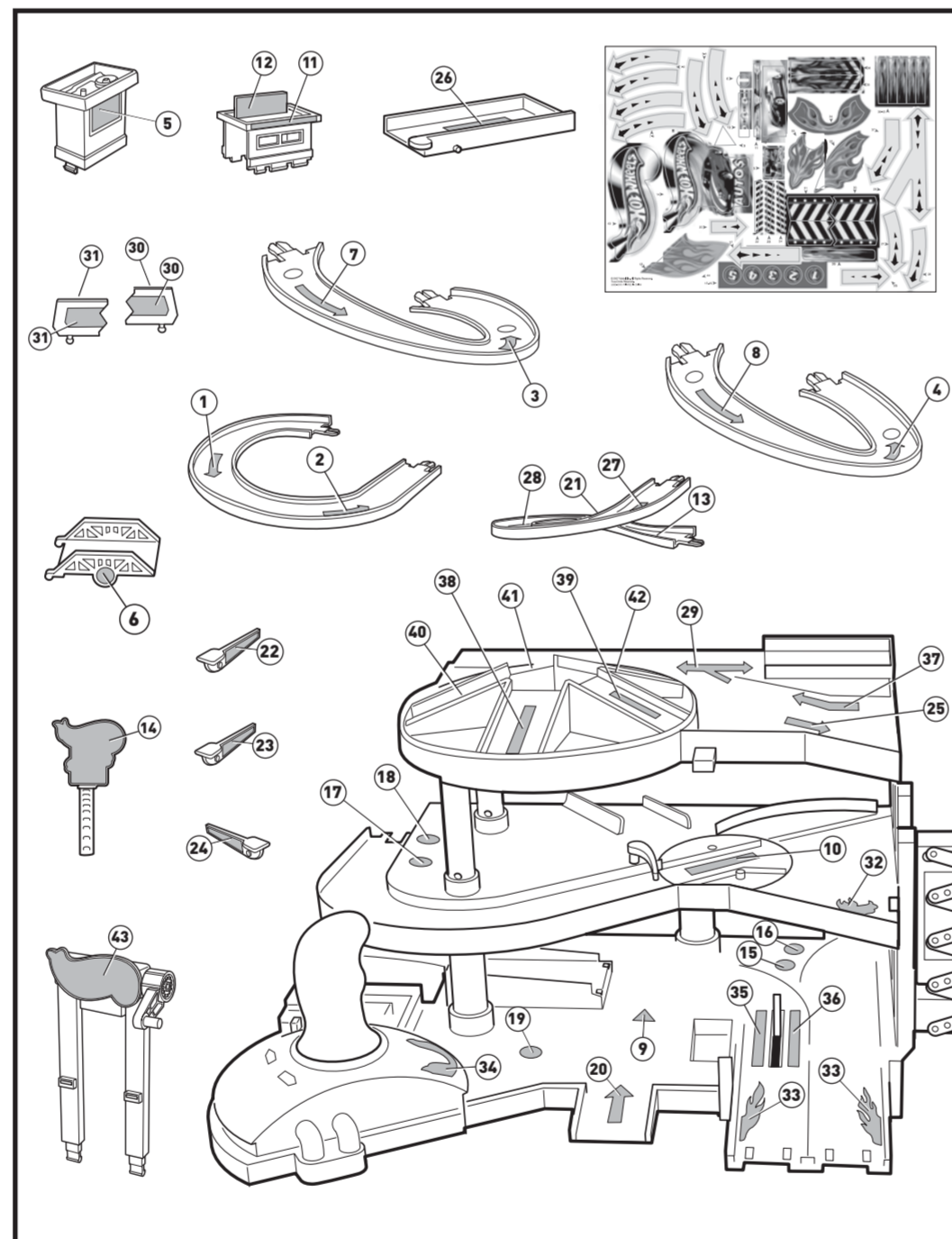
CONTENTS

Refer to letter on toy parts and this page to help with assembly.



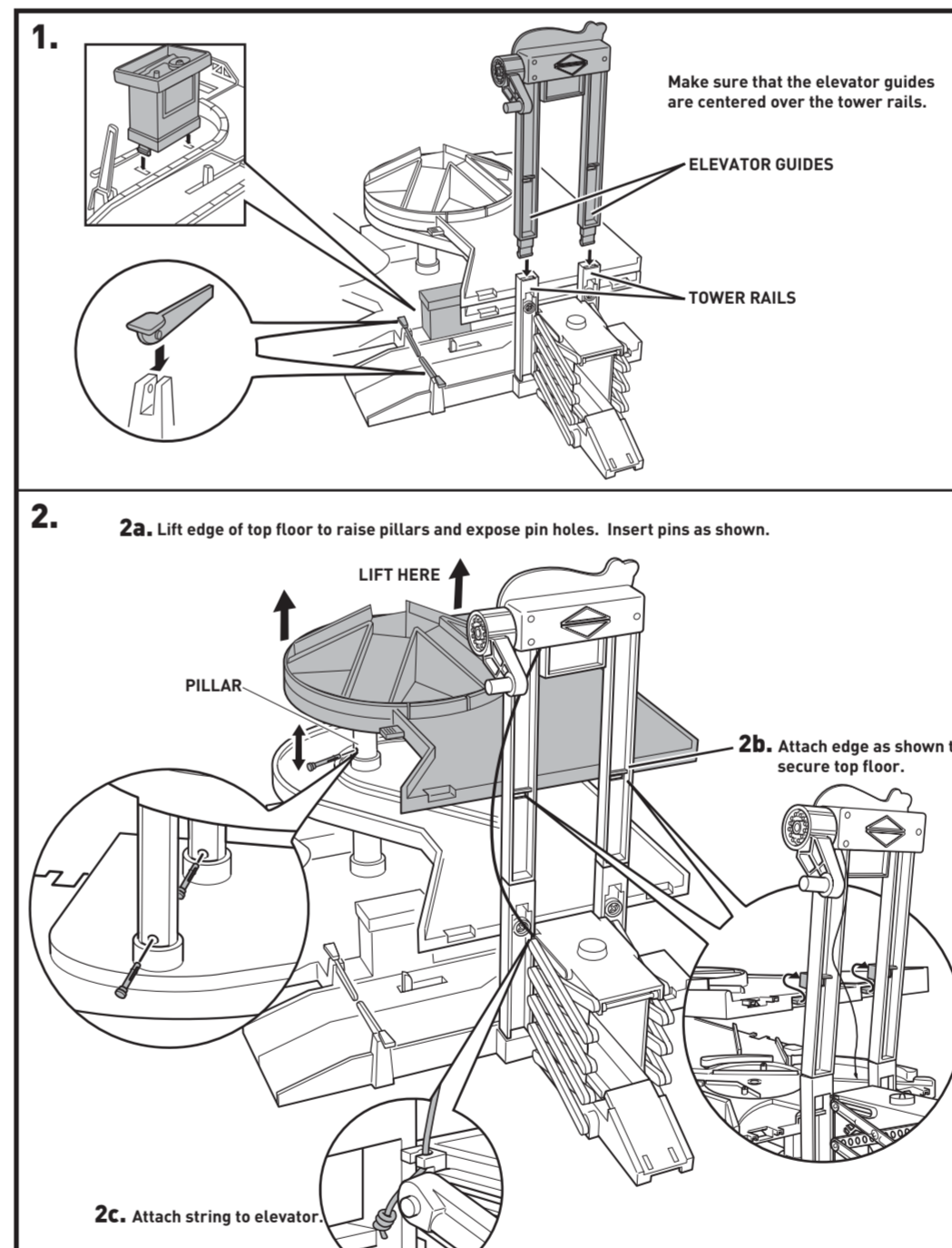
2

APPLY LABELS

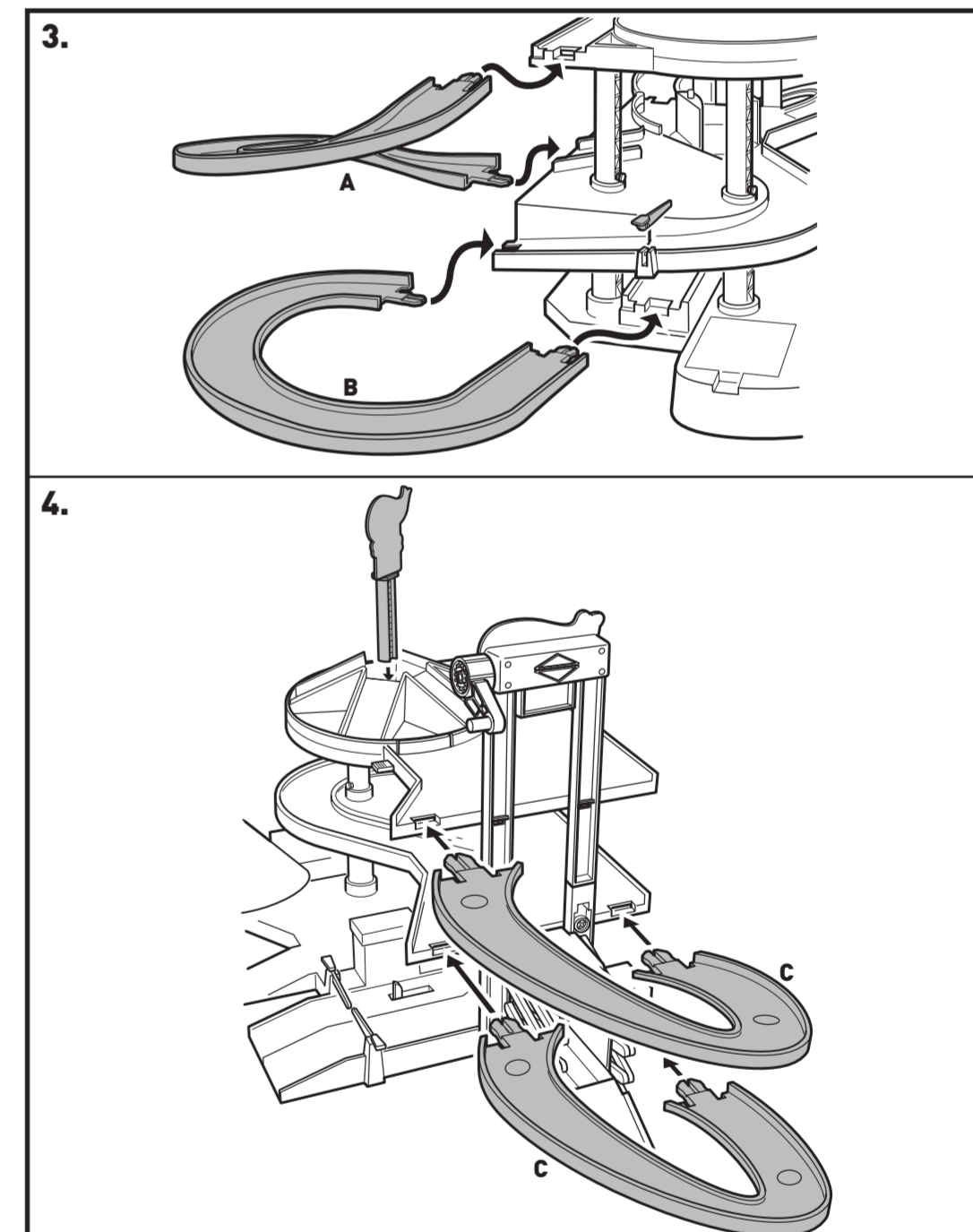


3

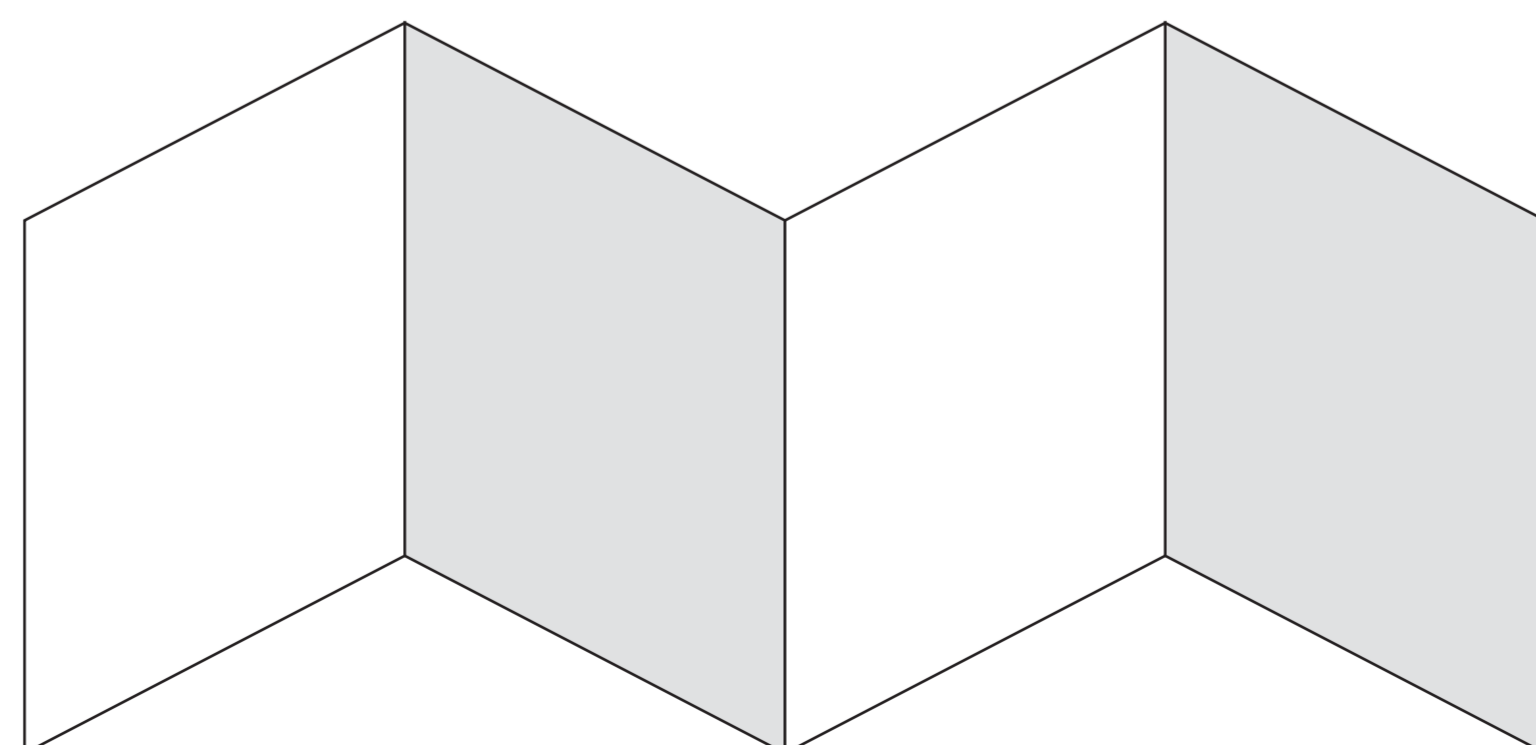
ASSEMBLY



4



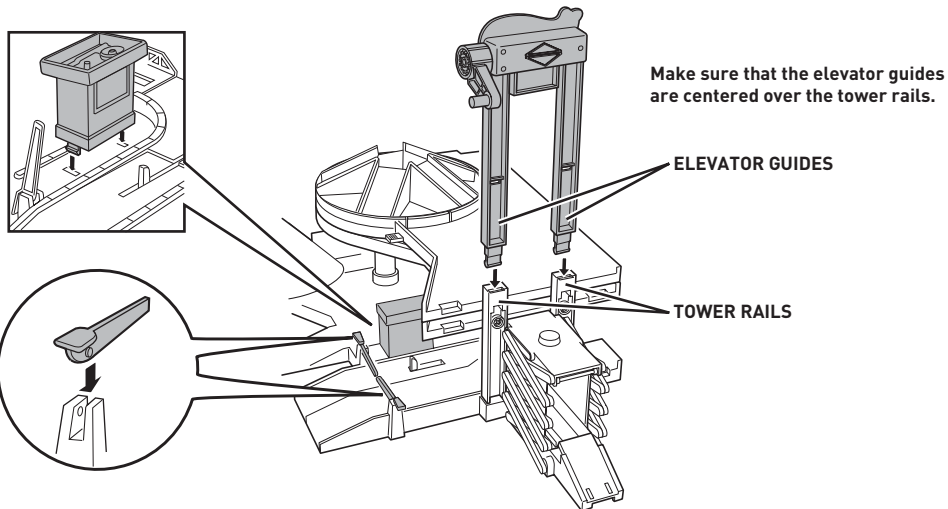
5



FAN FOLD

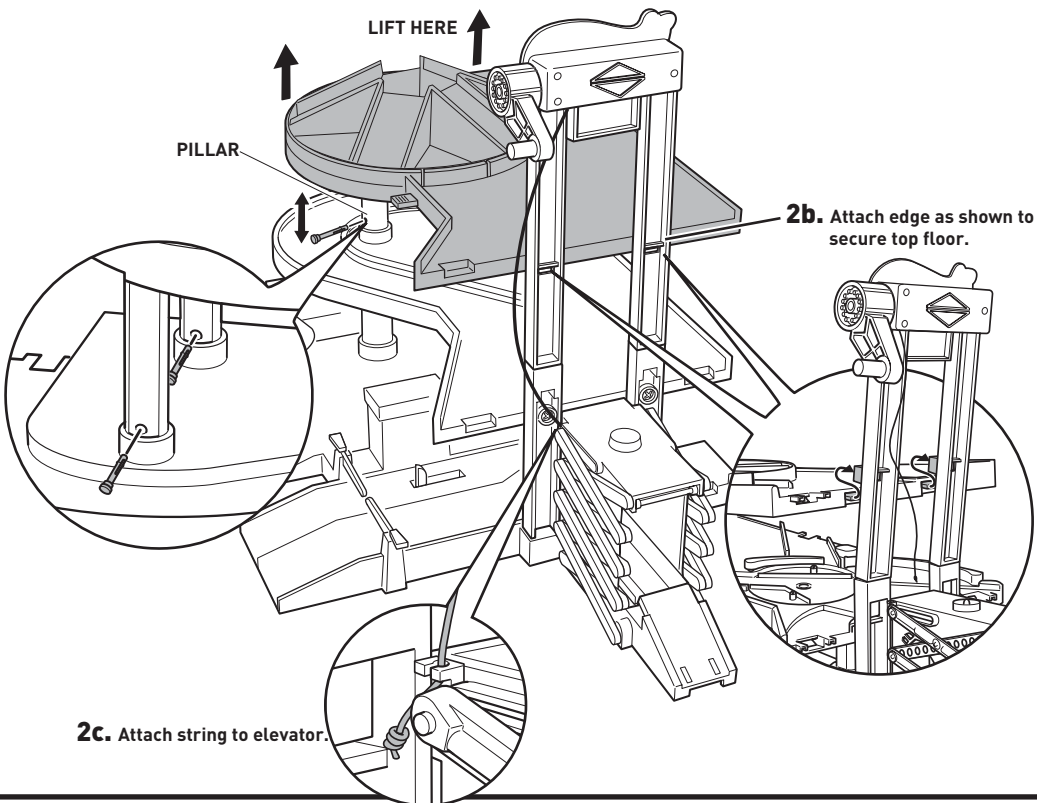
ASSEMBLY

1.

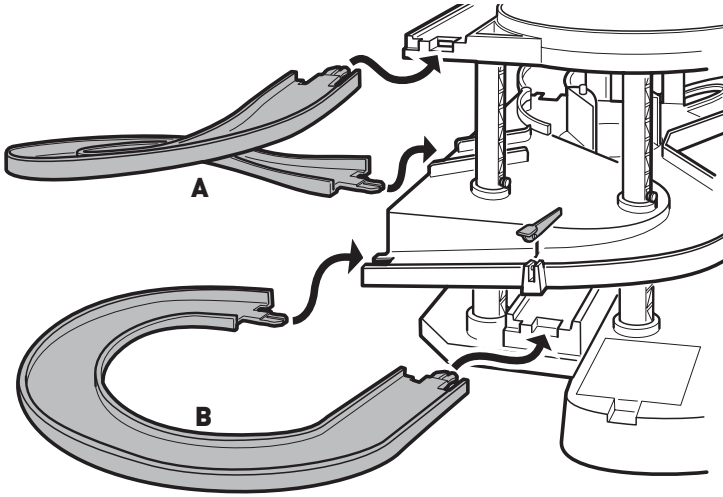


2.

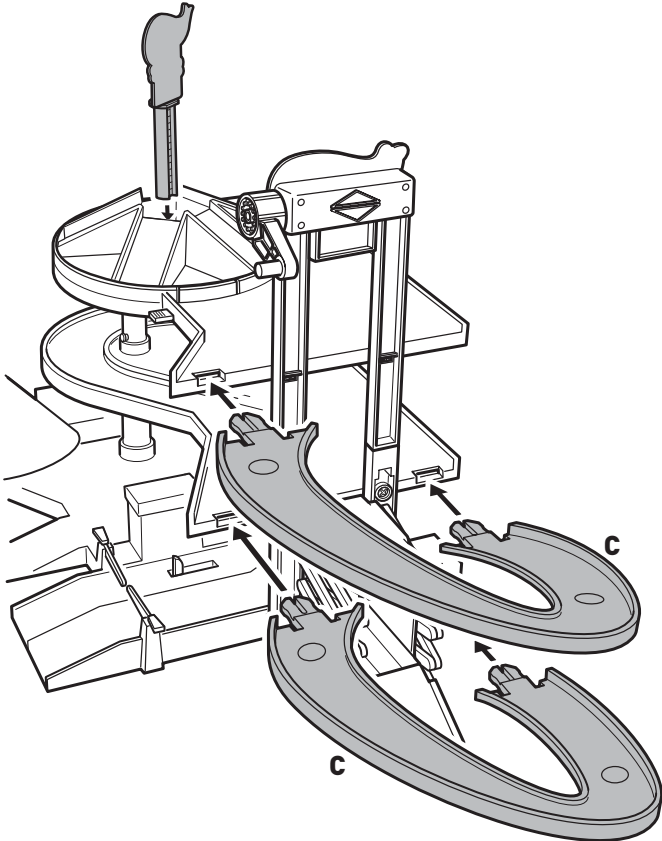
2a. Lift edge of top floor to raise pillars and expose pin holes. Insert pins as shown.



3.

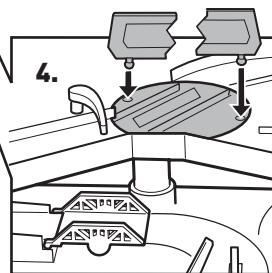
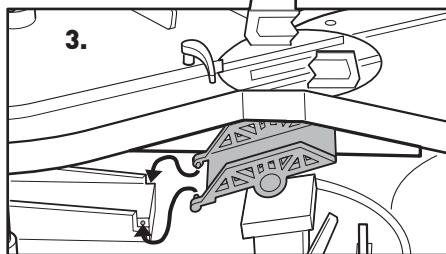
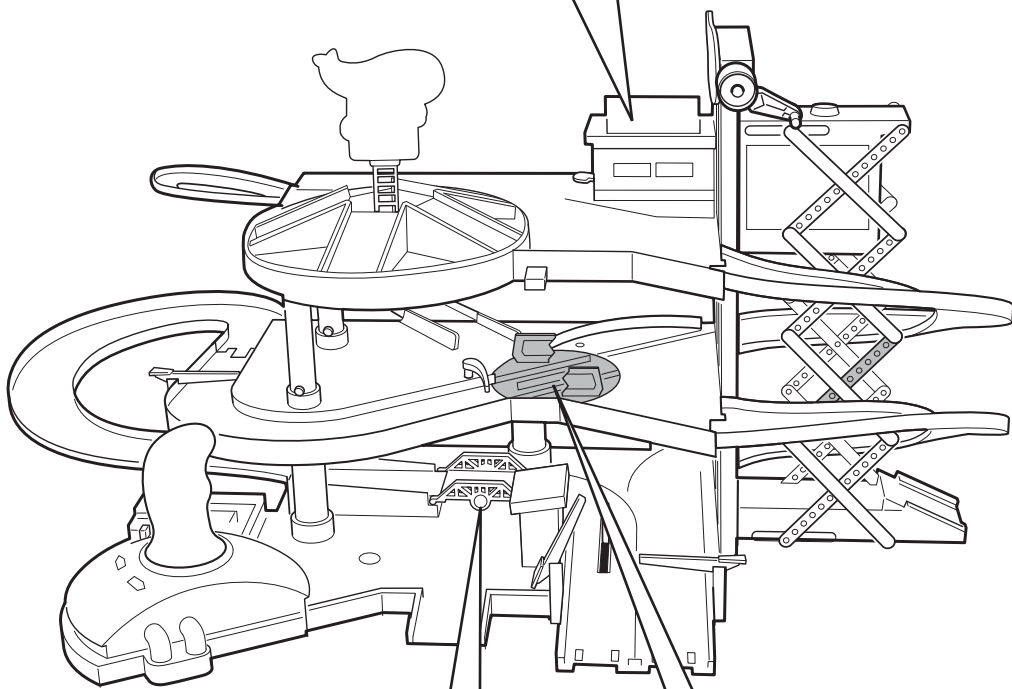
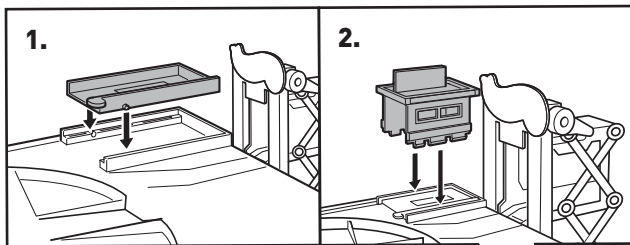


4.



ASSEMBLY (CONTD.)

5.



Insert gates as shown.

