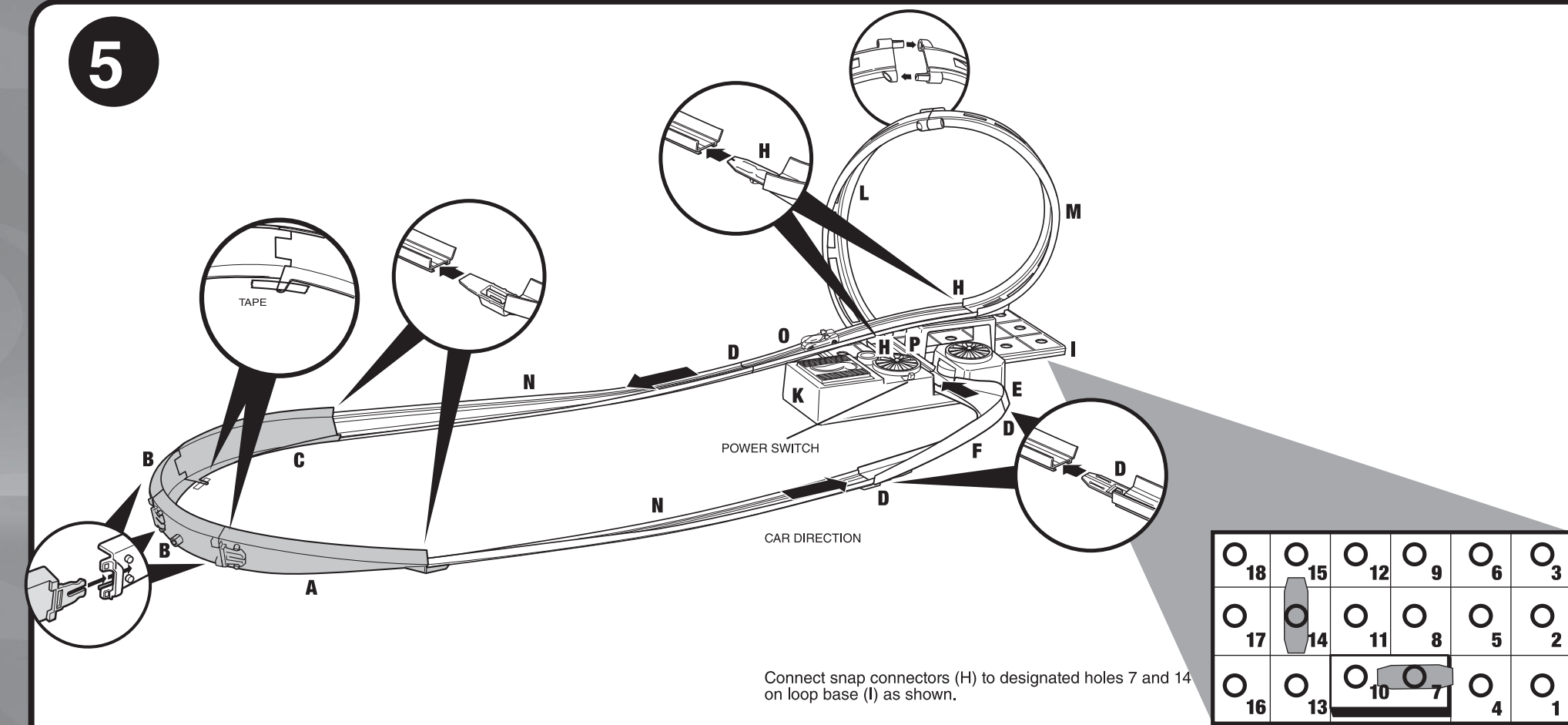
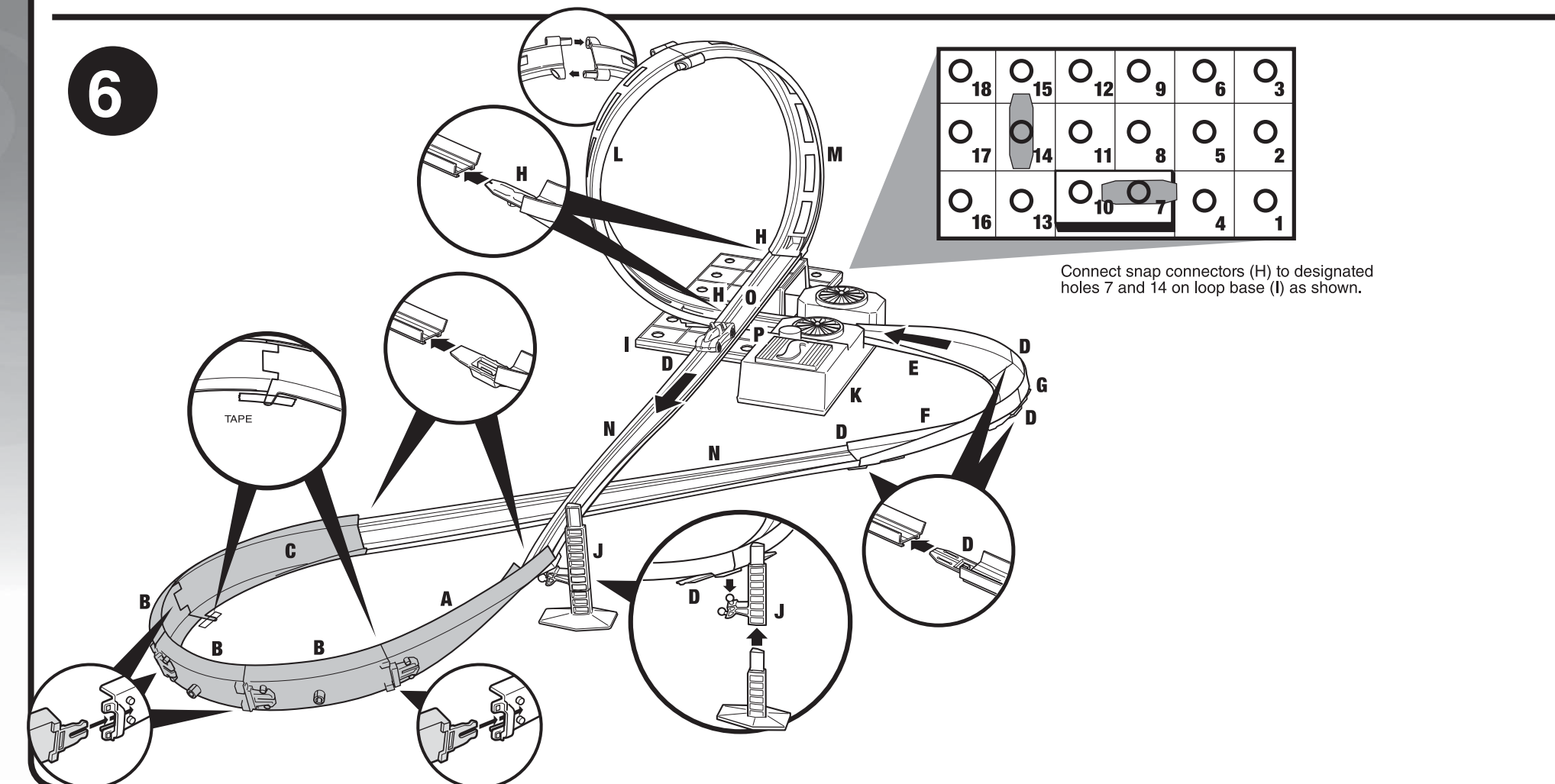


5

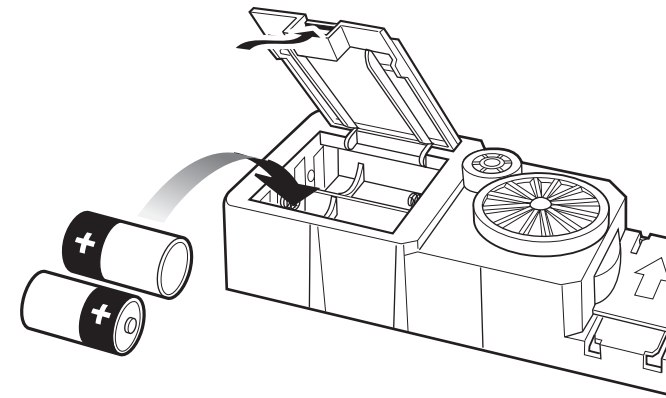


6

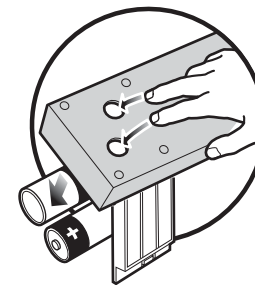


BATTERY INSTALLATION/REPLACEMENT

Press in at tab on battery door and pull upward to open front of compartment. Insert two fresh "D" size alkaline batteries (not included) as shown. Close cover. Replace the batteries when the booster no longer propels the car through the set.



Push fingers through holes on bottom to remove batteries.

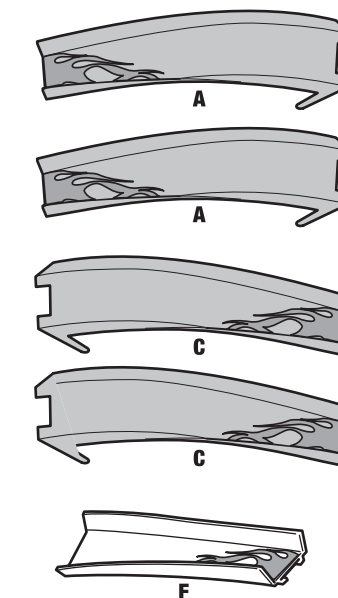
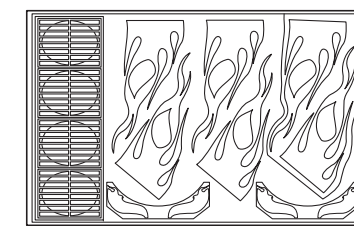
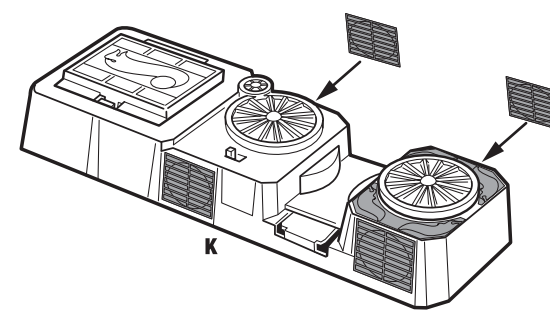


BATTERY SAFETY INFORMATION

- In exceptional circumstances batteries may leak fluids that can cause a chemical burn injury or ruin your product. To avoid battery leakage:
- Non-rechargeable batteries are not to be recharged.
 - Rechargeable batteries are to be removed from the product before being charged (if designed to be removable).
 - Rechargeable batteries are only to be charged under adult supervision (if designed to be removable).
 - Do not mix alkaline, standard (carbon-zinc), or rechargeable (nickel-cadmium) batteries.
 - Do not mix old and new batteries.
 - Only batteries of the same or equivalent type as recommended are to be used.
 - Batteries are to be inserted with the correct polarity.
 - Exhausted batteries are to be removed from the product.
 - The supply terminals are not to be short-circuited.
 - Dispose of battery(ies) safely.
 - Do not dispose of this product in a fire. The batteries inside may explode or leak.

Protect the environment by not disposing of this product with household waste [2002/96/EC]. Check your local authority for recycling advice and facilities.

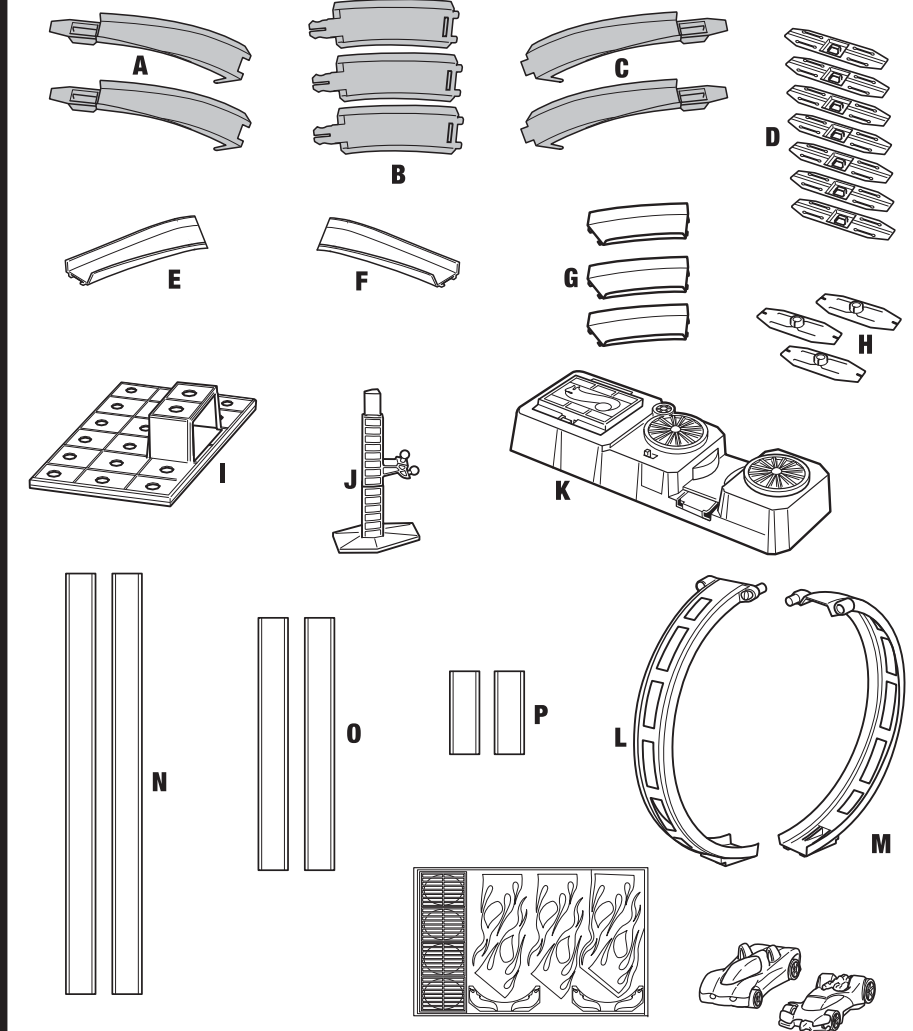
APPLY LABELS AS SHOWN.



SUPER 6-IN-1

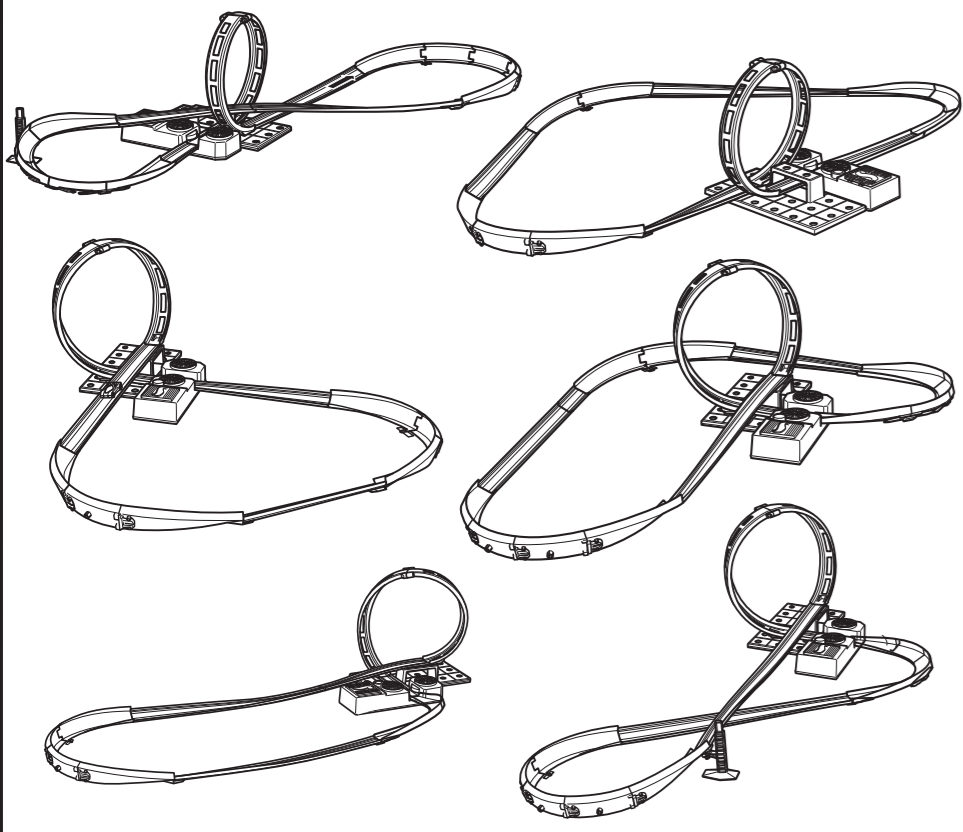
Please keep these instructions for future reference as they contain important information.

CONTENTS: Please remove everything from the package and compare to the contents shown here.



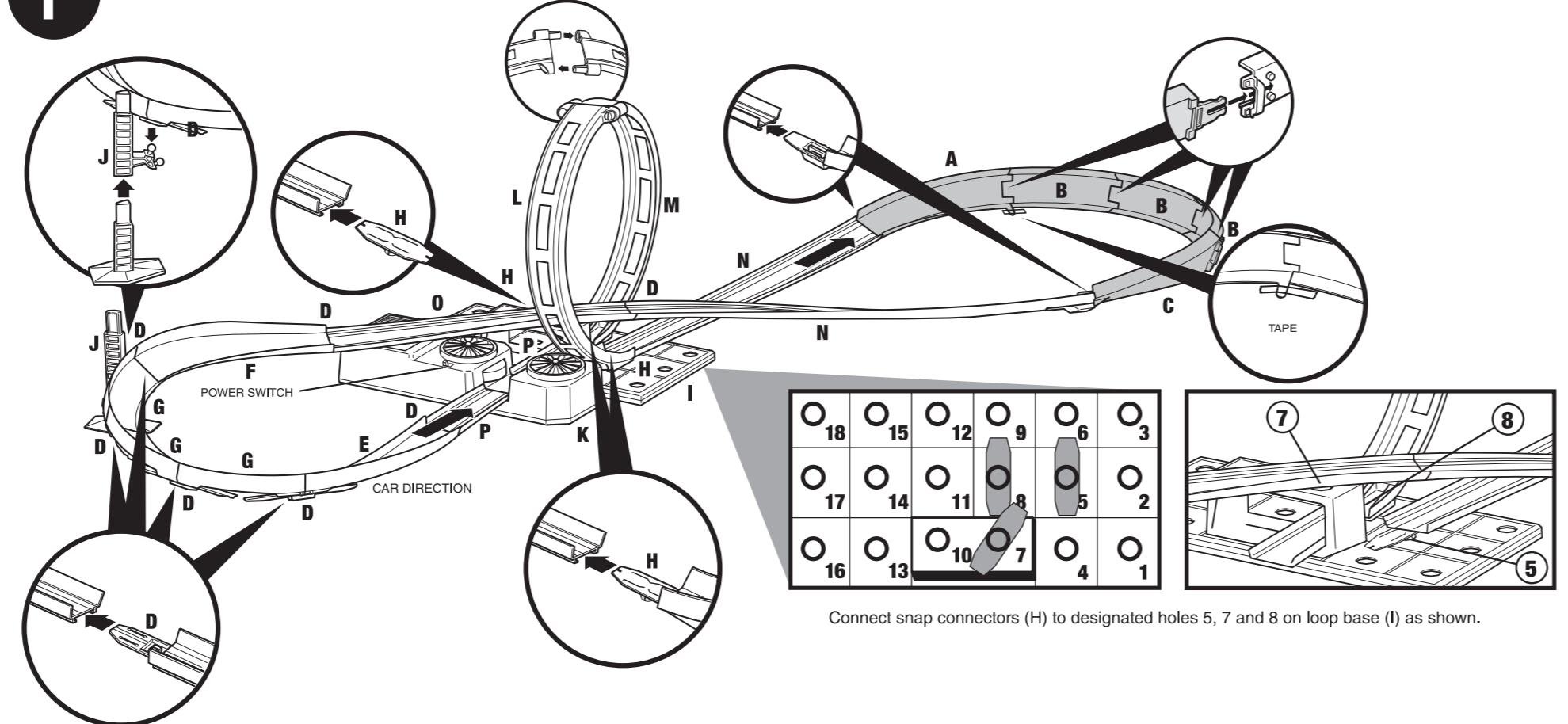
Requires 2 D Alkaline batteries (not included).

CREATE ALL SIX RACE TRACKS!



1

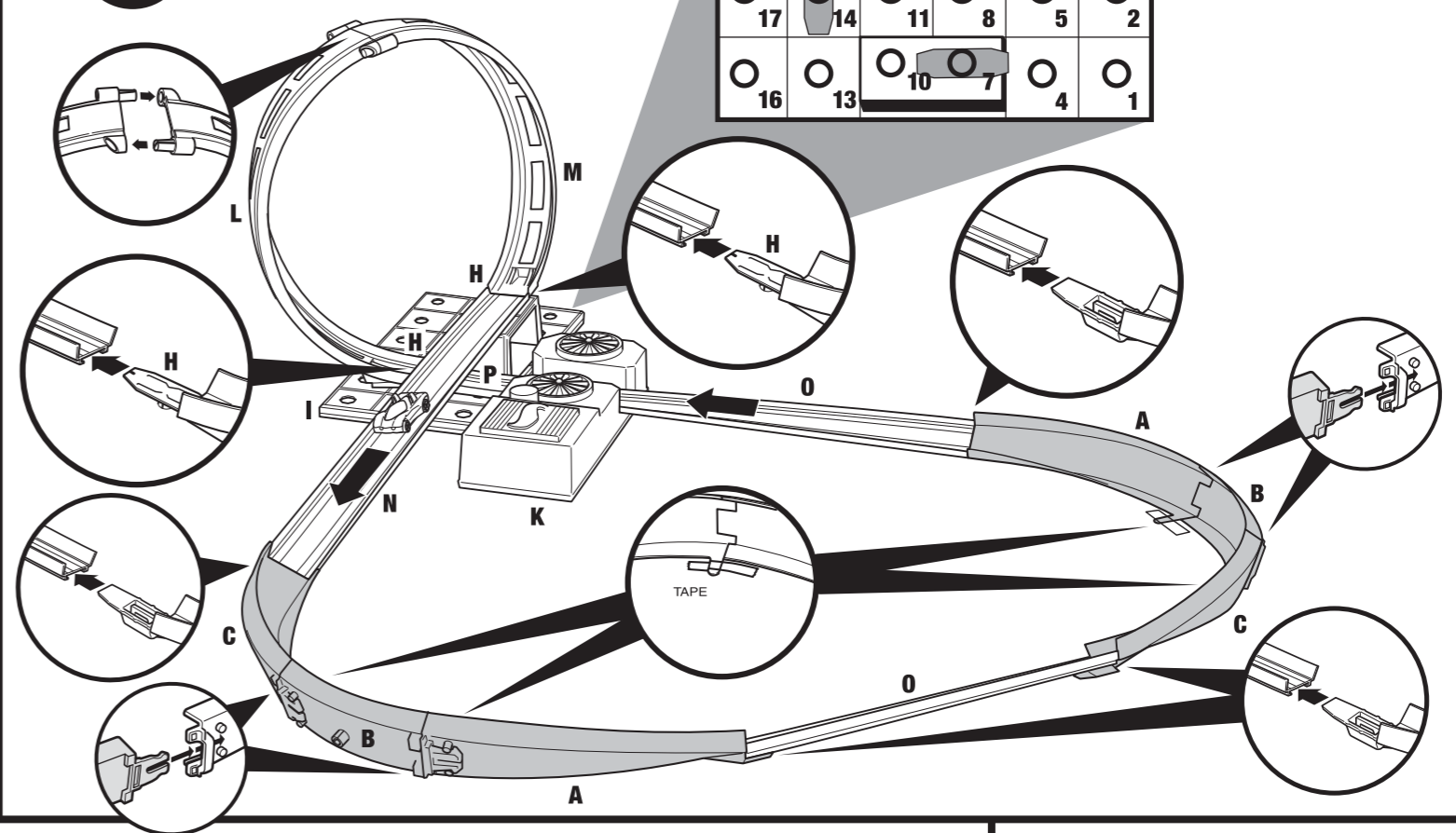
Refer to letters on contents page for assembly.



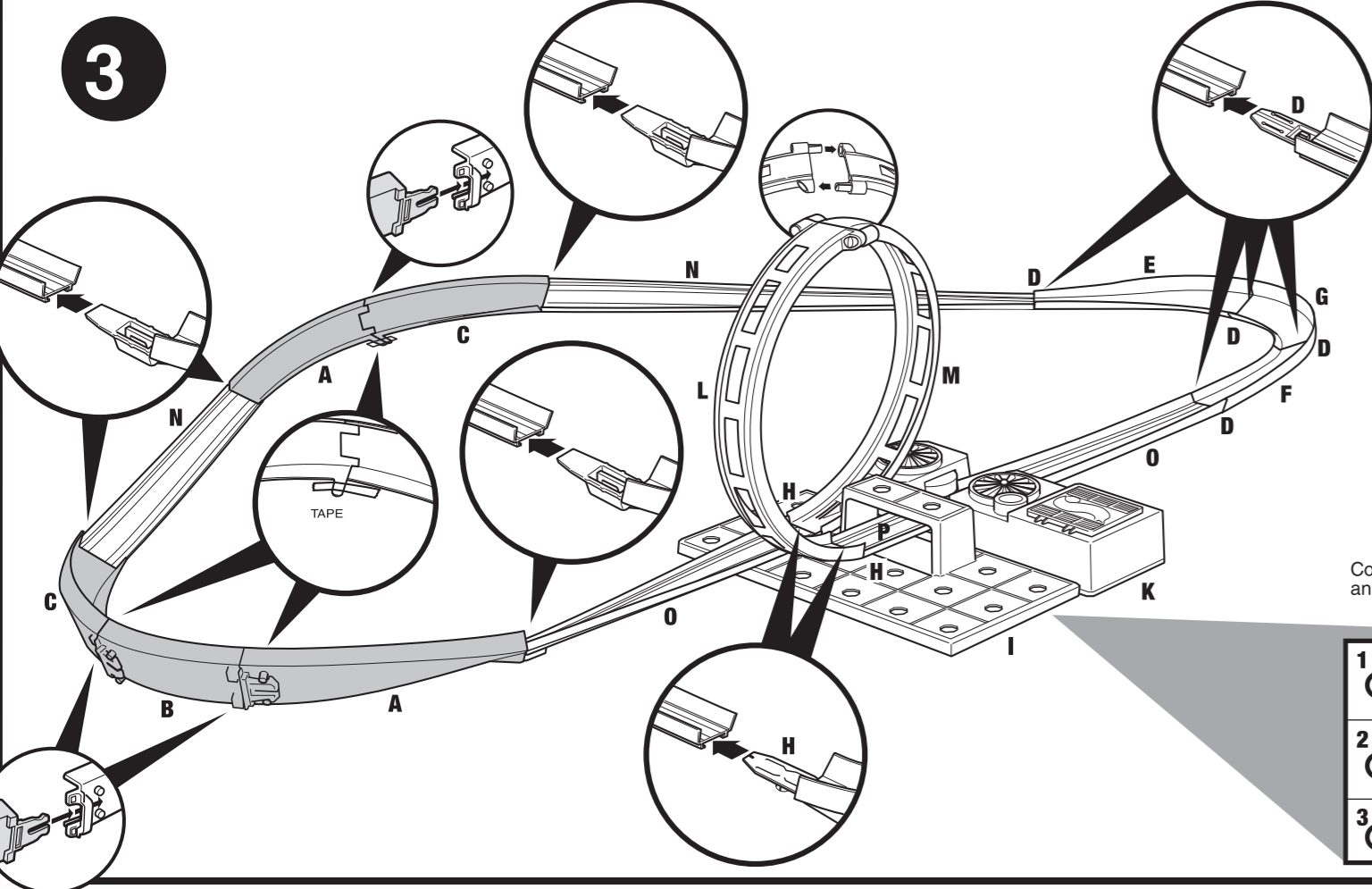
2

| | | | | | |
|----|----|----|---|---|---|
| 18 | 15 | 12 | 9 | 6 | 3 |
| 17 | 14 | 11 | 8 | 5 | 2 |
| 16 | 13 | 10 | 7 | 4 | 1 |

Connect snap connectors (H) to designated holes 7 and 14 on loop base (I) as shown.



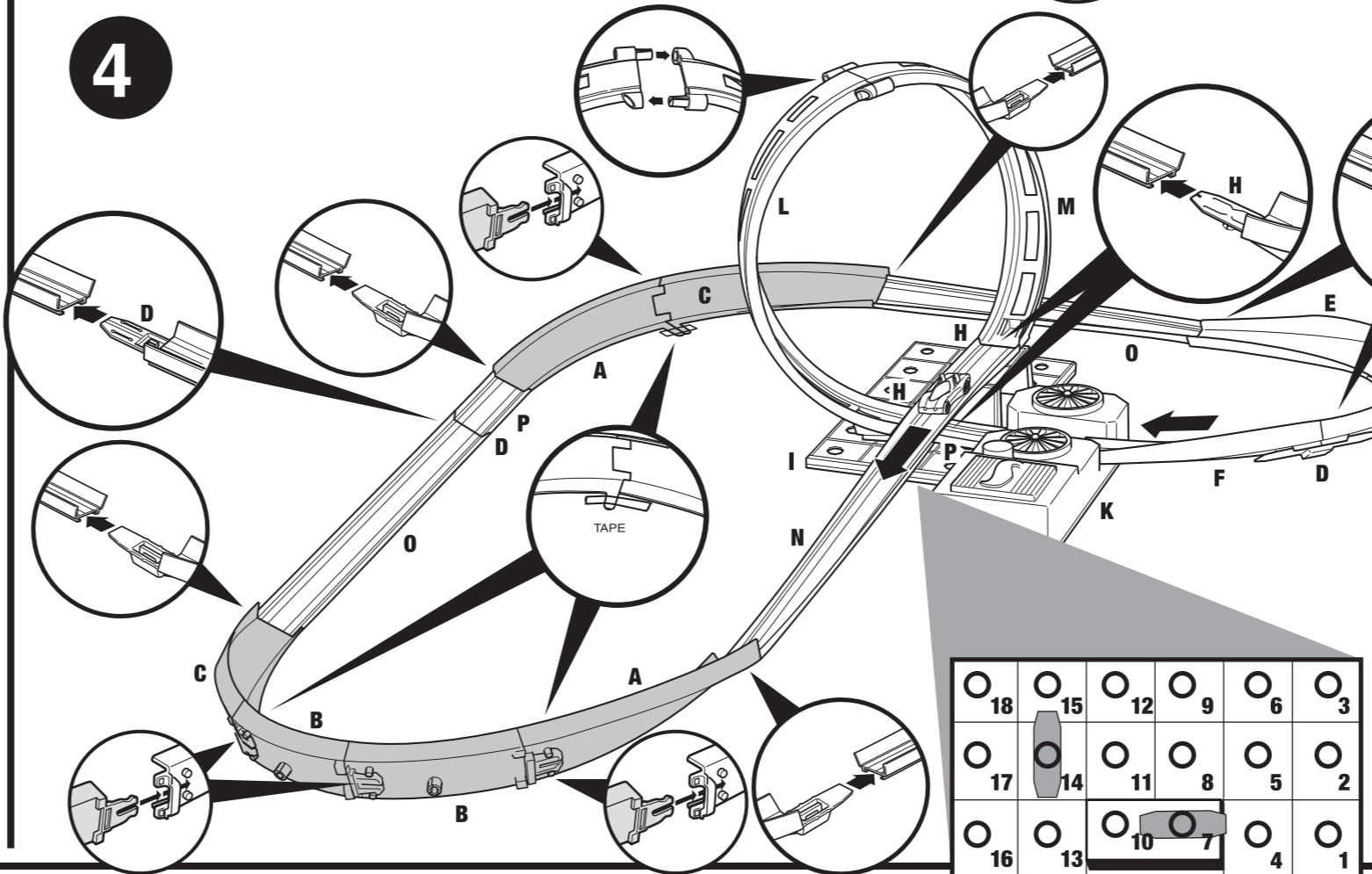
3



Connect snap connectors (H) to designated holes 5 and 8 on loop base (I) as shown.

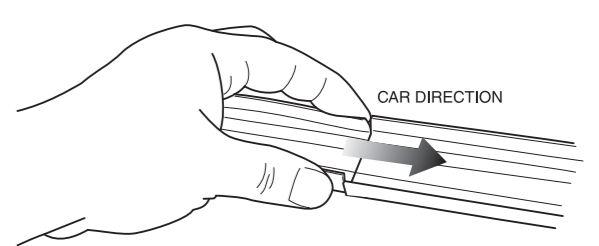
| | | | | | |
|---|---|---|----|----|----|
| 1 | 4 | 7 | 10 | 13 | 16 |
| 2 | 5 | 8 | 11 | 14 | 17 |
| 3 | 6 | 9 | 12 | 15 | 18 |

4

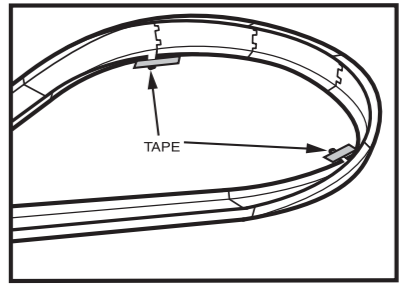


Connect snap connectors (H) to designated holes 7 and 14 on loop base (I) as shown.

TROUBLESHOOTING TIPS



Adjust track side walls at each connection point as shown.



TO STABILIZE SET: On smooth surfaces use tape on carpeted surfaces use books.

