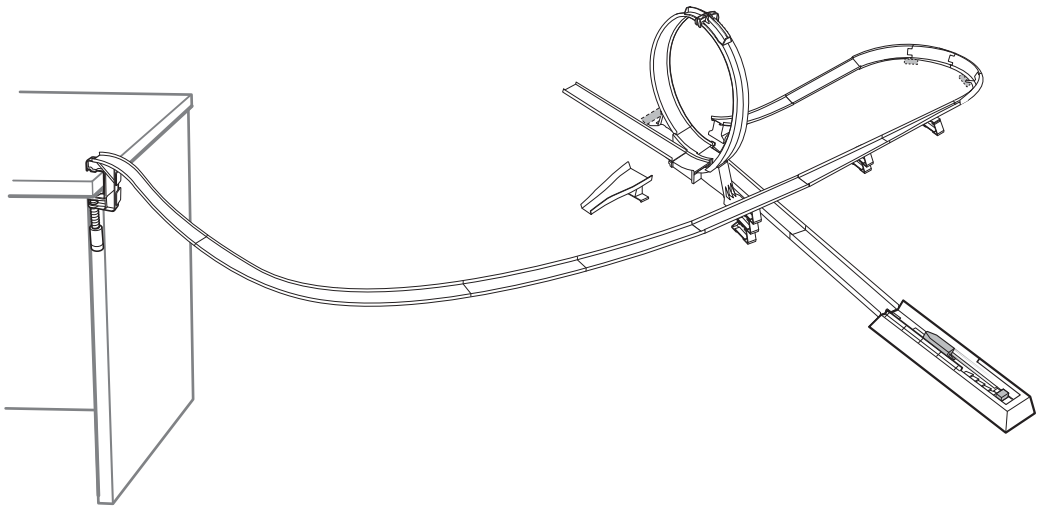


INSTRUCTIONS



TRACK BUILDER TRACK PACK



4+

service.mattel.com
HOTWHEELS.COM

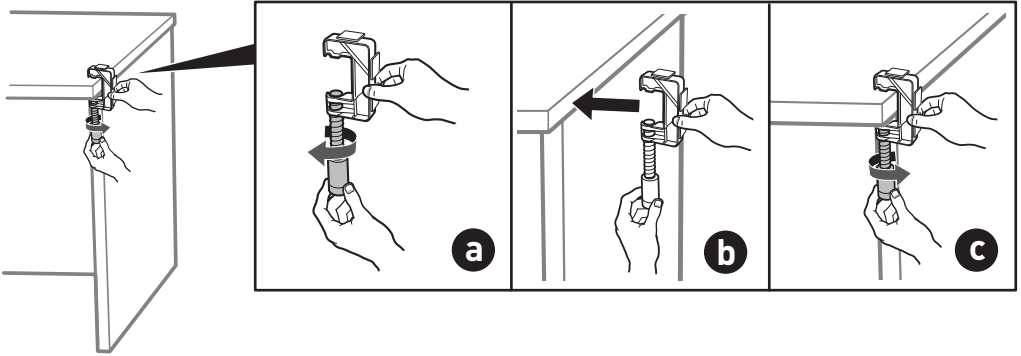


DMF73-0970-DOM

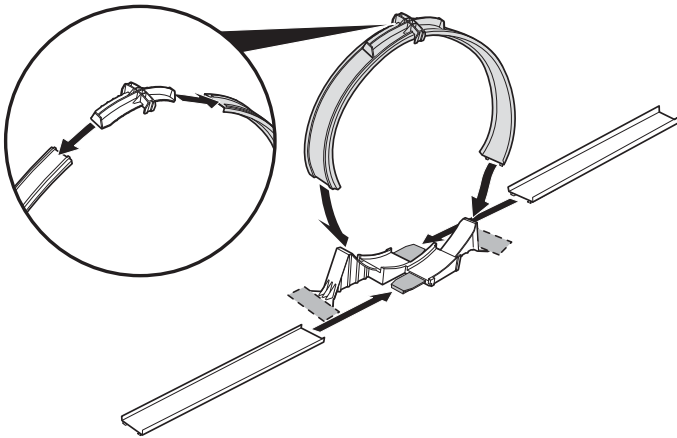
PLEASE KEEP THESE INSTRUCTIONS FOR FUTURE
REFERENCE AS THEY CONTAIN IMPORTANT INFORMATION.

ASSEMBLY

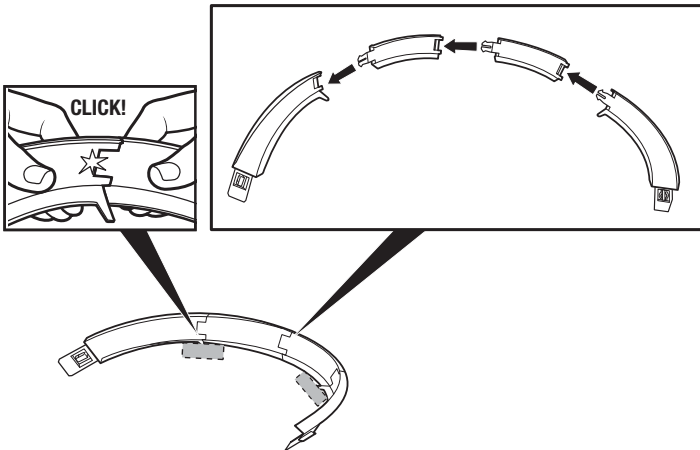
1.



2.



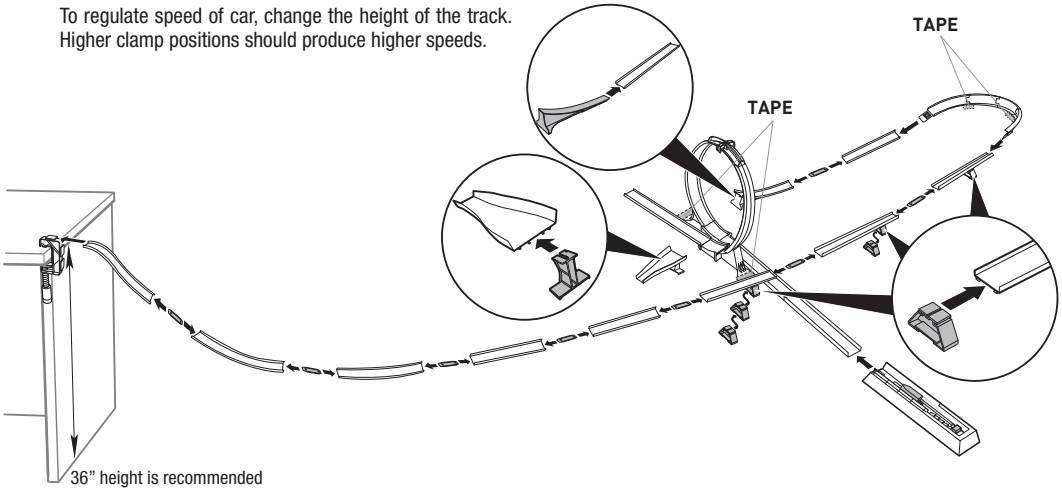
3.



ASSEMBLY (CONTD.)

4.

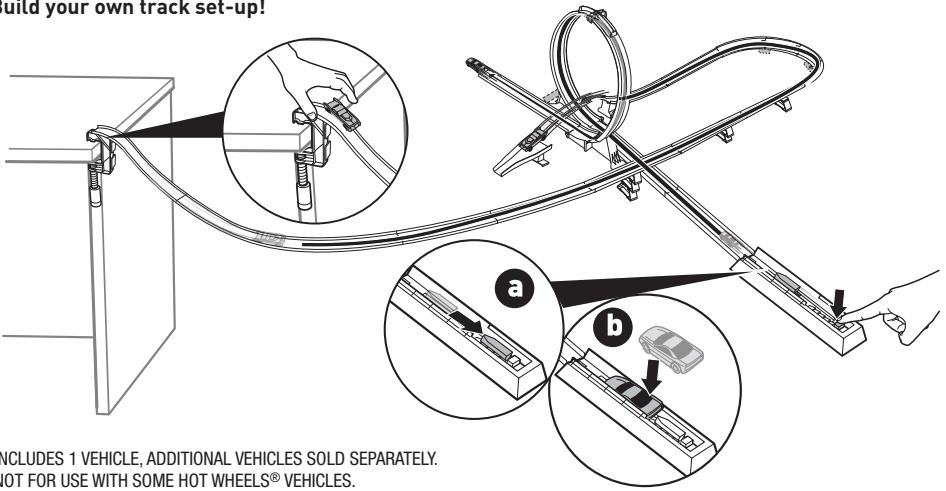
To regulate speed of car, change the height of the track. Higher clamp positions should produce higher speeds.



TO STABILIZE SET: On carpet, use books. On smooth floor, tape base to surface.

TO PLAY

Build your own track set-up!



INCLUDES 1 VEHICLE, ADDITIONAL VEHICLES SOLD SEPARATELY.
NOT FOR USE WITH SOME HOT WHEELS® VEHICLES.