

JONATHAN ADLER

CRAFTED BY

Fisher-Price®



DMK17

Keep this instruction sheet for future reference,
as it contains important information.

Requires four C (LR14) **alkaline** batteries and two AAA (LR03) **alkaline**
batteries for operation. Batteries not included.

Adult assembly is required. Tool required: Phillips screwdriver (not included).

fisher-price.com



CONSUMER ASSISTANCE

1-800-432-5437 (US & Canada)

1300 135 312 (Australia)



service.fisher-price.com

Fisher-Price, Inc., 636 Girard Avenue, East Aurora, NY 14052.

Hearing-impaired consumers: 1-800-382-7470.

Outside the United States:

Canada: Mattel Canada Inc., 6155 Freemont Blvd.,
Mississauga, Ontario L5R 3W2; www.service.mattel.com.

Great Britain: Mattel UK Ltd, Vanwall Business Park,
Maidenhead SL6 4UB. Helpline: 01628 500303.
www.service.mattel.com/uk

Mattel Europa B.V., Gondel 1, 1186 MJ Amstelveen, Nederland.

Australia: Mattel Australia Pty. Ltd., 658 Church Street,
Locked Bag #870, Richmond, Victoria 3121 Australia.

New Zealand: 16-18 William Pickering Drive,
Albany 1331, Auckland.

Jonathan Adler is a registered trademark of Jonathan Adler Enterprises, LLC and is being used pursuant to license.
© 2016 Jonathan Adler, Inc. All rights reserved.

©2016 Mattel. All Rights Reserved. * and ™ designate U.S. trademarks of Mattel, except as noted.
PRINTED IN CHINA

DMK17-0970
1101051343-DOM

CONSUMER INFORMATION



WARNING

Prevent Entanglement Injury

- Keep mobile out of baby's reach.
- Remove mobile portion of product from crib or playpen when baby begins to push up on hands and knees.
- This product may not attach to all crib designs. Do not add additional strings or straps to attach to a crib or playpen.
- Use ONLY attached to a crib.

- Use as a mobile from birth to 5 months.
- A mobile is intended for visual stimulation and not to be grasped by the child.

Care

- Wipe this toy with a clean, damp cloth. Do not immerse.

FCC STATEMENT (UNITED STATES ONLY)

This equipment has been tested and found to comply with the limits for a Class B digital device, pursuant to Part 15 of the FCC rules. These limits are designed to provide reasonable protection against harmful interference in a residential installation. This equipment generates uses and can radiate radio frequency energy and, if not installed and used in accordance with the instructions, may cause harmful interference to radio communications. However, there is no guarantee that interference will not occur in a particular installation. If this equipment does cause harmful interference to radio or television reception, which can be determined by turning the equipment off and on, the user is encouraged to try to correct the interference by one or more of the following measures:

- Reorient or relocate the receiving antenna.
- Increase the separation between the equipment and receiver.
- Consult the dealer or an experienced radio/TV technician for help.

NOTE: Changes or modifications not expressly approved by the manufacturer responsible for compliance could void the user's authority to operate the equipment.

This device complies with Part 15 of the FCC Rules. Operation is subject to the following two conditions: (1) This device may not cause harmful interference, and (2) this device must accept any interference received, including interference that may cause undesired operation.

CAN ICES-3 (B)/NMB-3 (B)

Operation is subject to the following two conditions: (1) this device may not cause interference, and (2) this device must accept any interference, including interference that may cause undesired operation of the device.

L'utilisation de ce dispositif est autorisée seulement aux conditions suivantes : (1) il ne doit pas produire de brouillage et (2) il doit pouvoir tolérer tout brouillage radioélectrique reçu, même si ce brouillage est susceptible de compromettre son fonctionnement.

PARTS



Canopy



Mobile Arm



Soother



Crib Strap



Mobile Hub



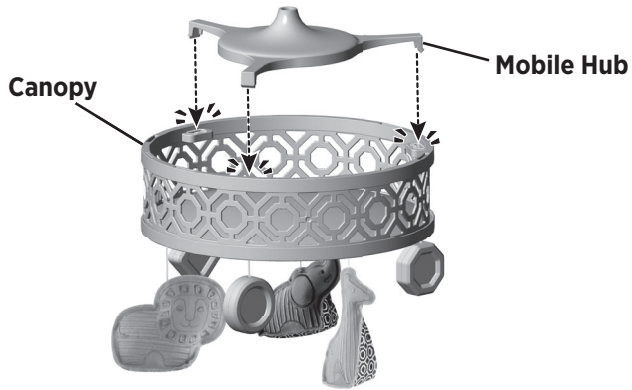
Remote

Note: All of the screws used to assemble this toy are attached to the product. Follow these instructions carefully to fully secure the screws. Tighten and loosen all screws with a Phillips screwdriver. Do not over-tighten the screws.



- Protect the environment by not disposing of this product with household waste (2012/19/EU). Check your local authority for recycling advice and facilities.

ASSEMBLY



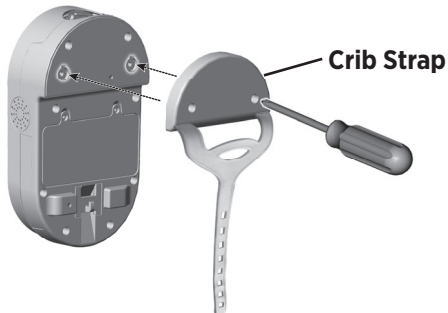
1

- “Snap” the mobile hub onto canopy.



2

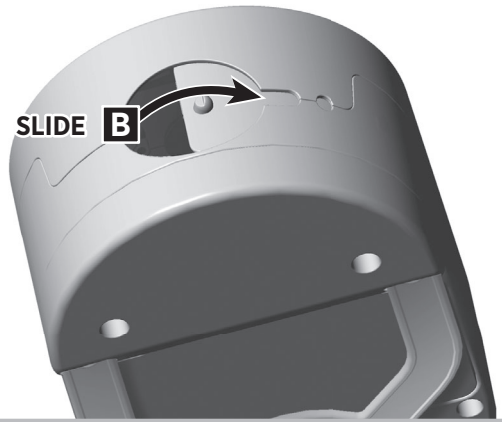
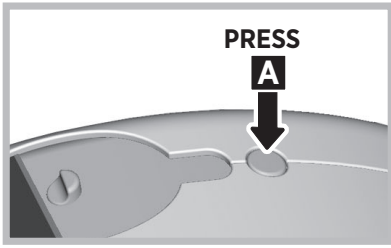
- Insert the peg on the mobile arm into the mobile assembly. Push to “snap” in place.



3

- Fit the crib strap to the soother. Tighten both screws in the crib strap.

ASSEMBLY



4

- While pressing the button on the soother **A**, slide the socket door open **B**.

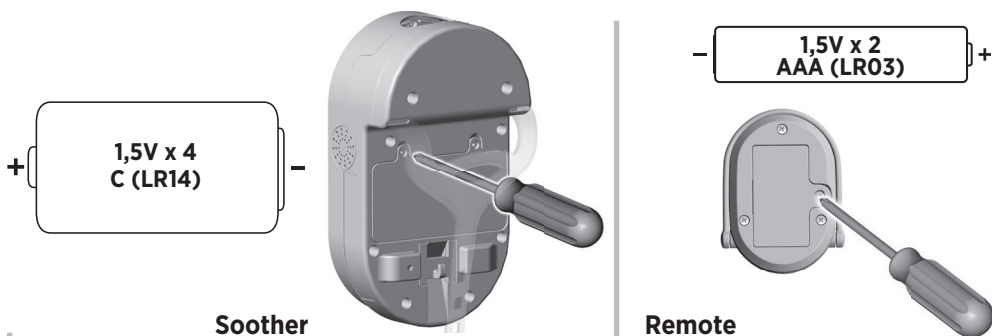


5

- Fit the mobile arm into the socket in the soother. Tighten both screws in the mobile arm.

BATTERY INSTALLATION

For longer life, use **alkaline** batteries.



Soother

- Loosen the screws in the battery compartment door and remove the door.
- Insert four C (LR14) **alkaline** batteries.
- Replace the battery compartment door and tighten the screws.
- If the soother begins to operate erratically, you may need to reset the electronics. Remove the batteries and reinstall.

IMPORTANT! Under normal use conditions, the batteries in the soother will require replacement more often than the batteries in the remote.

- When sounds/lights/projection from the soother become faint or stop, it's time for an adult to change the batteries.

Remote

- Loosen the screw in the battery compartment door and remove the door.
- Insert two AAA (LR03) **alkaline** batteries.
- Replace the battery compartment door and tighten the screw.
- If remote control begins to operate erratically, you may need to reset the electronics. Remove the batteries and reinstall.

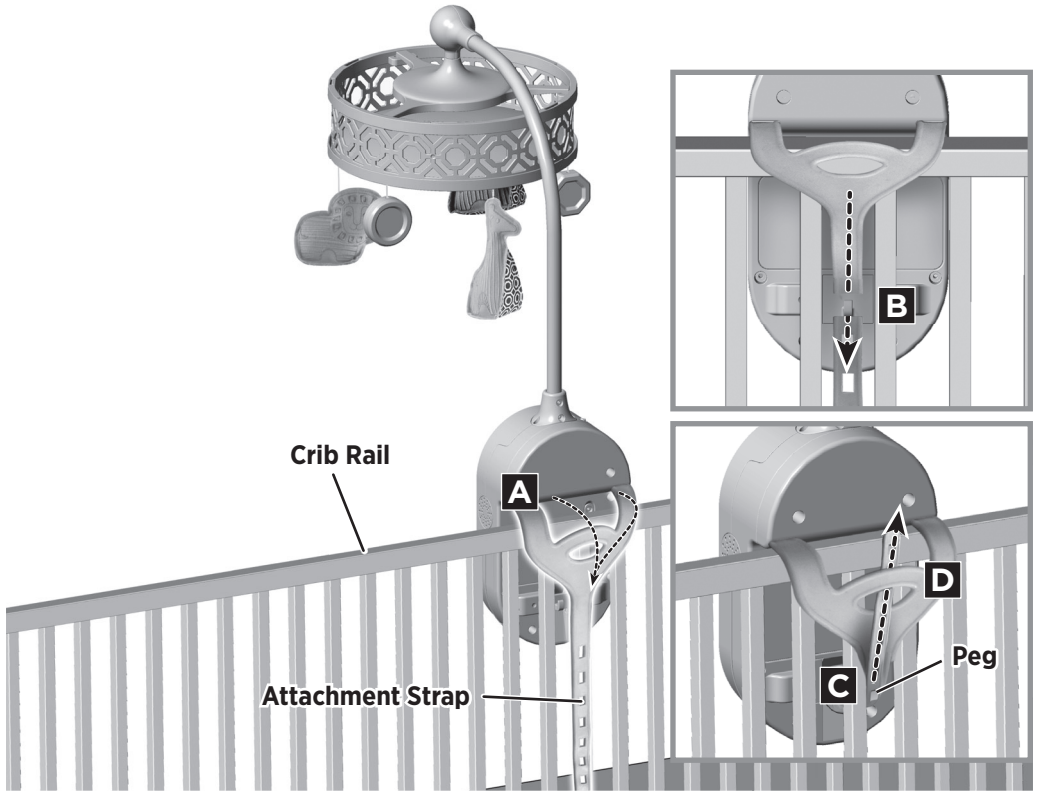
Battery Safety Information

In exceptional circumstances, batteries may leak fluids that can cause a chemical burn injury or ruin your product. To avoid battery leakage:

- Do not mix old and new batteries or batteries of different types: alkaline, standard (carbon-zinc) or rechargeable (nickel-cadmium).
- Insert batteries as indicated inside the battery compartment.
- Remove batteries during long periods of non-use. Always remove exhausted batteries from the product. Dispose of batteries safely. Do not dispose of this product in a fire. The batteries inside may explode or leak.
- Never short-circuit the battery terminals.
- Use only batteries of the same or equivalent type, as recommended.
- Do not charge non-rechargeable batteries.
- Remove rechargeable batteries from the product before charging.
- If removable, rechargeable batteries are used, they are only to be charged under adult supervision.

CRIB ATTACHMENT

IMPORTANT! Always attach all provided fasteners (strings, straps, clamps, etc.) tightly to a crib or playpen according to the instructions. Check frequently.



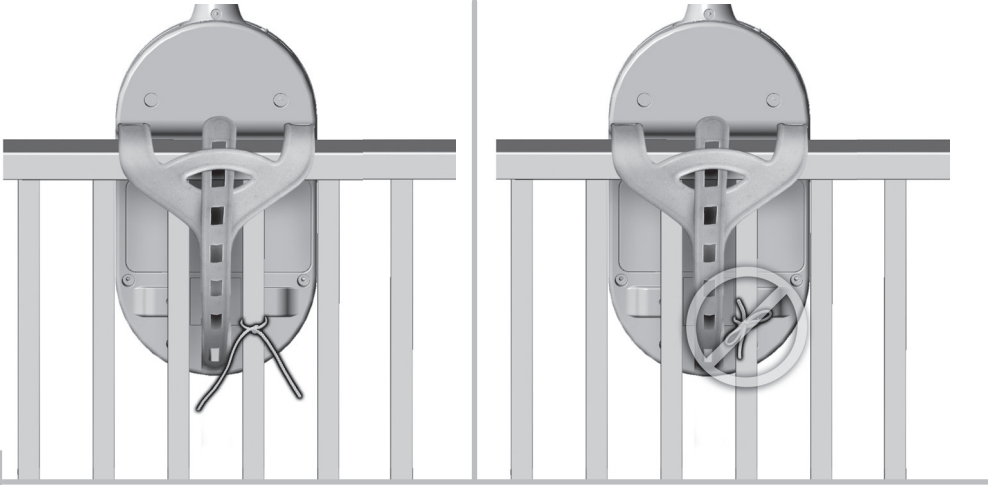
1

- Position the toy inside the crib. Make sure the attachment strap is on the outside of the crib **A**.
- Slide the end of the attachment strap down through the slot on the back of the toy **B**.
- Pull the end of the attachment strap up and fasten to the peg on the back of the toy **C**.

Note: This toy should be snug against the crib rail and spindles. Use the strap slot that provides the tightest fit.

- If you have excess strap, slide the free end of the attachment strap up through the opening near the top of the attachment strap **D**.

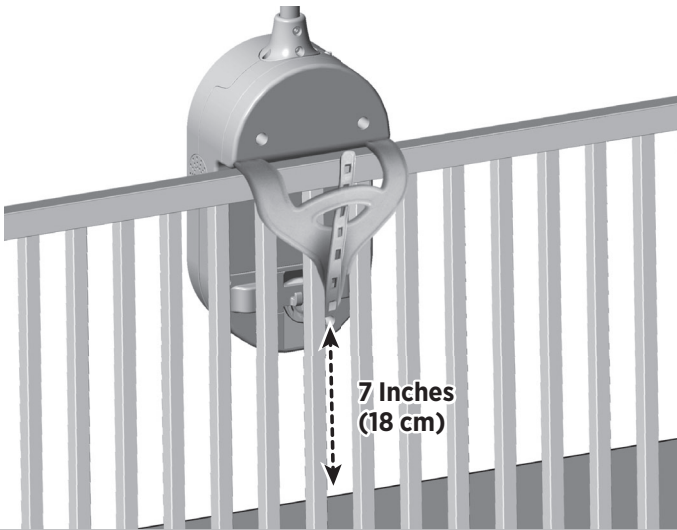
CRIB ATTACHMENT



2

- Tie the toy's strings to a crib spindle.

Note: It is better to tie the strings in a knot than a bow, since a bow may be easily untied.



3

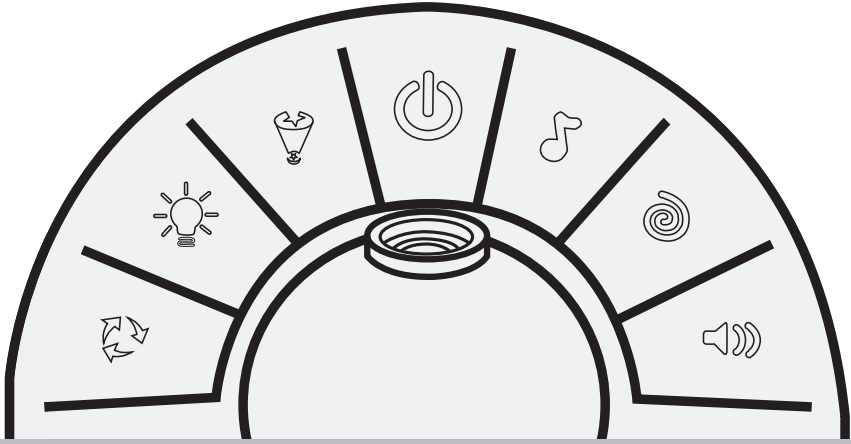
- If the distance between the base of the toy and the mattress is less than 7 inches (18 cm), lower the crib mattress.



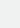





REMOTE USE



- In the unlikely event that use of the remote interferes with normal use of other remote controlled equipment, such as televisions or stereos, or use of other electronic or battery powered appliances interfere with operation of the mobile, do not use both at the same time.
- You may notice a loss of range between the remote and the soother when using in bright light. For best performance, avoid using the remote in areas of bright light. Move the soother or reduce the amount of light to improve performance.
- Point the end of the remote towards the front of the soother. Make sure there is a clear path between the remote and the soother.

MOBILE/SOOTHER USE



- Press the power button  to turn the toy ON. The toy is ready for you to make selections!
- Press any of the selection buttons to turn a feature ON. Press the same button to turn the feature OFF. For music and sounds, pressing the same button will cycle through additional choices. To turn off music and sounds, press and hold the button for several seconds.
 -  **Motion/Spinning** - Watch mobile (if attached) and projection (press Projection  button) spin.
 -  **Night Light** - Look at glowing night light.
 -  **Projection** - Watch a sweet scene projected on the ceiling.
 -  **Music** - Listen to calming music selections.
 -  **Sounds** - Listen to soothing sounds.
- Press the volume button  to increase volume. Press again and again to cycle through increasing volume until volume turns off.
- Press the button on the remote to turn mobile motion on or off.

Hints

- Motion/projection time out after approximately 15 minutes. To conserve battery life, always turn off motion/spinning when not in use.
- Music/sounds time out after approximately 30 minutes. Press the power button or the remote to restart.

CONVERT TO SOOTHER



- Remove the mobile from the crib.
- Loosen the screws in the mobile arm and remove it **A**. Store the mobile in a safe place for future use.
- Slide the socket door on the top of the soother closed **B**.
- Attach the soother to the crib. Please refer to the **Crib Attachment** section for instructions.