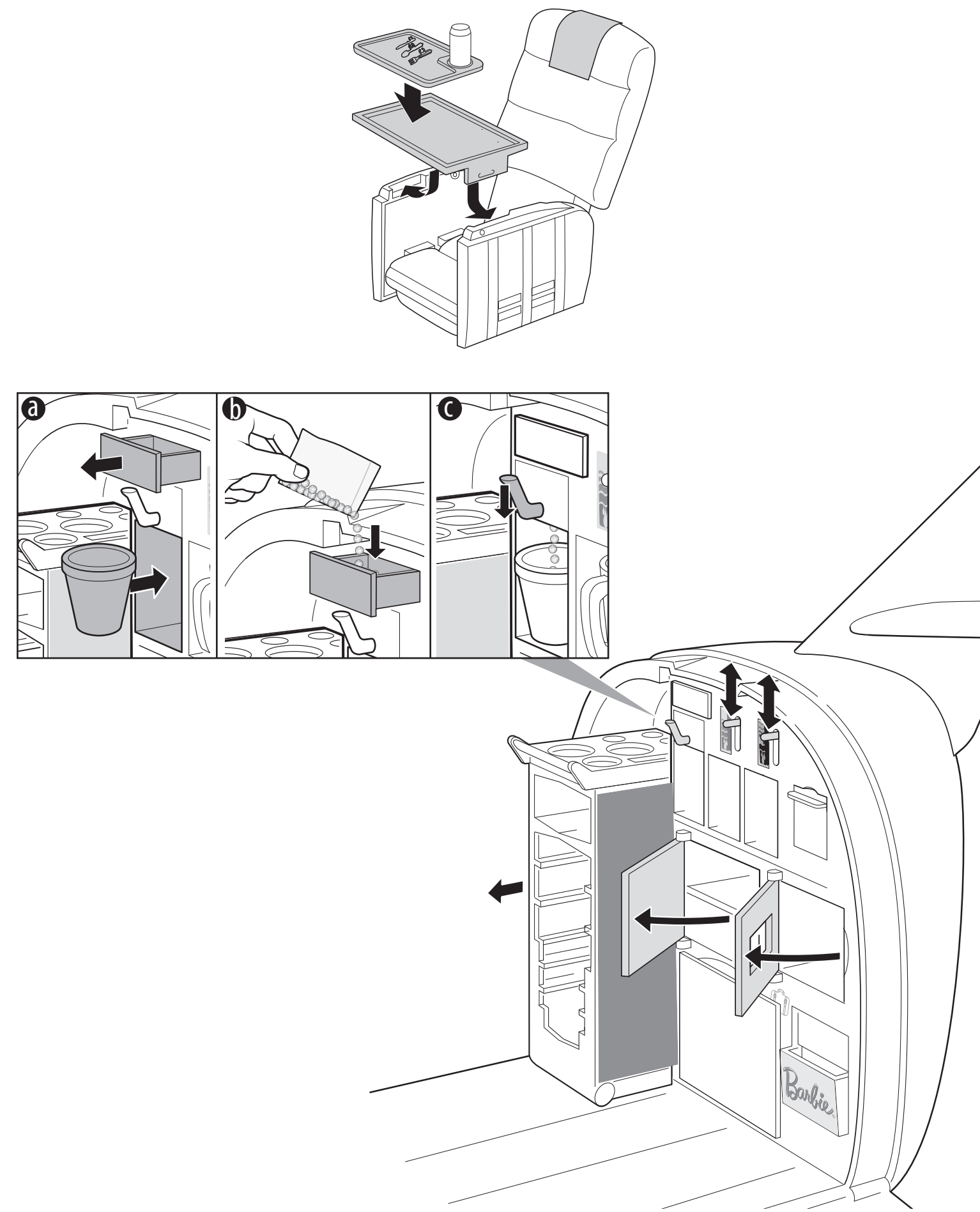
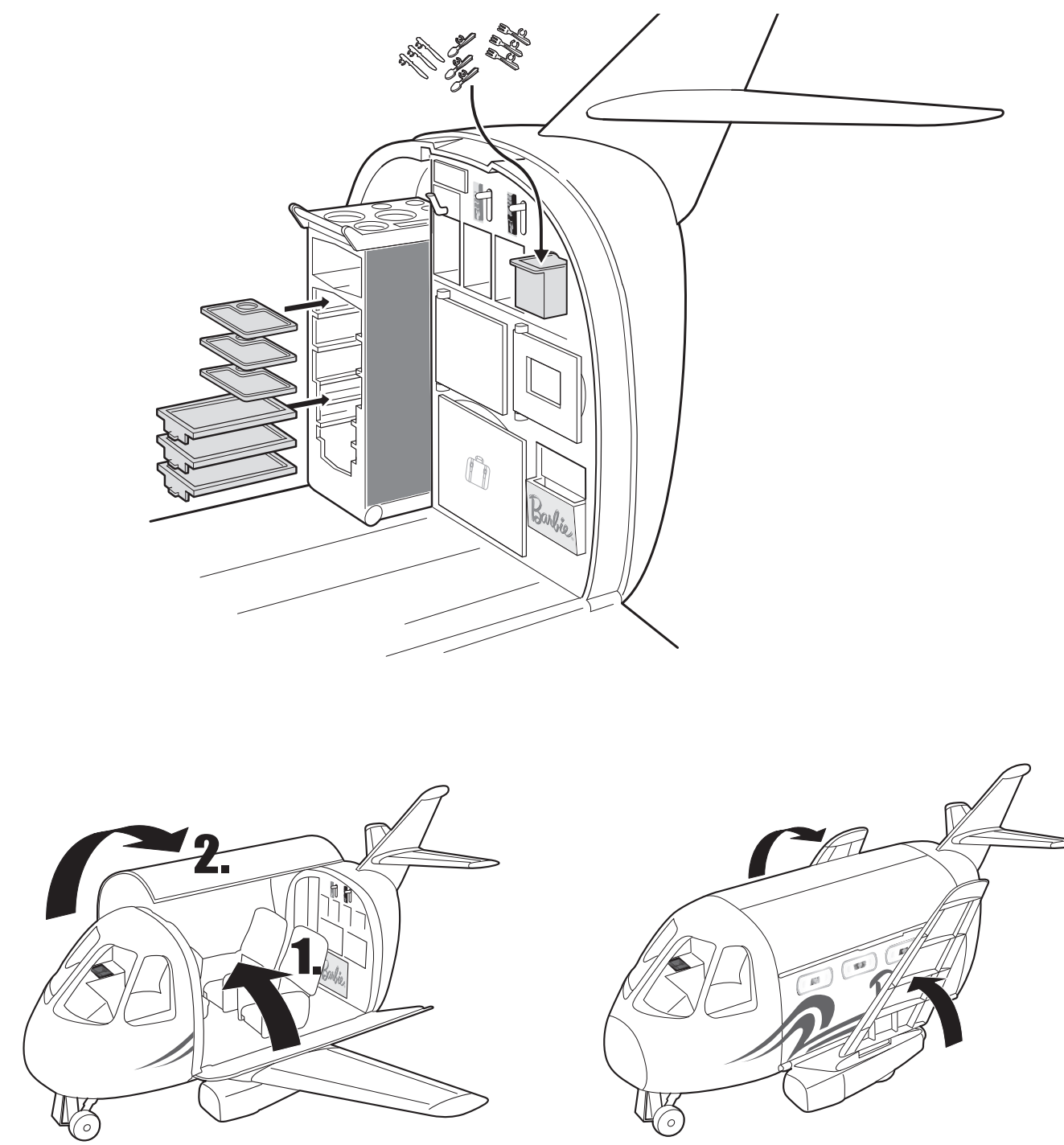


Food server



5

Storage

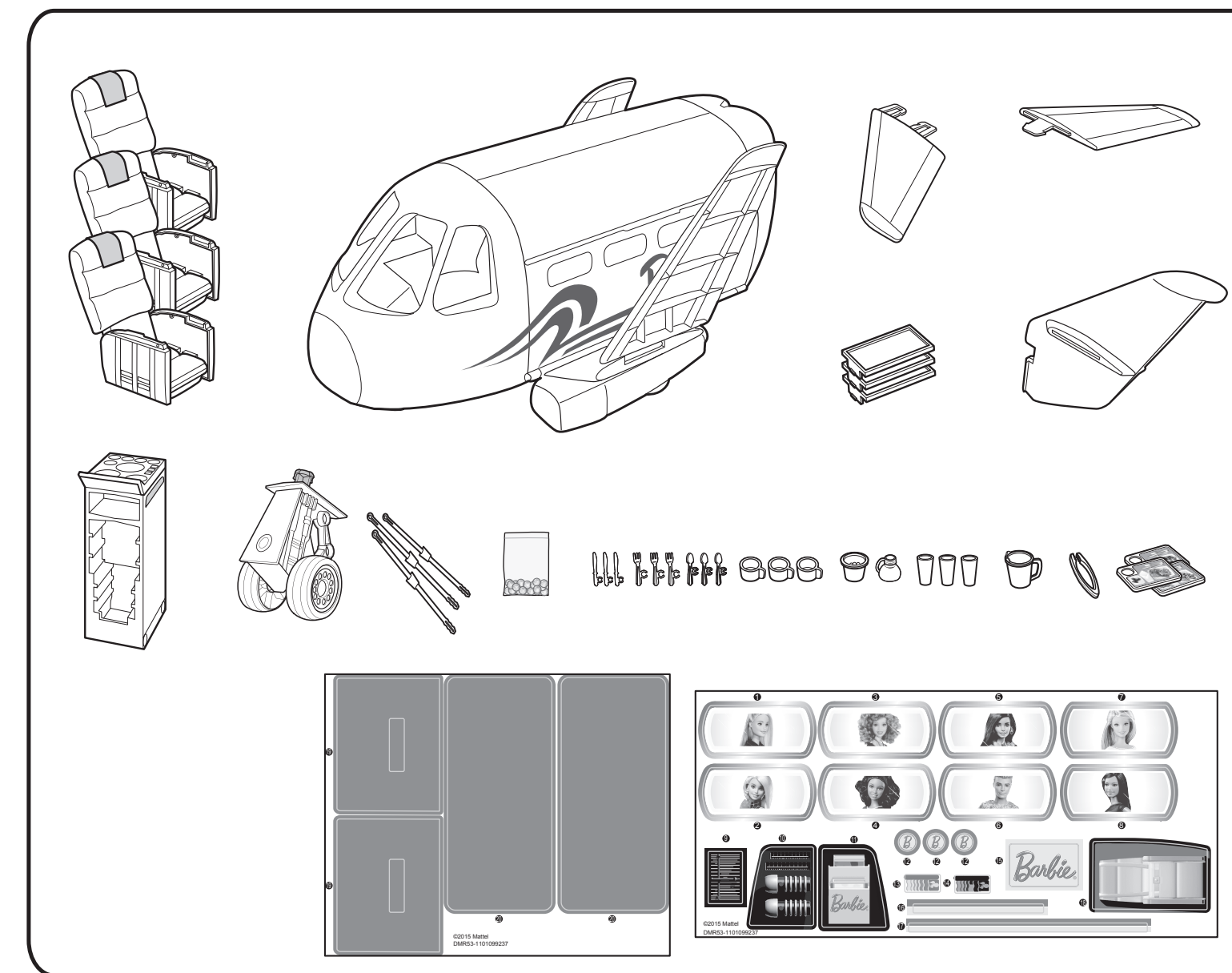


6

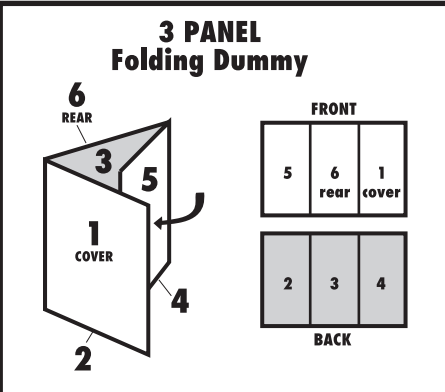


INSTRUCTIONS

3+ DMR53



INSTRUCTION SHEET SPECIFICATIONS
 Toy: TGT BRB JET
 Toy No.: DMR53
 DMR53-0970
 Part No.: 1100822584-DOM
 Trim Size: 25.5" W x 11" H
 Folded Size: 8.5" W x 11" H
 Type of Fold: 3 panel
 # colors: One
 Colors: Black
 Paper Stock: recycled paper
 Paper Weight: 70 gsm
 EDM No.:



CONSUMER INFORMATION

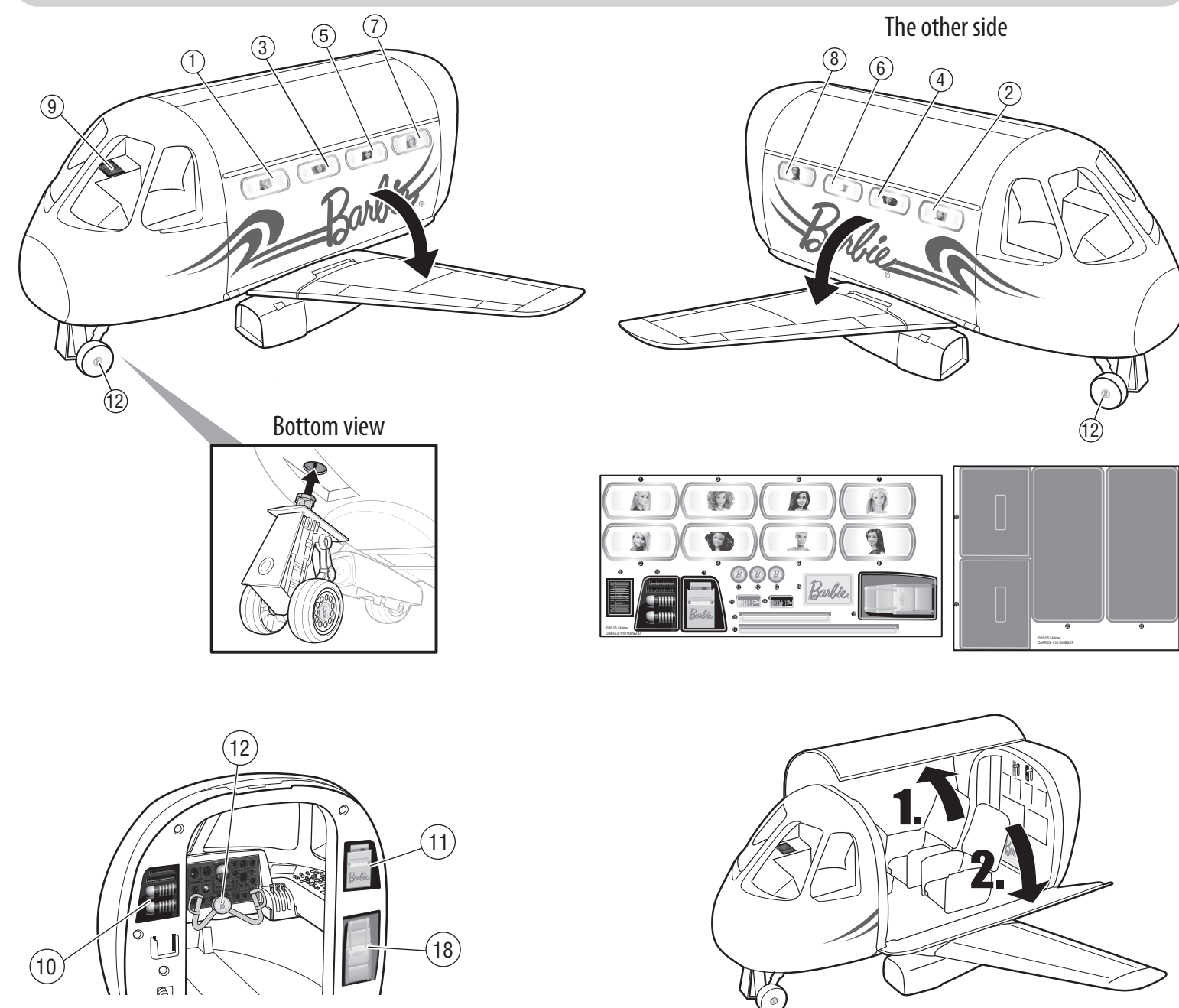
Need Assistance? Visit service.mattel.com or call 1-800-524-8697 (U.S. and Canada only).
 SERVICE.MATTEL.COM
 Mattel, Inc., 636 Girard Avenue, East Aurora, NY 14052, U.S.A. Consumer Services 1-800-524-8697.
 Mattel U.K. Ltd., Vanwall Business Park, Maidenhead SL6 4UB. Helpline 01628 500303.
 Mattel Australia Pty., Ltd., Richmond, Victoria, 3121. Consumer Advisory Service - 1300 135 312.
 Mattel East Asia Ltd., Room 503-09, North Tower, World Finance Centre, Harbour City, Tsimshatsui, HK, China. Tel.: (852) 3185-6500.
 Diimport & Diedarkan Oleh: Mattel Southeast Asia Pte. Ltd., No 19-1, Tower 3 Avenue 7, Bangsar South City, No 8, Jalan Kerinchi, 59200 Kuala Lumpur, Malaysia. Tel: 03-78803817, Fax: 03-78803867.

WARNING: CHOKING HAZARD - Small parts. Not for children under 3 years.
 Contents: Please remove everything from the package and compare to the contents shown here. If any items are missing, please contact your local Mattel office. Keep these instructions for future reference as they contain important information.

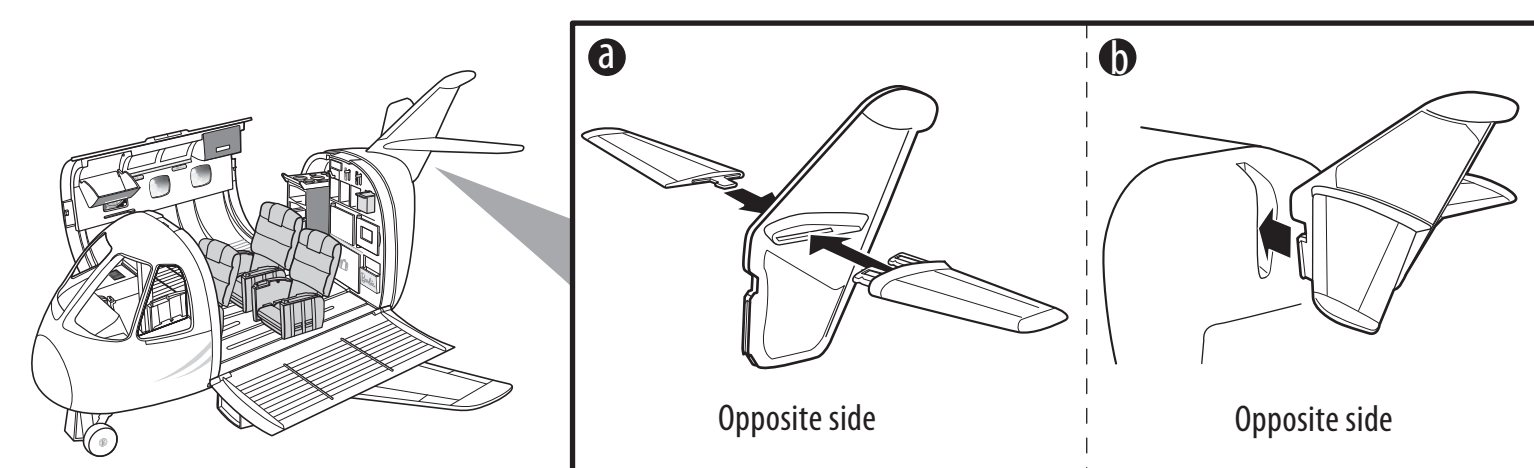
©2015 Mattel. All Rights Reserved.

DMR53-0970
 1100822584-DOM

Open airplane and apply labels

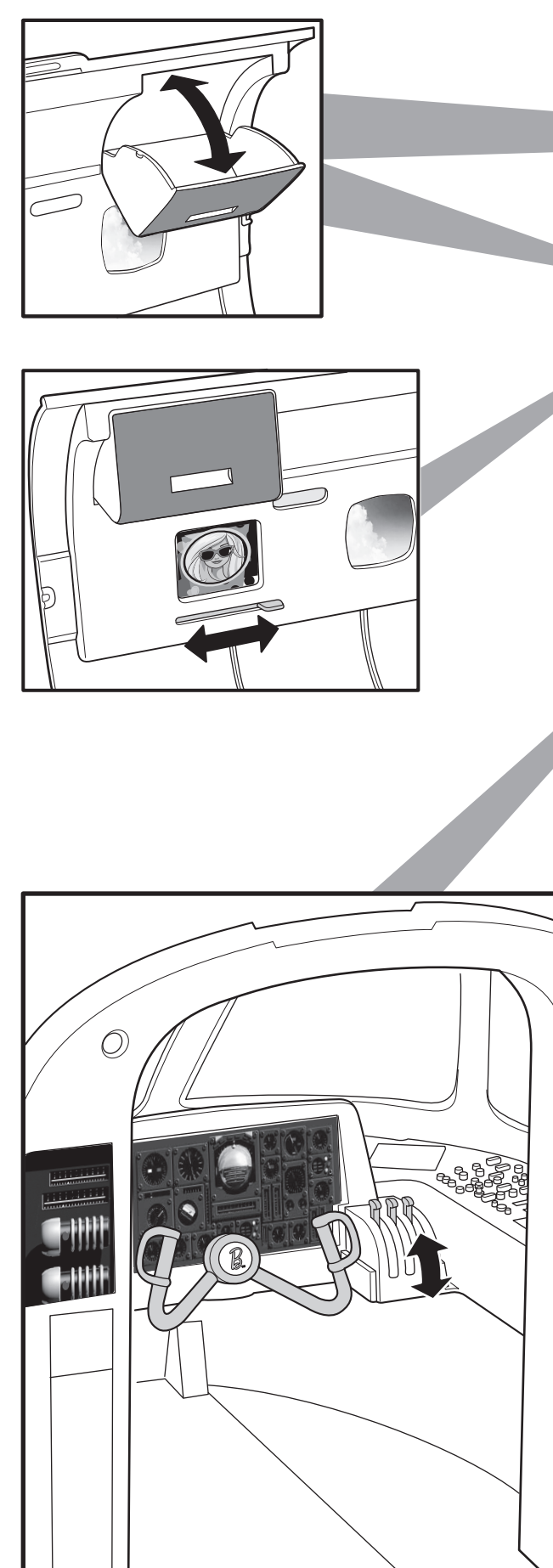


Assemble tail



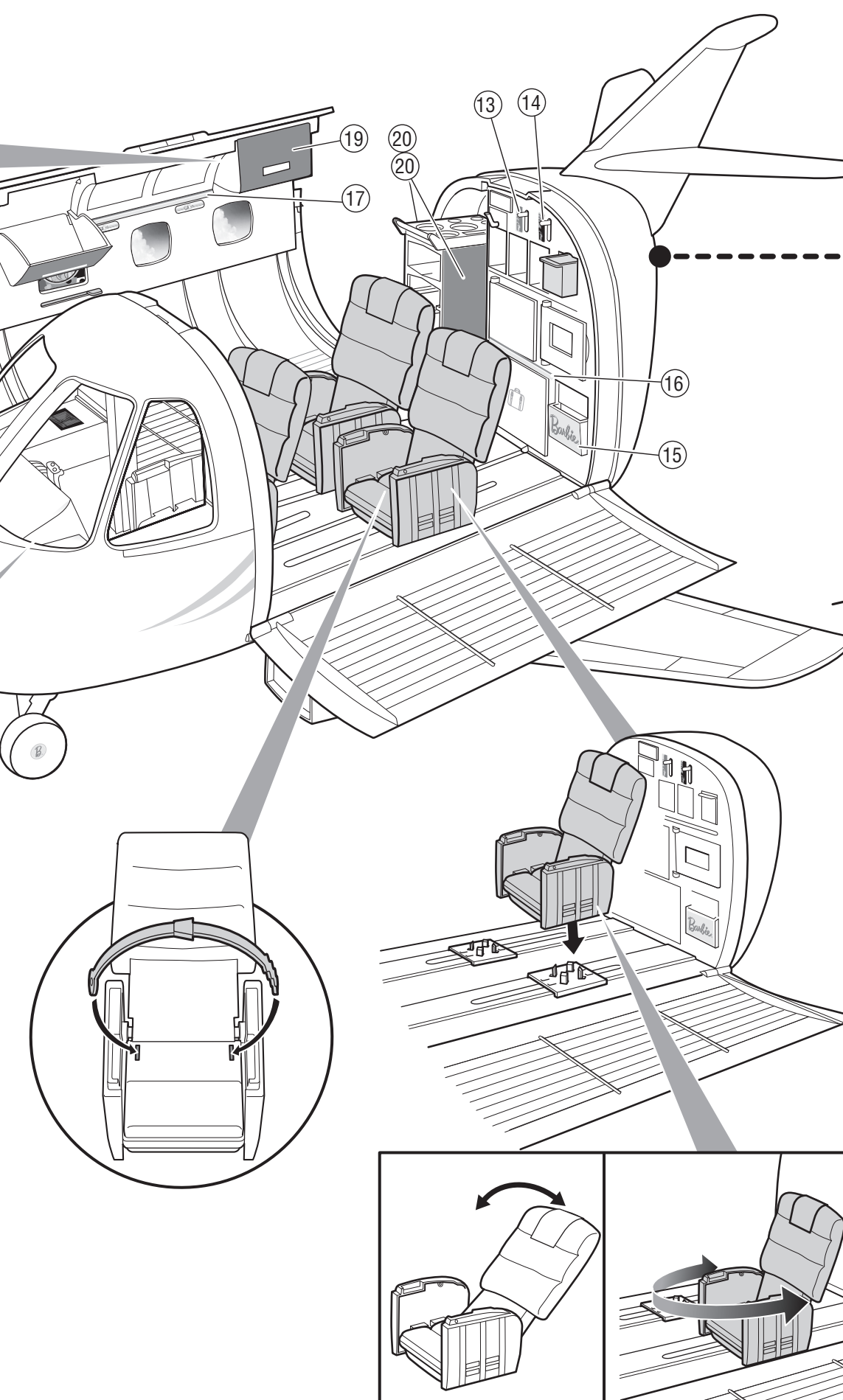
2

Play activity



3

Apply interior labels



4

Galley area

