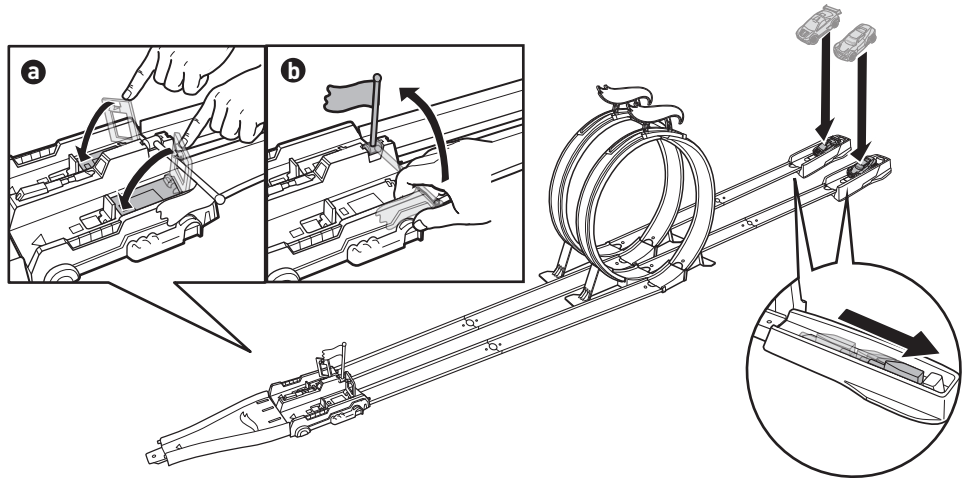


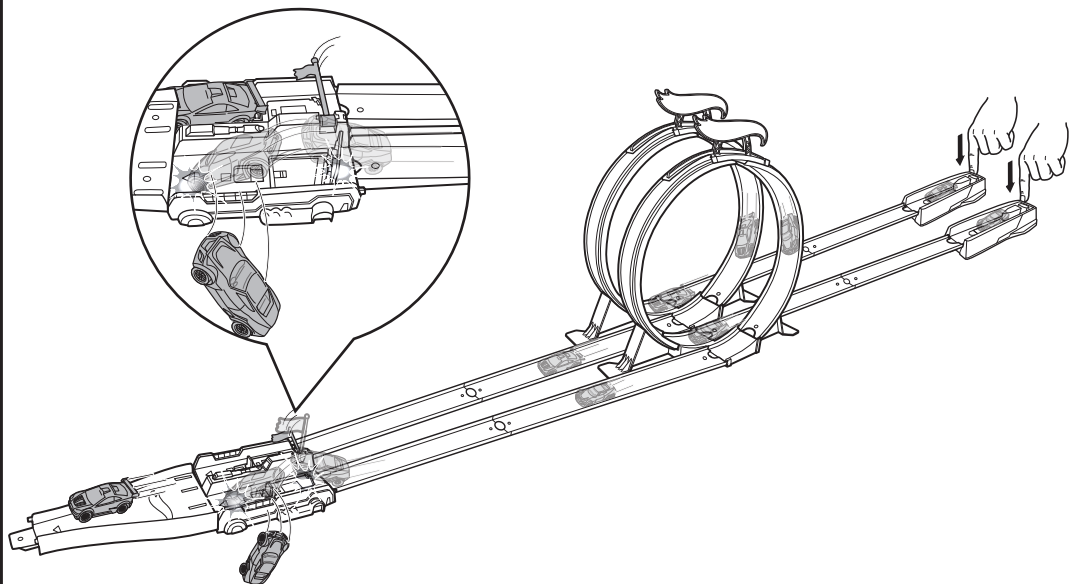
# TO PLAY

1. Push flip gates down and center the flag. Load 2 cars for the race.



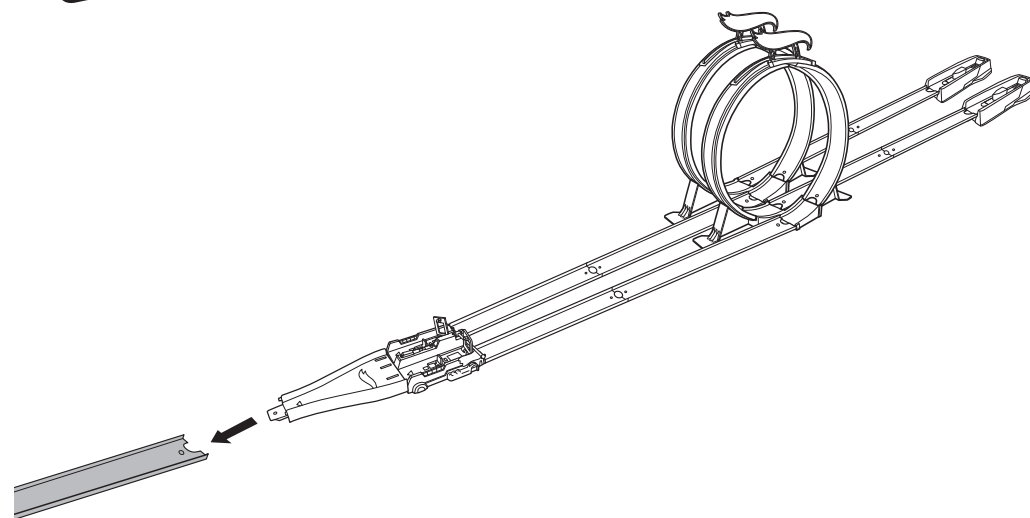
4-SPEED LAUNCHER: TRY DIFFERENT LAUNCH SETTINGS TO FIND THE BEST PERFORMANCE.

2. Flag falls on side of winner! Loser gets thrown off the track!



NOT FOR USE WITH SOME HOT WHEELS® VEHICLES.

# MORE WAYS TO PLAY



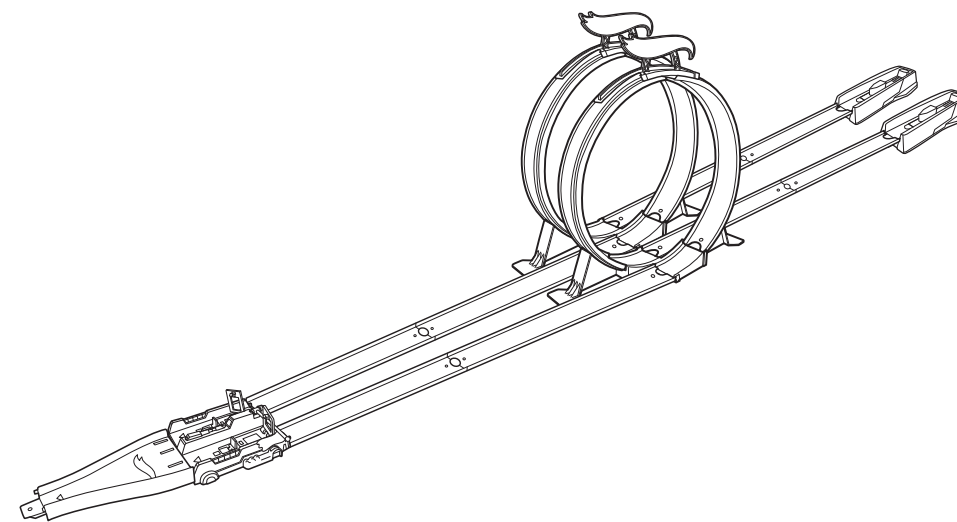
CONNECT TO OTHER HOT WHEELS® SETS (SOLD SEPARATELY, SUBJECT TO AVAILABILITY).

©2015 Mattel. All Rights Reserved. Mattel, Inc., 636 Girard Avenue, East Aurora, NY 14052, U.S.A. Consumer Services 1-800-524-8697. Mattel U.K. Ltd., Vanwall Business Park, Maidenhead SL6 4UB. Helpline 01628 500303. Mattel Australia Pty., Ltd., Richmond, Victoria. 3121. Consumer Advisory Service - 1300 135 312. Mattel East Asia Ltd., Room 503-09, North Tower, World Finance Centre, Harbour City, Tsimshatsui, HK, China. Tel.: (852) 3185-6500. Diimport & Diedarkan Oleh: Mattel Southeast Asia Pte. Ltd., No 19-1, Tower 3 Avenue 7, Bangsar South City, No 8, Jalan Kerinchi, 59200 Kuala Lumpur, Malaysia. Tel: 03-78803817, Fax: 03-78803867.

# INSTRUCTIONS



## DASH&CRASH™ SPEEDWAY



4+

service.mattel.com  
HOTWHEELS.COM



DMW91-0970  
1100995962-DOM

PLEASE KEEP THESE INSTRUCTIONS FOR FUTURE REFERENCE AS THEY CONTAIN IMPORTANT INFORMATION.

