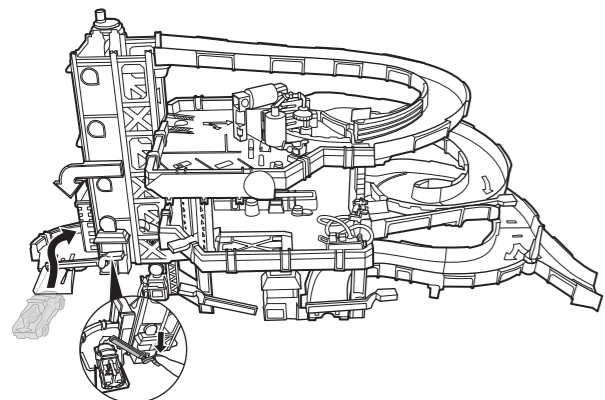
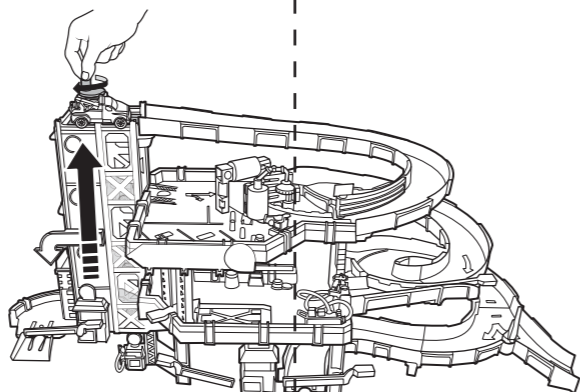


3 TO PLAY

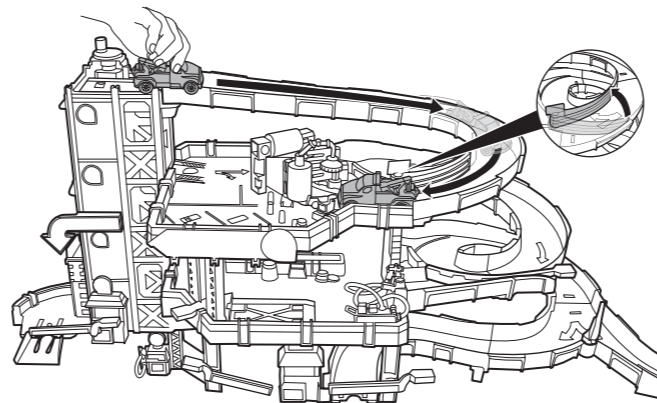
1. OPEN GATE AND DRIVE INTO THE ELEVATOR.



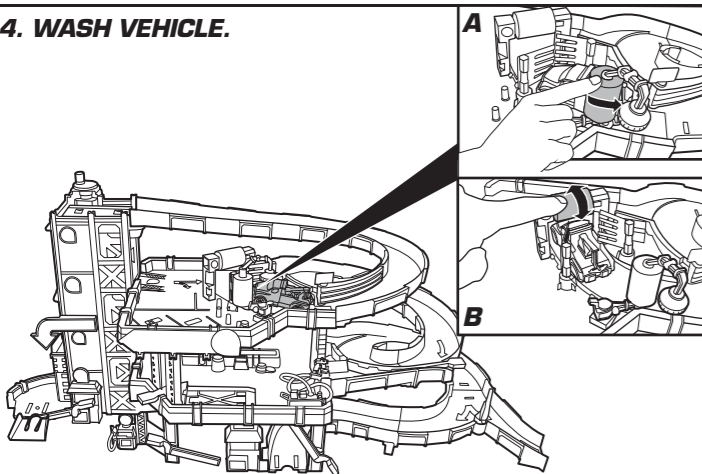
2. WIND CRANK TO LIFT VEHICLE TO THE TOP FLOOR.



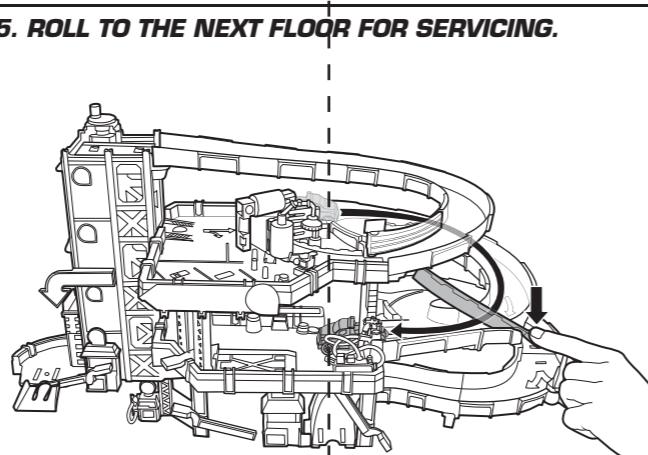
3. PUSH VEHICLE TO ROLL TO THE CAR WASH.



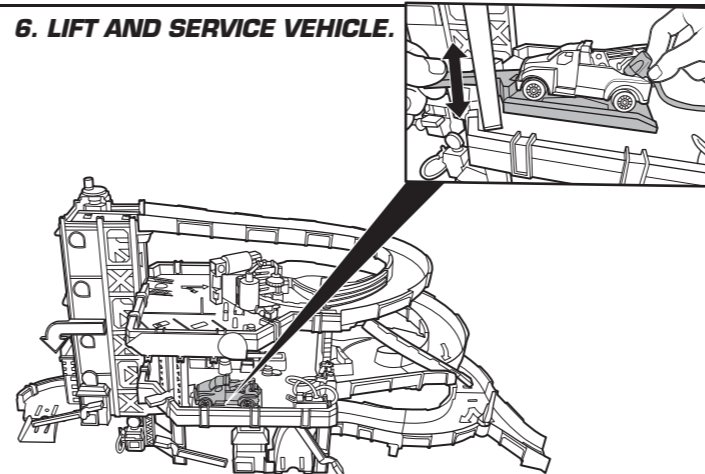
4. WASH VEHICLE.



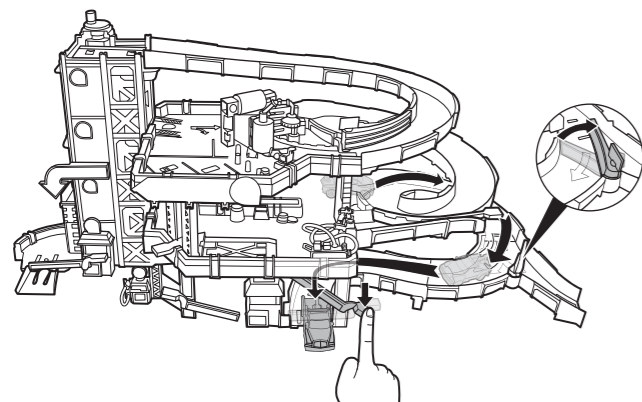
5. ROLL TO THE NEXT FLOOR FOR SERVICING.



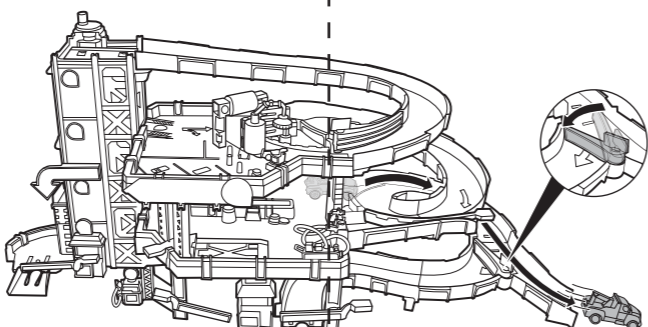
6. LIFT AND SERVICE VEHICLE.



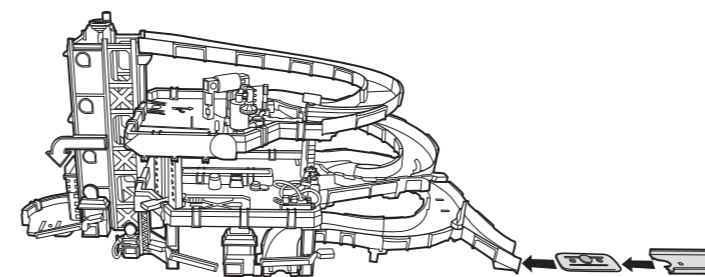
7. ROLL TO THE EXIT.



8. OR USE DIVERTER TO ROLL DOWN THE RAMP.



ADD TO YOUR MATCHBOX® AND HOT WHEELS® SETS.



NOT FOR USE WITH SOME MATCHBOX® AND HOT WHEELS® VEHICLES AND PLAYSETS.

MATCHBOX

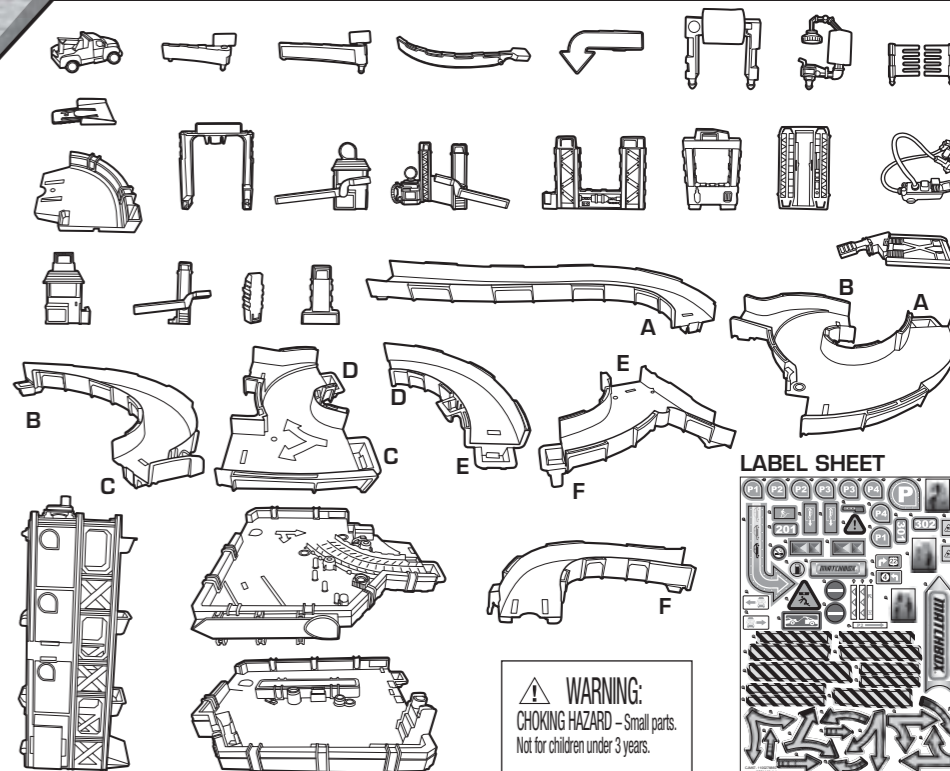
ON A MISSION™



CJM67-0970G1
1100303078_DOM

INSTRUCTIONS:
MISSION:™ 4-LEVEL GARAGE

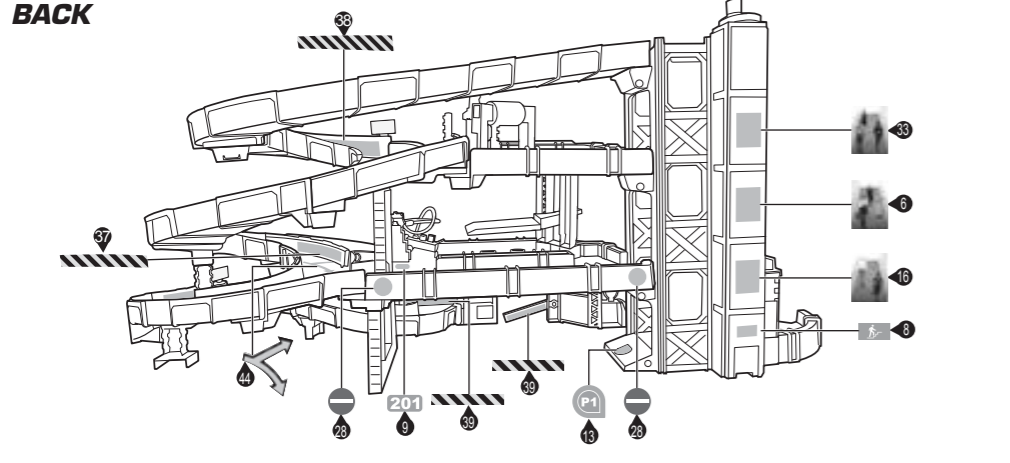
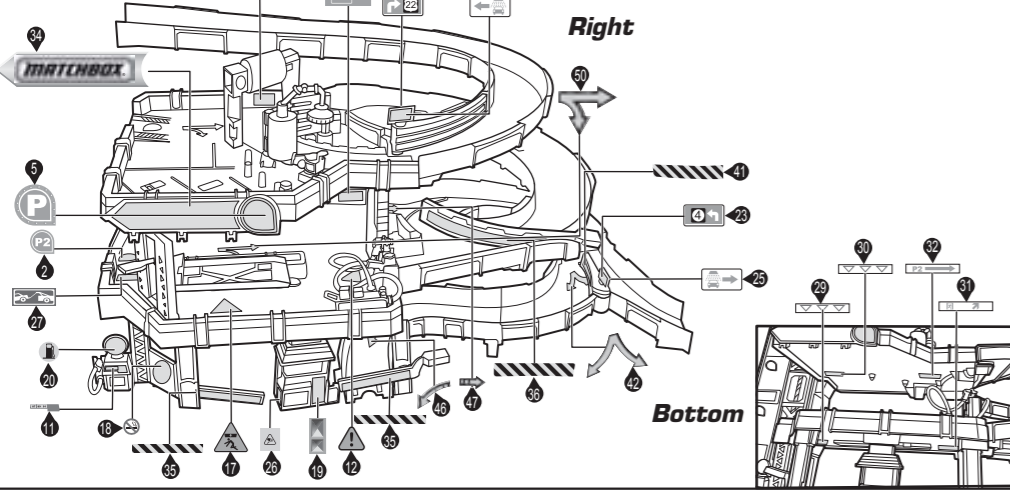
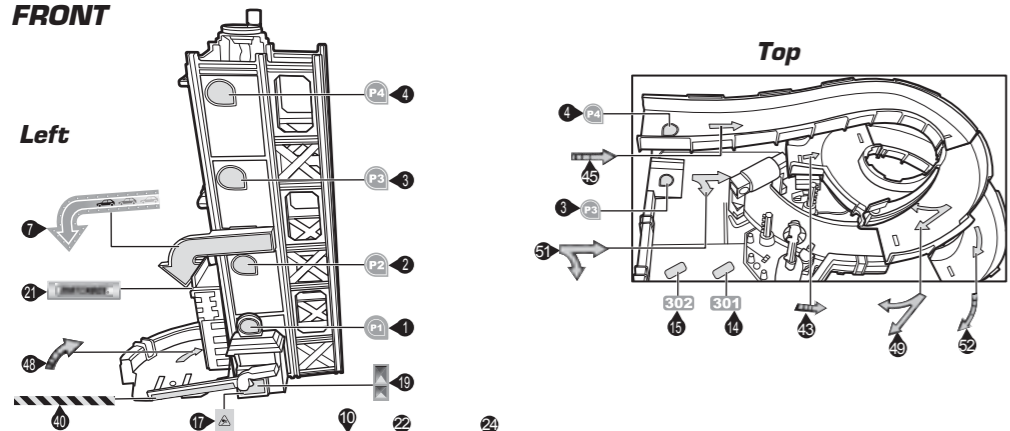
CONTENTS



©2015 Mattel. All Rights Reserved. Mattel, Inc., 636 Girard Avenue, East Aurora, NY 14052, U.S.A. Consumer Services 1-800-524-8697. Mattel U.K. Ltd., Vanwall Business Park, Maidenhead SL6 4UB. Helpline 01628 500303. Mattel Australia Pty., Ltd., Richmond, Victoria. 3121. Consumer Advisory Service - 1300 135 312. Mattel East Asia Ltd., Room 503-09, North Tower, World Finance Centre, Harbour City, Tsimshatsui, HK, China. Tel.: (852) 3185-6500. Diimport & Diedarkan Oleh: Mattel Southeast Asia Pte. Ltd., No 19-1, Tower 3 Avenue 7, Bangsar South City, No 8, Jalan Kerinchi, 59200 Kuala Lumpur, Malaysia. Tel: 03-78803817, Fax: 03-78803867.

SERVICE.MATTEL.COM

1 APPLY LABELS



2 ASSEMBLY

Refer to letter on toy parts and this page to help with assembly.

