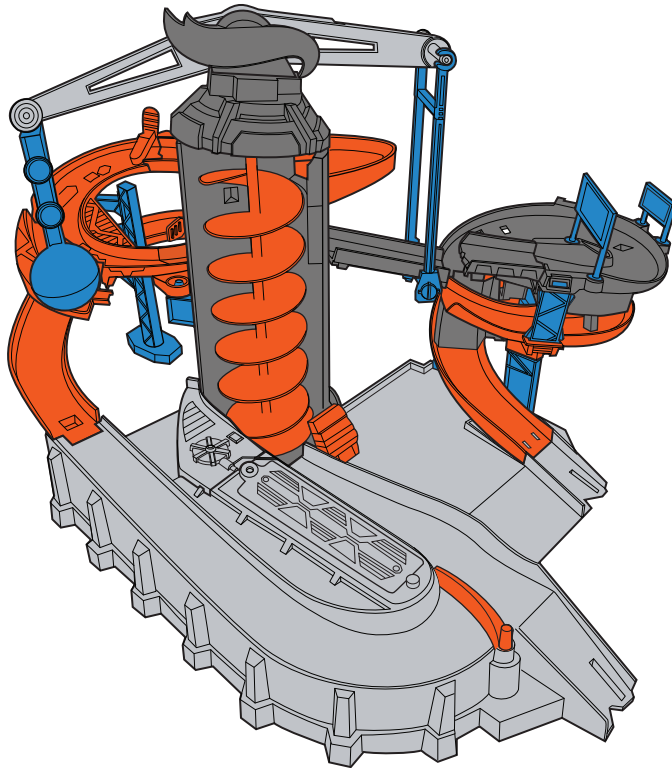


INSTRUCTIONS



CONSTRUCTION ZONE CHAOS



COLORS AND DECORATIONS MAY VARY.

5+

service.mattel.com
HOTWHEELS.COM



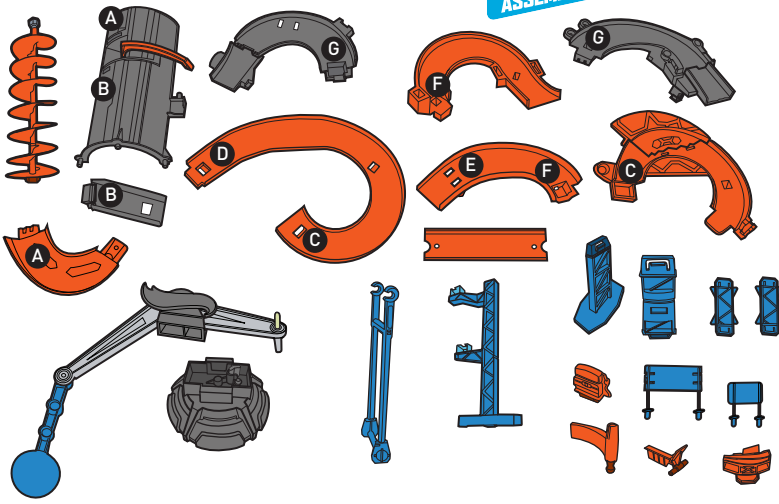
DPD88-0970-G1
1101053449-DOM

PLEASE KEEP THESE INSTRUCTIONS FOR FUTURE REFERENCE AS THEY CONTAIN IMPORTANT INFORMATION.

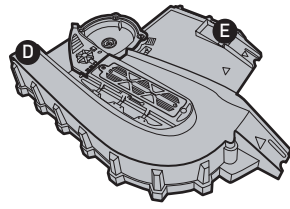
CONTENTS



Refer to letters on toy parts and this page to help with assembly.

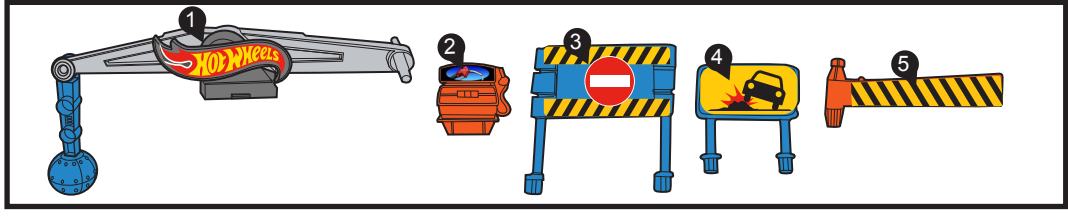


LABEL SHEET



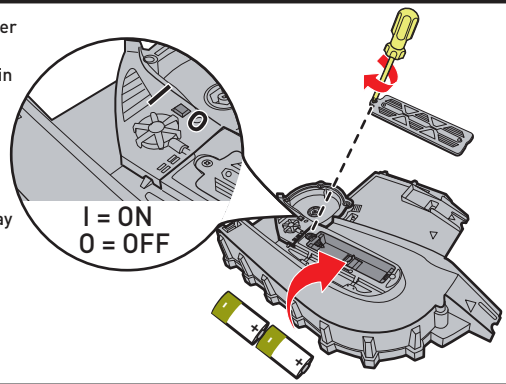
Requires 2 "D" (LR20) alkaline batteries (not included).

APPLY LABELS

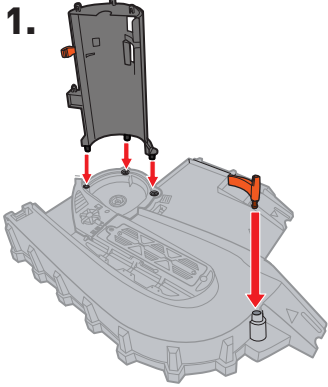


BATTERY INSTALLATION

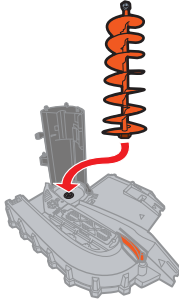
- Unscrew the battery cover with a Phillips head screwdriver (not included).
- Install 2 "D" size (LR20) alkaline batteries (not included) in the orientation (+/-) shown.
- Replace battery cover and tighten screw.
- For longer life use alkaline batteries.
- Replace batteries when the elevator can no longer transport cars to the top of the set.
- When exposed to an electrostatic source, the product may malfunction. To resume normal operation, switch the power OFF for a few seconds, and then ON again.



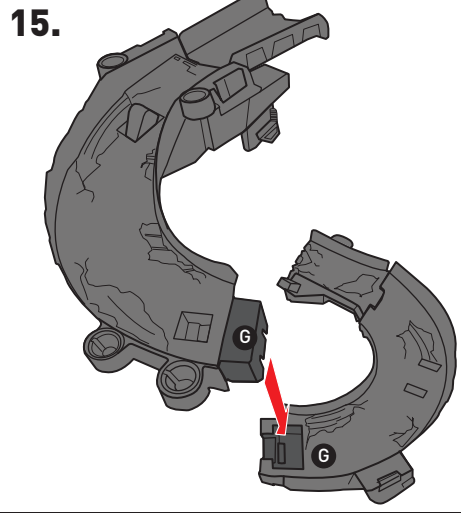
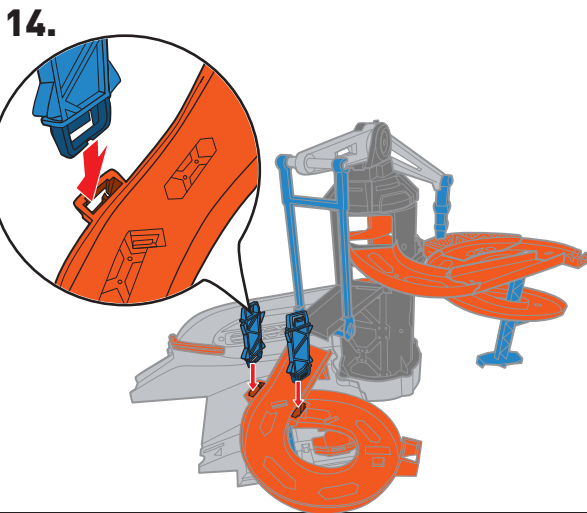
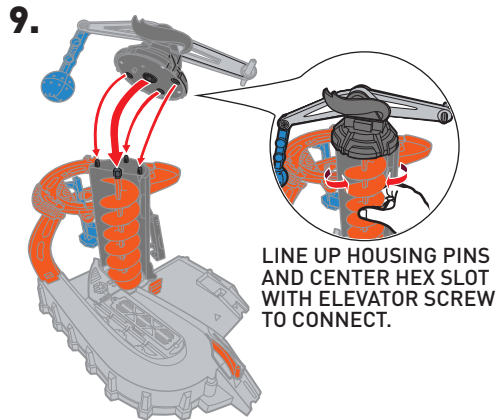
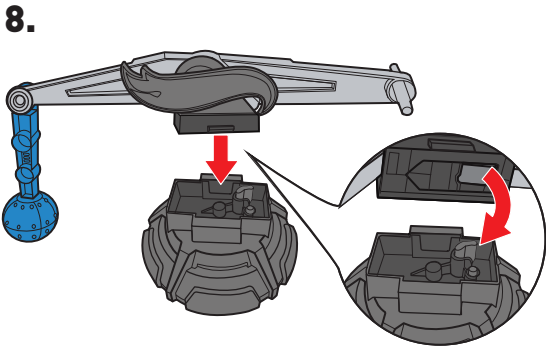
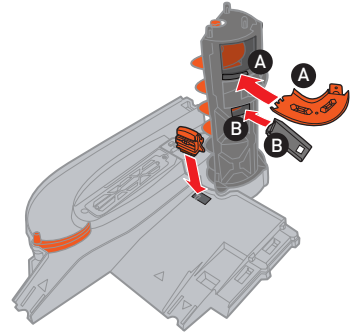
ASSEMBLY



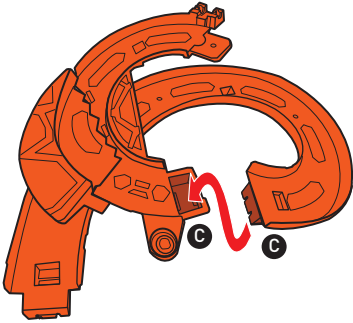
2. Attach the spiral elevator.



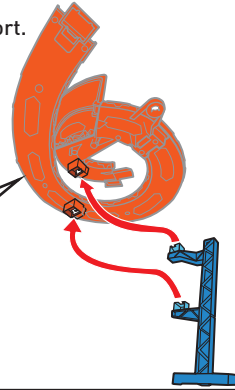
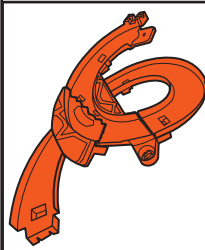
3. Attach exit ramps to the back of the elevator by letters as shown.



4. Connect the two tracks to form a spiral.



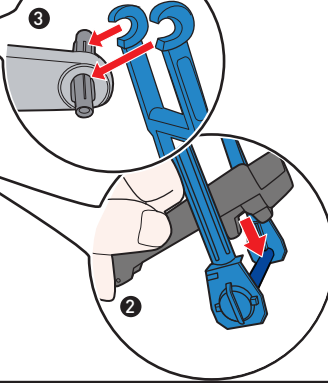
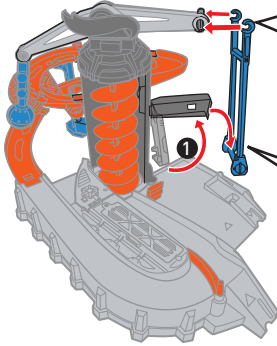
5. Attach spiral track support.



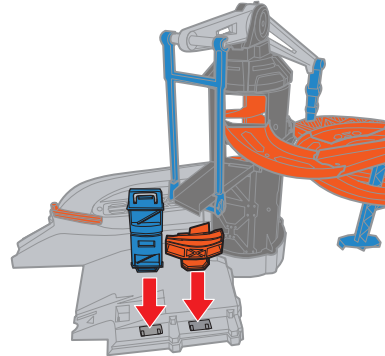
6. Attach



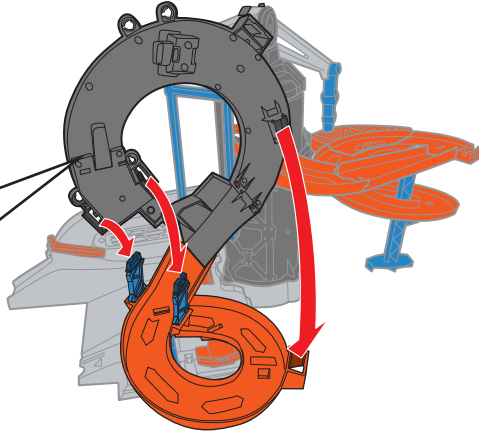
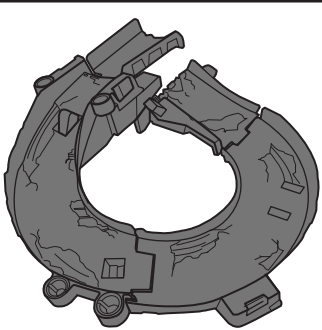
10. Connect arm and attach it to the tilting exit track.



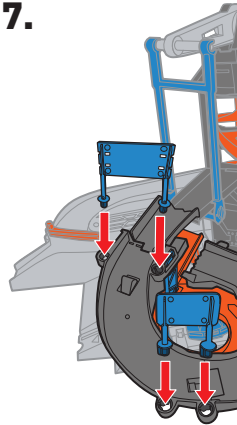
11.



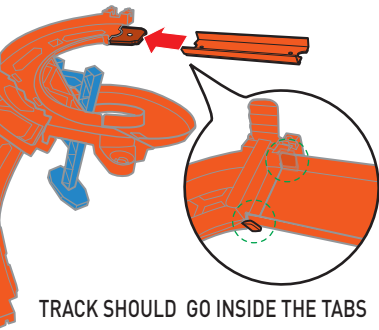
16. Attach top spiral track over the bottom one.



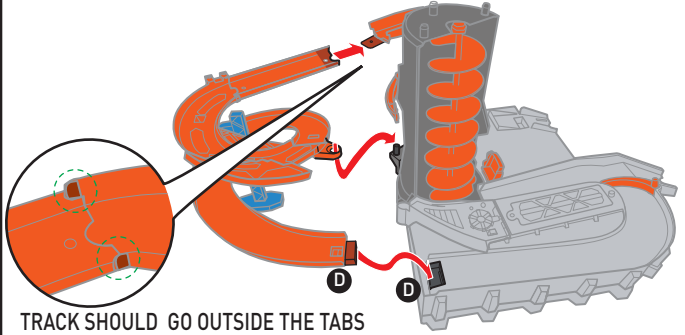
17.



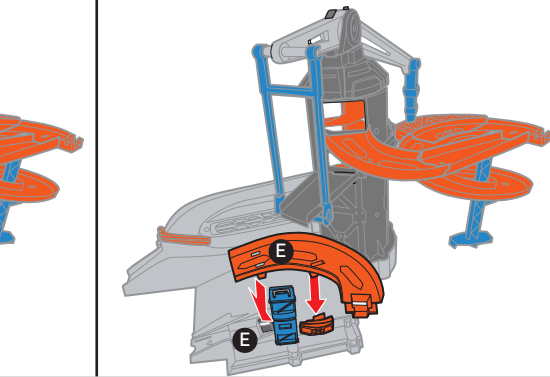
ch top exit track.



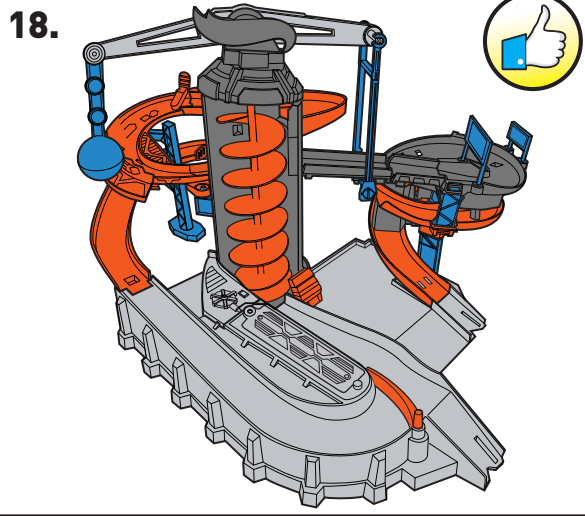
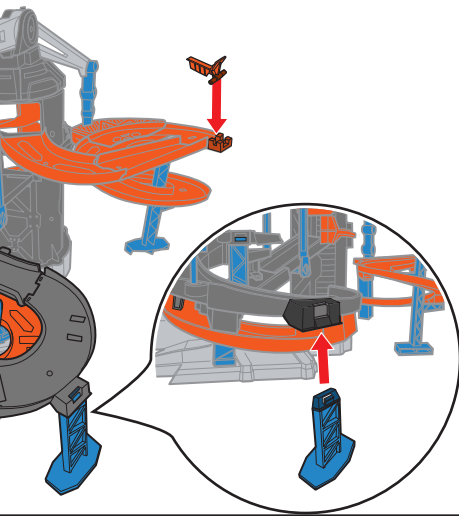
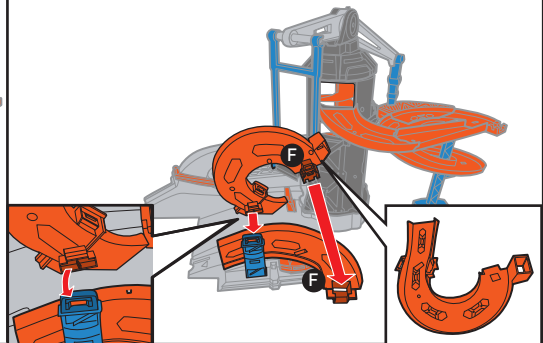
7. Connect the exit and spiral tracks to the spiral elevator.



12. Connect bottom exit track.

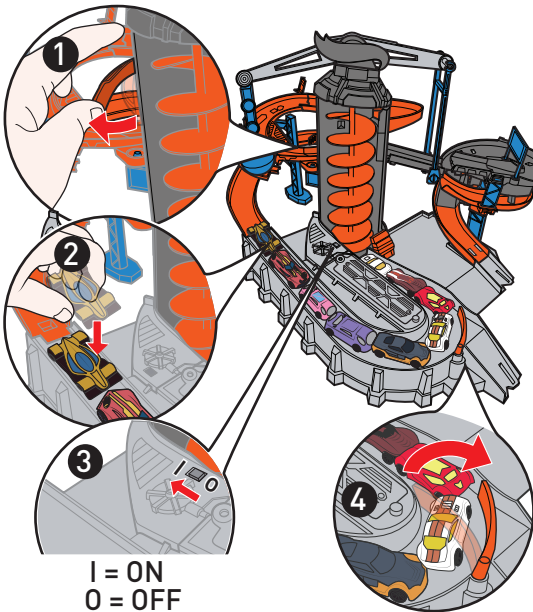


13. Attach the bottom spiral track.

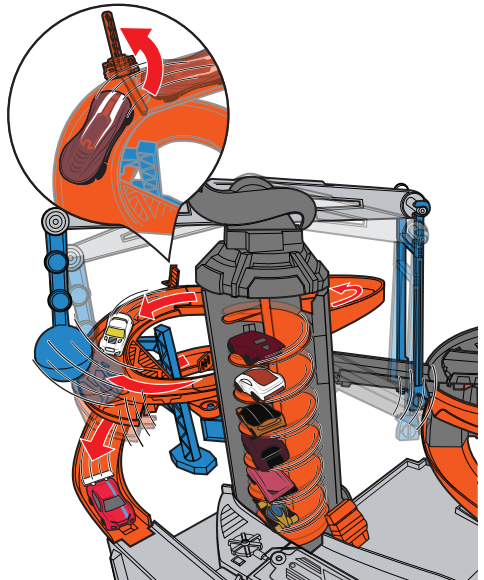


TO PLAY 1

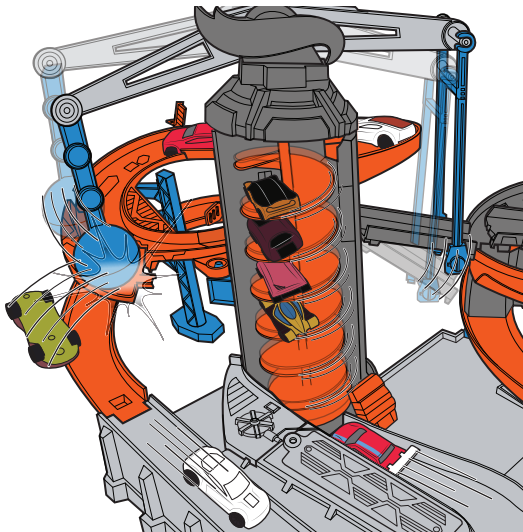
1. Select the top exit and turn power ON.



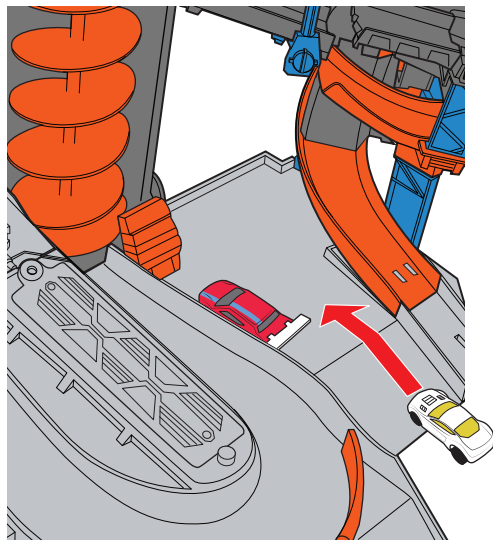
2. Open gate. Cars race down the track.



3. Avoid the wrecking ball or get knocked off!



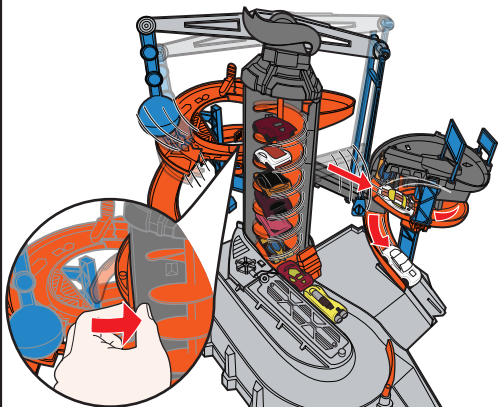
4. Parking zone.



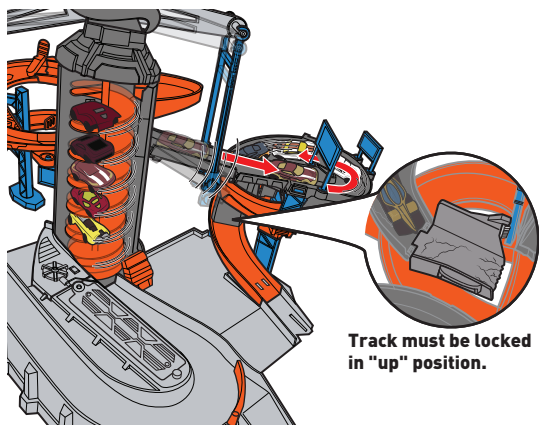
INCLUDES 1 VEHICLE. ADDITIONAL VEHICLES SOLD SEPARATELY.

TO PLAY 2

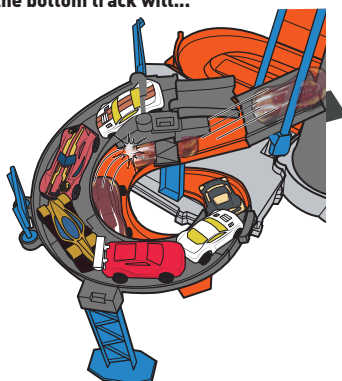
- 1a.** Select the lower exit. Cars going to the bottom track will go straight through.



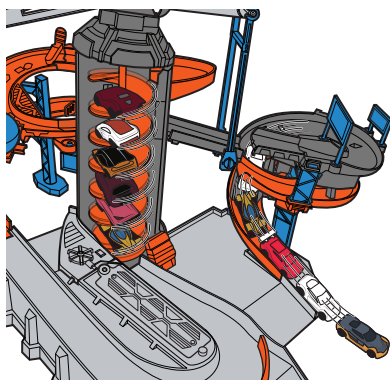
- 1b.** Cars going to the top track will pile up.



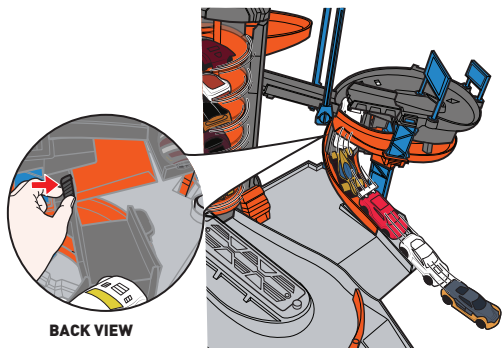
- 2a.** WHEN THE TOP TRACK IS FULL, a car going through the bottom track will...



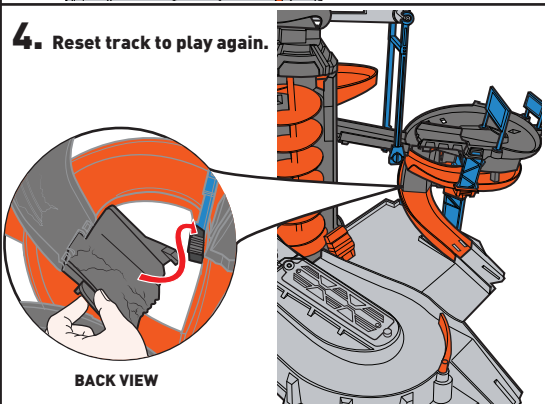
- 2b.** ...release all cars!



- 3.** You can also press the trigger to manually release the cars from the top track!

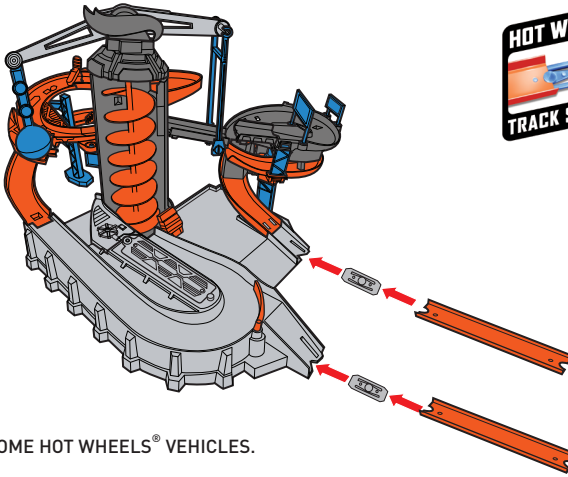


- 4.** Reset track to play again.



MORE WAYS TO PLAY

Connect to other HOT WHEELS® sets (sold separately).



NOT FOR USE WITH SOME HOT WHEELS® VEHICLES.

BATTERY SAFETY INFORMATION

In exceptional circumstances batteries may leak fluids that can cause a chemical burn injury or ruin your product. To avoid battery leakage:

- Non-rechargeable batteries are not to be recharged.
- Rechargeable batteries are to be removed from the product before being charged.
- Rechargeable batteries are only to be charged under adult supervision.
- Do not mix alkaline, standard (carbon-zinc), or rechargeable batteries.
- Do not mix old and new batteries.
- Only batteries of the same or equivalent type as recommended are to be used.
- Batteries are to be inserted with the correct polarity.
- Exhausted batteries are to be removed from the product.
- The supply terminals are not to be short-circuited.
- Dispose of battery(ies) safely.
- Do not dispose of this product in a fire. The batteries inside may explode or leak.



Protect the environment by not disposing of this product or any batteries with household waste. This symbol indicates that this product shall not be treated as household waste. Check your local authority for recycling advice and facilities.

©2016 Mattel. Mattel, Inc., 636 Girard Avenue, East Aurora, NY 14052, U.S.A. Consumer Services 1-800-524-8697. Mattel U.K. Ltd., Vanwall Business Park, Maidenhead SL6 4UB. Helpline 01628 500303. Mattel Australia Pty., Ltd., Richmond, Victoria. 3121. Consumer Advisory Service - 1300 135 312. Mattel South Africa (PTY) LTD, Office 102 I3, 30 Melrose Boulevard, Johannesburg 2196. Mattel East Asia Ltd., Room 503-09, North Tower, World Finance Centre, Harbour City, Tsimshatsui, HK, China. Tel.: (852) 3185-6500. Diimport & Diedarkan Oleh: Mattel Southeast Asia Pte. Ltd., No 19-1, Tower 3 Avenue 7, Bangsar South City, No 8, Jalan Kerinchi, 59200 Kuala Lumpur, Malaysia. Tel: 03-33419052.