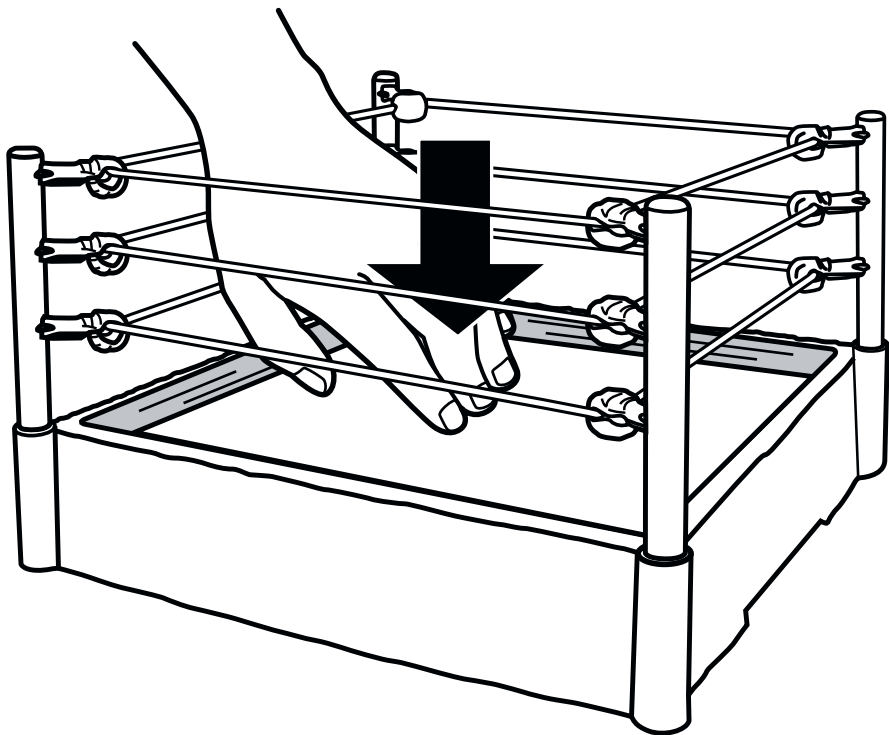


3. TO PLAY

*Set up your favorite match in this authentic ring!
Mat is spring-loaded for real ring action!*



PRO-TENSION® ROPES

Our rings have been designed with firm posts and just the right amount of rope tension, so your figures can bounce off the ropes like the WWE® Superstars!

All WWE programming, talent names, images, likenesses, slogans, wrestling moves, trademarks, logos and copyrights are the exclusive property of WWE and its subsidiaries. All other trademarks, logos and copyrights are the property of their respective owners. © 2015 WWE. All Rights Reserved.

©2015 Mattel. All Rights Reserved. ® and ™ designate U.S. trademarks of Mattel, except as noted.
Mattel, Inc. 636 Girard Avenue, East Aurora, NY 14052, U.S.A. Consumer Relations 1-800-524-8697. Mattel Canada Inc., Mississauga, Ontario L5R 3W2. You may call us free at 1-800-524-8697. Mattel U.K. Ltd., Vanwall Business Park, Maidenhead SL6 4UB. Helpline 01628 500303. Mattel Australia Pty., Ltd., Richmond, Victoria. 3121. Consumer Advisory Service - 1300 135 312 Mattel East Asia Ltd., Room 1106, South Tower, World Finance Centre, Harbour City, Tsimshatsui, HK, China. Diimport & Diedarkan Oleh: Mattel SEA Ptd Ltd.(993532-P) Lot 13.5, 13th Floor, Menara Lien Hoe, Persiaran Tropicana Golf Country Resort, 47410 PJ. Tel:03-78803817, Fax:03-78803867.

service.mattel.com

DPF24-0970
1101072839



WRESTLEMANIA® SUPERSTAR RING INSTRUCTIONS



6+

Please keep these instructions for future reference as they contain important information.

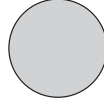
CONTENTS

LABEL SHEET

1



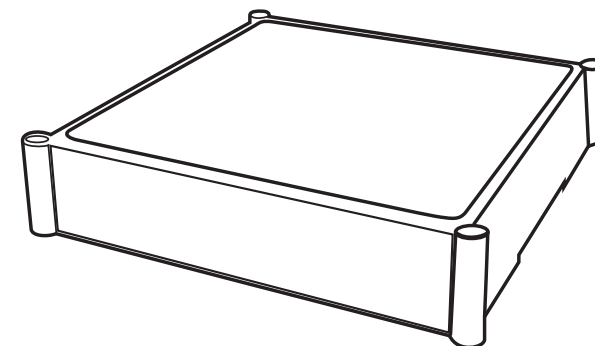
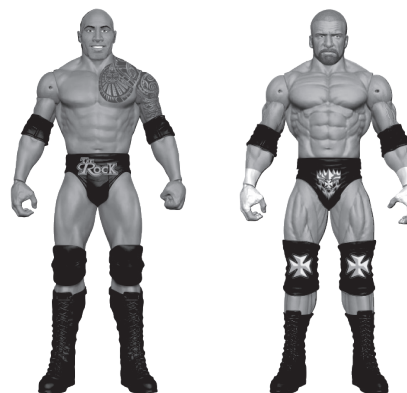
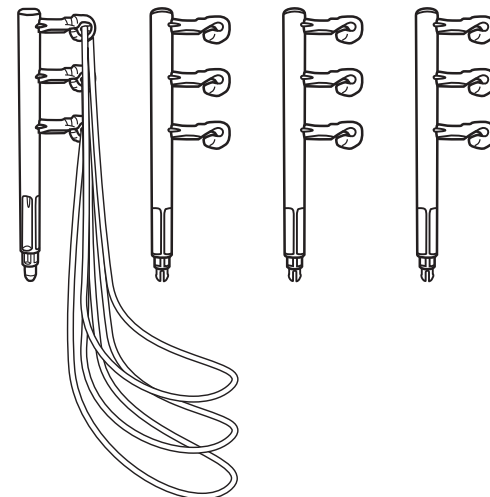
2



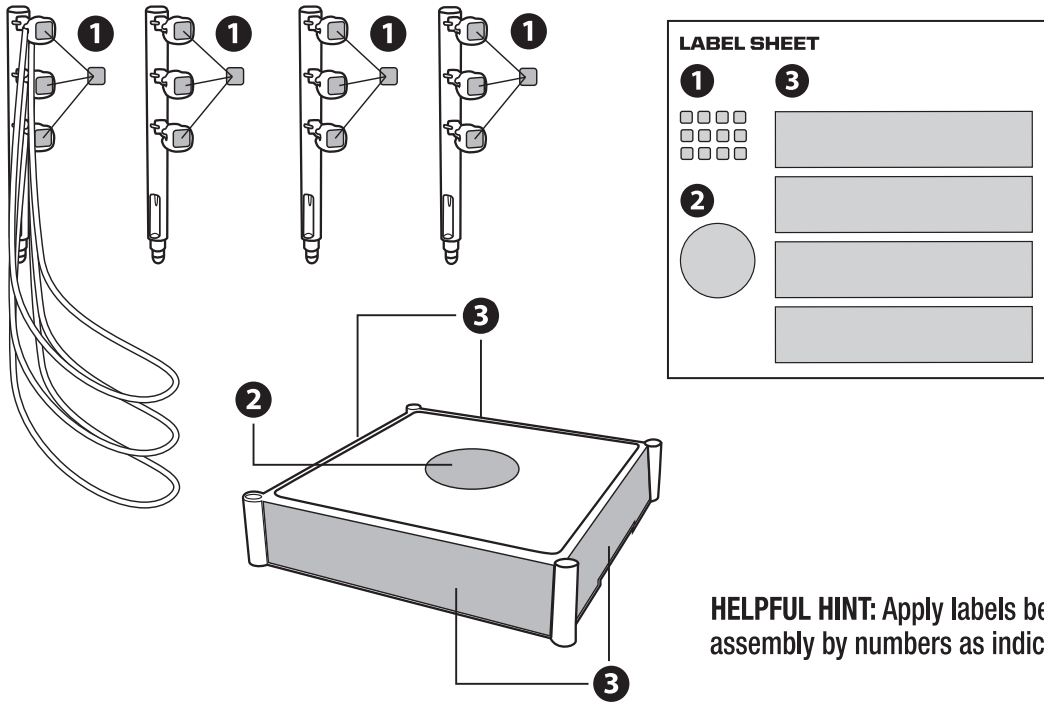
3



WARNING:
CHOKING HAZARD – Small parts.
Not for children under 3 years.

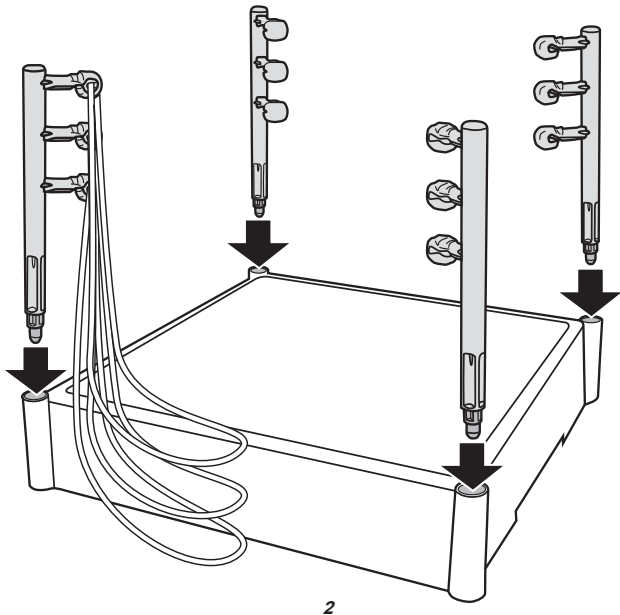


1. APPLY LABELS



2. ASSEMBLY

1.



2. To attach the ropes, start from the bottom up.

