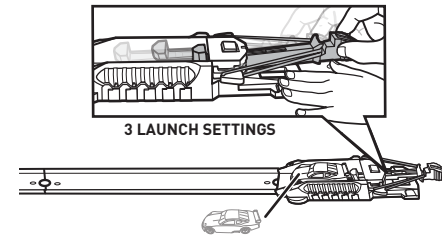
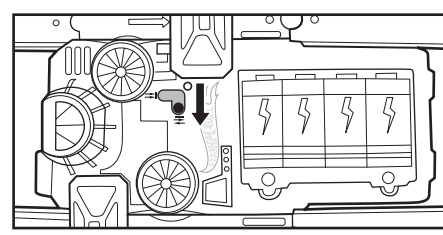


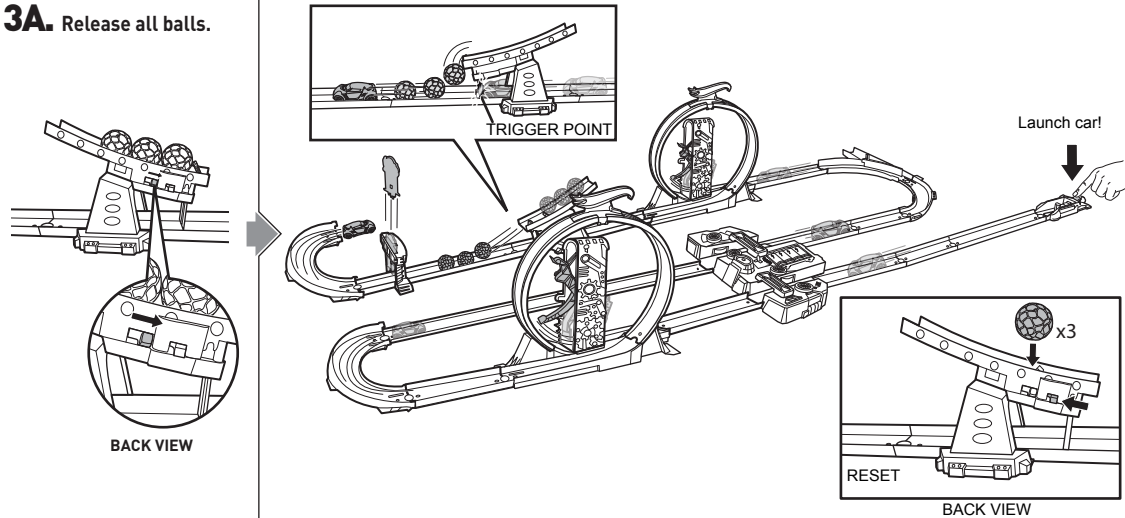
1. Try different launch settings for best performance.



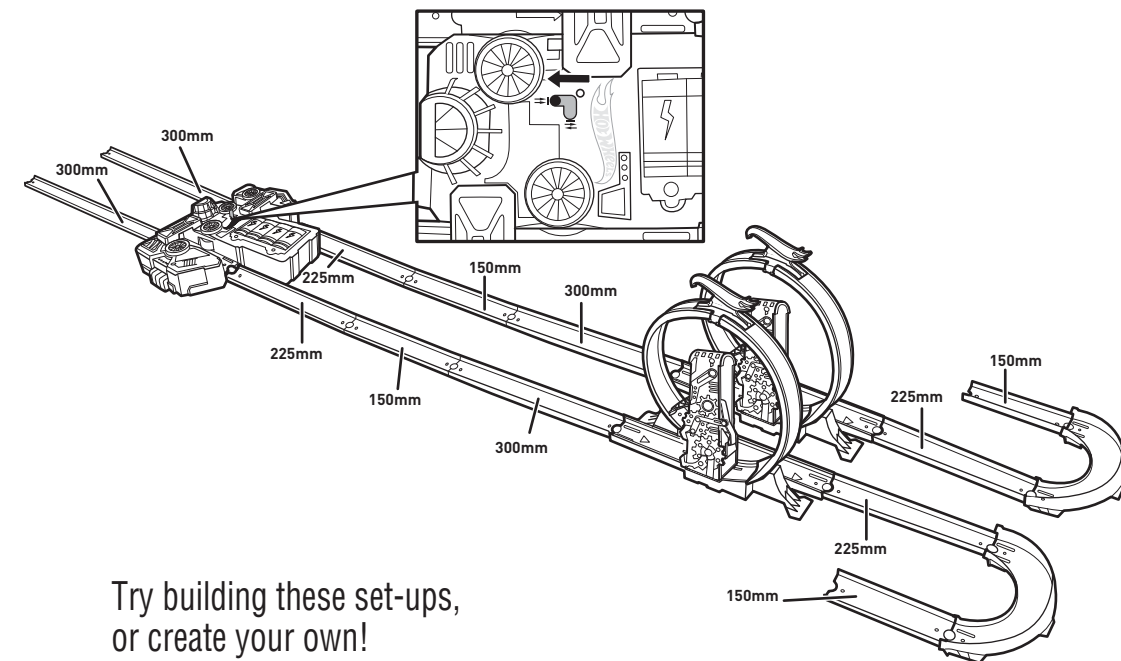
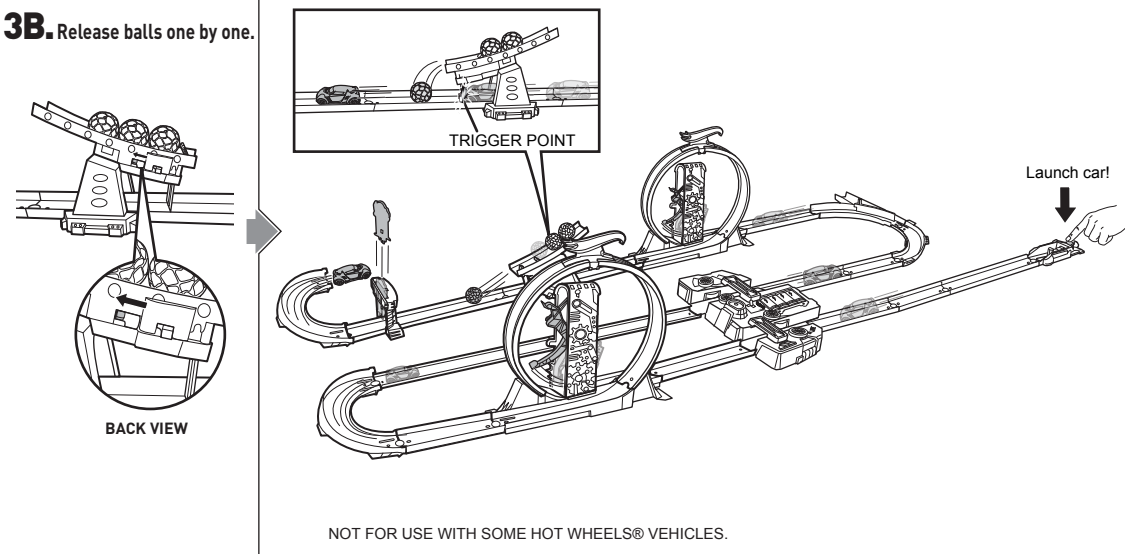
2. Switch boosters ON (≡).



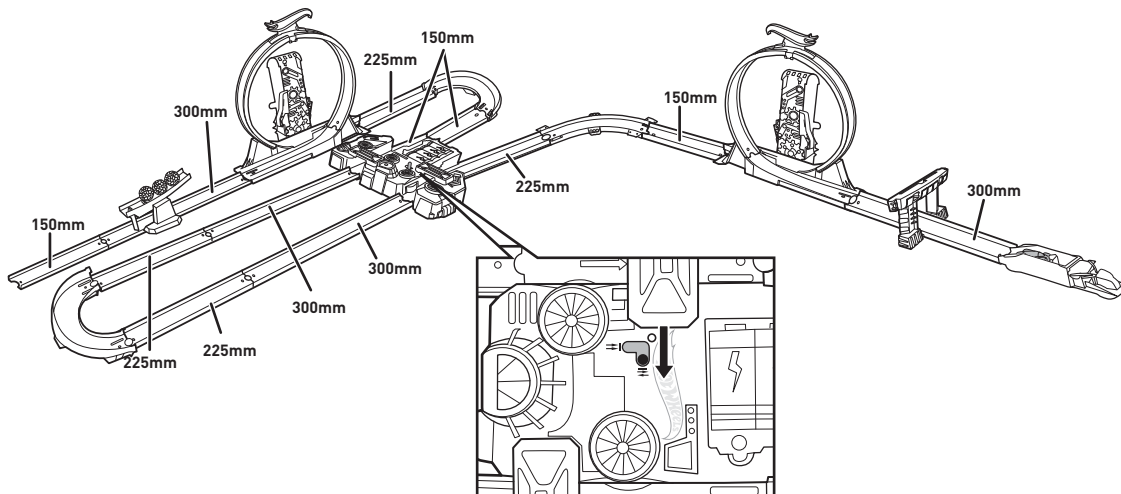
3A. Release all balls.



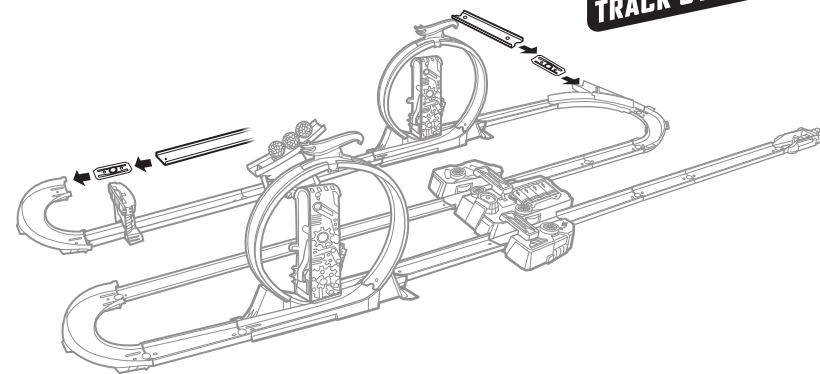
3B. Release balls one by one.



Try building these set-ups, or create your own!



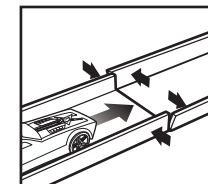
Connect to other Hot Wheels® sets (sold separately).



PERFORMANCE TIPS

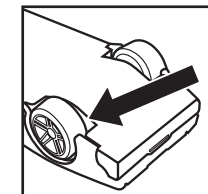
Q. My cars keep crashing on the tracks for no reason. What is the problem?

A. Clear all obstructions on the tracks. Adjust track side walls at each connection point.



Q. My car keeps slowing down by itself on the tracks.

A. Lint may collect around your car's axles. This may cause the car to run slowly. Use tweezers or a toothpick to remove lint.



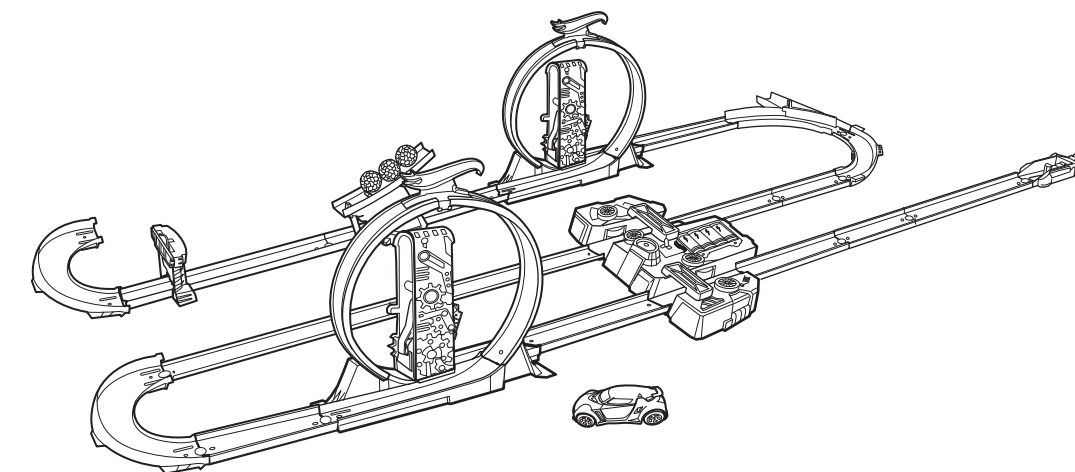
ADD ON TO YOUR RACE WITH ADDITIONAL TRACK BUILDER STUNTS & ACCESSORIES! TO LEARN MORE ABOUT TRACK BUILDER GO TO:

HOTWHEELS.COM/TRACKBUILDER

©2014 Mattel. All Rights Reserved. Mattel, Inc., 636 Girard Avenue, East Aurora, NY 14052, U.S.A. Consumer Relations 1-800-524-8697. Mattel U.K. Ltd., Vanwall Business Park, Maidenhead SL6 4UB. Helpline 01628 500303. Mattel Australia Pty., Ltd., Richmond, Victoria. 3121. Consumer Advisory Service - 1300 135 312. Mattel East Asia Ltd., Room 503-09, North Tower, World Finance Centre, Harbour City, Tsimshatsui, HK, China. Diimport & Diedarkan Oleh: Mattel SEA Ptd Ltd (993532-P) Lot 13.5, 13th Floor, Menara Lien Hoe, Persiaran Tropicana Golf Country Resort, 47410 PJ, Malaysia. Tel:03-78803817, Fax:03-78803867.



TRACK BUILDER
TOTAL TURBO TAKEOVER™ Track Set



4+

service.mattel.com
HOTWHEELS.COM

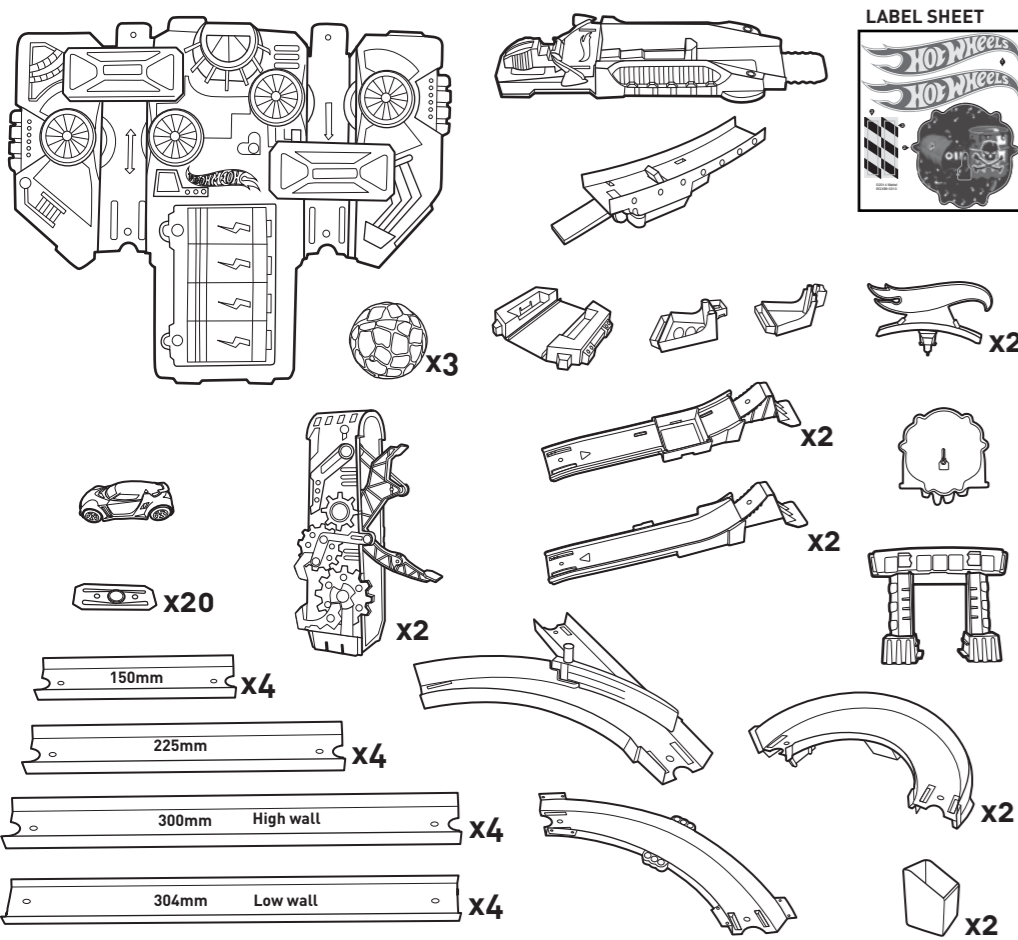


BGX89-0920G1

Requires 4 - C size (LR14) Alkaline batteries, not included. Dispose of battery(ies) safely.

PLEASE KEEP THESE INSTRUCTIONS FOR FUTURE REFERENCE AS THEY CONTAIN IMPORTANT INFORMATION.

CONTENTS

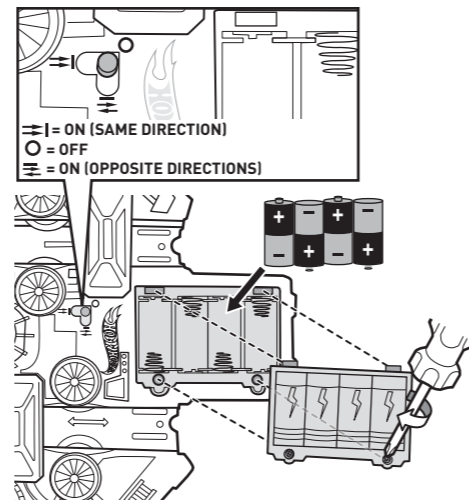


APPLY LABELS

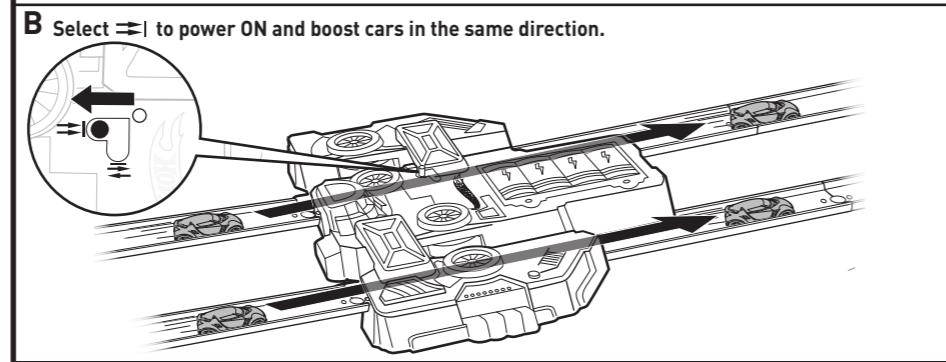
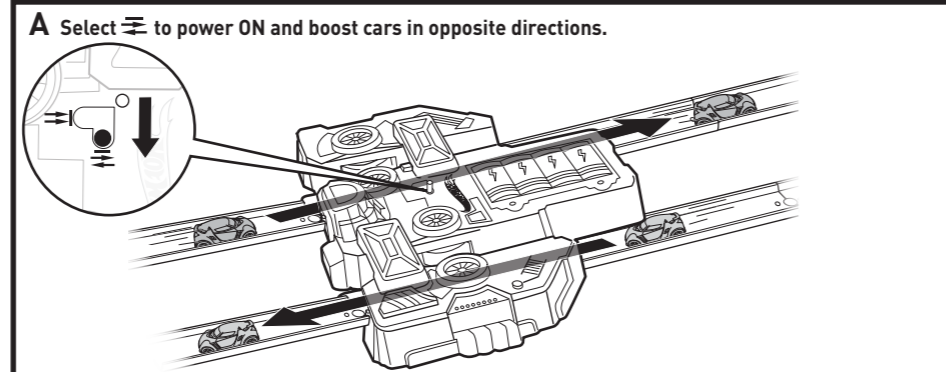


BATTERY INSTALLATION

- Unscrew the battery cover with a Phillips head screwdriver (not included).
- Install 4 new "C" size (LR14) alkaline batteries (not included) in the orientation (+/-) shown.
- Replace battery cover and tighten screws.
- For longer life use alkaline batteries.
- Replace batteries when boosters can no longer propel cars through the track set.



BOOSTER FEATURES



ASSEMBLY

