



- Keep this instruction sheet for future reference, as it contains important information.
- Adult assembly is required. No tools required for assembly.
- Requires two AA (LR6) **alkaline** batteries (not included).
- Tool required for battery instillation: Phillips screwdriver (not included).



WARNING

To prevent entanglement injury, never place gym in a crib or playpen. Never add strings, ties or other products to the gym.

Consumer Information



CONSUMER ASSISTANCE

1-800-432-5437 (US & Canada)
1300 135 312 (Australia)

service.fisher-price.com

Fisher-Price, Inc., 636 Girard Avenue, East Aurora, NY 14052.
Hearing-impaired consumers: 1-800-382-7470.

Outside the United States:

Canada: Mattel Canada Inc., 6155 Fremont Blvd.,
Mississauga, Ontario L5R 3W2; www.service.mattel.com.

Great Britain: Mattel UK Ltd, Vanwall Business Park,
Maidenhead SL6 4UB. Helpline: 01628 500303.
www.service.mattel.com/uk

Mattel Europa B.V., Gondel 1, 1186 MJ Amstelveen, Nederland.

Australia: Mattel Australia Pty. Ltd., 658 Church Street,
Locked Bag #870, Richmond, Victoria 3121 Australia.

New Zealand: 16-18 William Pickering Drive,
Albany 1331, Auckland.

CAN ICES-3 (B)/NMB-3 (B)

Operation is subject to the following two conditions: (1) this device may not cause interference, and (2) this device must accept any interference, including interference that may cause undesired operation of the device.

L'utilisation de ce dispositif est autorisée seulement aux conditions suivantes : (1) il ne doit pas produire de brouillage et (2) il doit pouvoir tolérer tout brouillage radioélectrique reçu, même si ce brouillage est susceptible de compromettre son fonctionnement.

FCC STATEMENT (UNITED STATES ONLY)

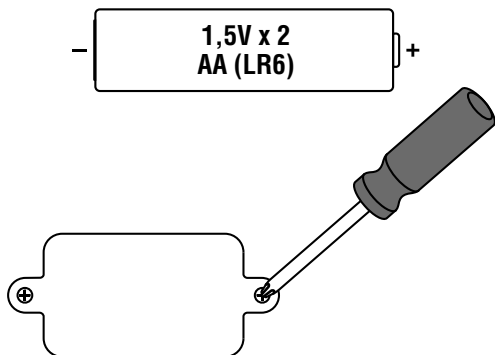
This equipment has been tested and found to comply with the limits for a Class B digital device, pursuant to Part 15 of the FCC rules. These limits are designed to provide reasonable protection against harmful interference in a residential installation. This equipment generates uses and can radiate radio frequency energy and, if not installed and used in accordance with the instructions, may cause harmful interference to radio communications. However, there is no guarantee that interference will not occur in a particular installation. If this equipment does cause harmful interference to radio or television reception, which can be determined by turning the equipment off and on, the user is encouraged to try to correct the interference by one or more of the following measures:

- Reorient or relocate the receiving antenna.
- Increase the separation between the equipment and receiver.
- Consult the dealer or an experienced radio/TV technician for help.

NOTE: Changes or modifications not expressly approved by the manufacturer responsible for compliance could void the user's authority to operate the equipment.

This device complies with Part 15 of the FCC Rules. Operation is subject to the following two conditions: (1) This device may not cause harmful interference, and (2) this device must accept any interference received, including interference that may cause undesired operation.

Battery Installation



- Locate the battery door on the musical blowfish.
- Loosen the screws in the battery compartment door with a Phillips screwdriver and remove the door.
- Insert two AA (LR6) **alkaline** batteries.
- Replace the battery compartment door and tighten the screws. Do not over-tighten.
- If this toy begins to operate erratically, you may need to reset the electronics. Slide the power/volume switch off and back on.
- When sounds/lights become faint or stop, it's time for an adult to change the batteries.



- Protect the environment by not disposing of this product with household waste (2012/19/EU). Check your local authority for recycling advice and facilities.

Battery Safety Information

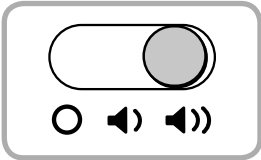
In exceptional circumstances, batteries may leak fluids that can cause a chemical burn injury or ruin your product. To avoid battery leakage:

- Do not mix old and new batteries or batteries of different types: alkaline, standard (carbon-zinc) or rechargeable (nickel-cadmium).
- Insert batteries as indicated inside the battery compartment.
- Remove batteries during long periods of non-use. Always remove exhausted batteries from the product. Dispose of batteries safely. Do not dispose of this product in a fire. The batteries inside may explode or leak.
- Never short-circuit the battery terminals.
- Use only batteries of the same or equivalent type, as recommended.
- Do not charge non-rechargeable batteries.
- Remove rechargeable batteries from the product before charging.
- If removable, rechargeable batteries are used, they are only to be charged under adult supervision.

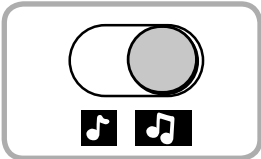
Care

- Machine wash the mat in cold water on the gentle cycle. Do not use bleach. Tumble dry on low heat.
- Surface wash the tubes, toys and bases with a mild cleaning solution and damp cloth. Do not use bleach. Rinse clean to remove residue.
- Do not immerse the musical blowfish.

Light-up Musical Blowfish!

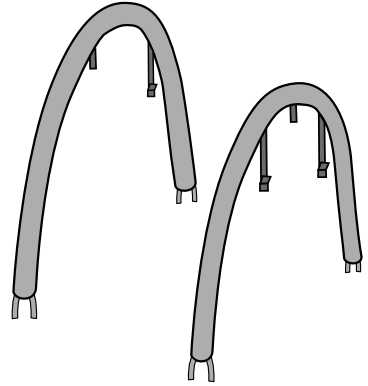


- Slide the power/volume switch on the musical blowfish to ON with low volume (speaker with one arrow), ON with high volume (speaker with two arrows) or OFF (small circle).

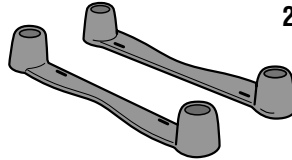


- Slide the mode switch to short play (musical note with a square) for short tunes and light up fun. Baby starts the fun when baby bats at the musical blowfish or the gym (with the musical blowfish attached).
- Slide the mode switch to long play (musical note with a square) for music and a light show.

Parts



2 Tubes



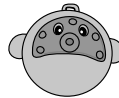
2 Bases



Crab Clacker Toy



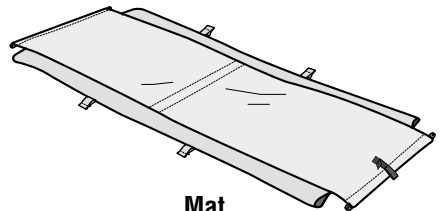
Seahorse Mirror



Musical Blowfish

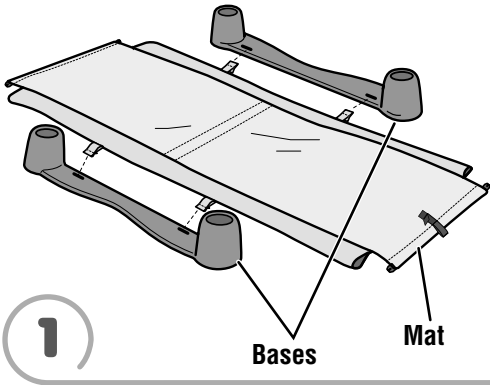


Turtle Rattle Toy

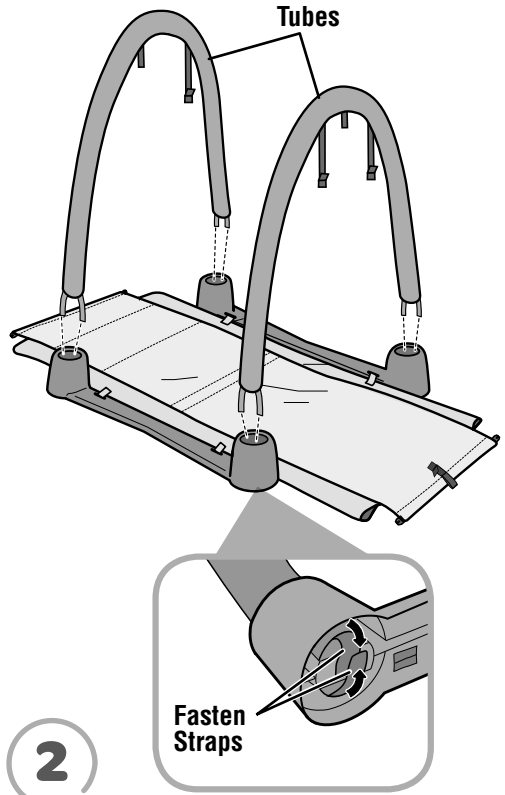


Mat

Play Gym & Tummy Time Play

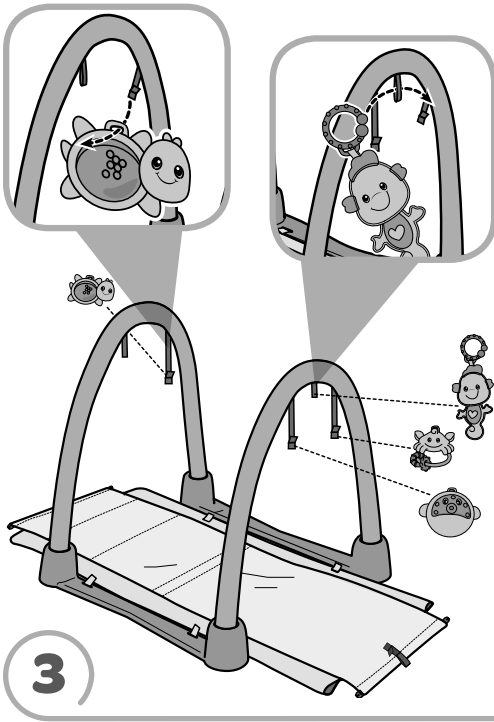


- Place the mat, print side up, on a flat surface.
- Fit the “T” end of each mat strap into the slots in the bases. Pull up on the mat to be sure it is secure.

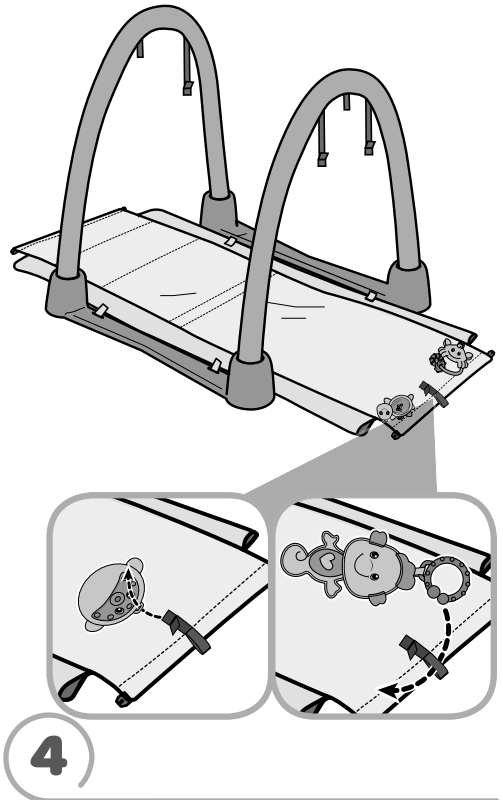


- Fit the straps on the ends of the tubes through the slots in the base sockets.
- Turn the bases over and fasten the straps.

Play Gym & Tummy Time Play

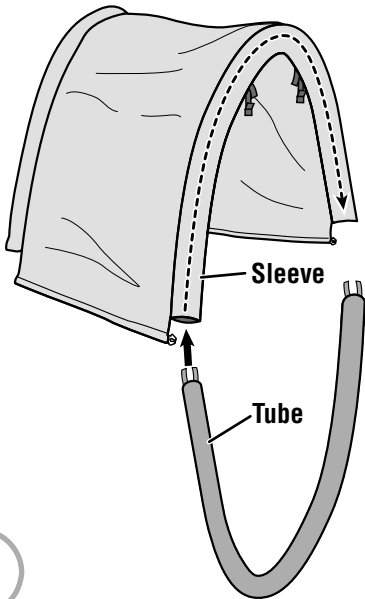


- Fit the “T” end of the straps on the arches through the slot in the toys.
- Hang the link toy from a loop on an arch.

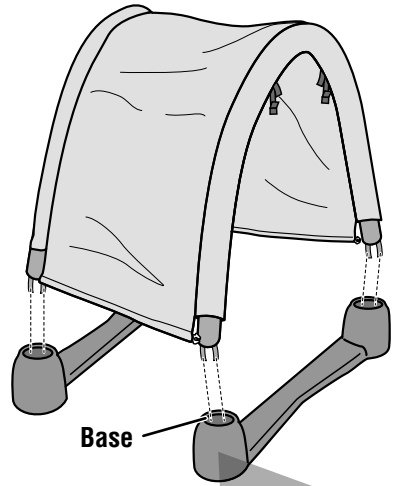


- For tummy time play, place the toys on the mat. You can attach one of the toys to the strap/loop on the mat.
- Fit the “T” end of the strap through the slot in a toy. Or, hook the link toy to the loop.

Crawl-Through Fun

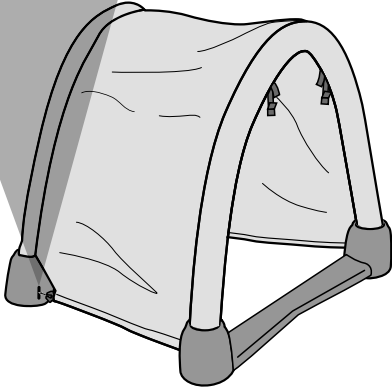


- Slide each tube through the sleeve in each side of the mat.



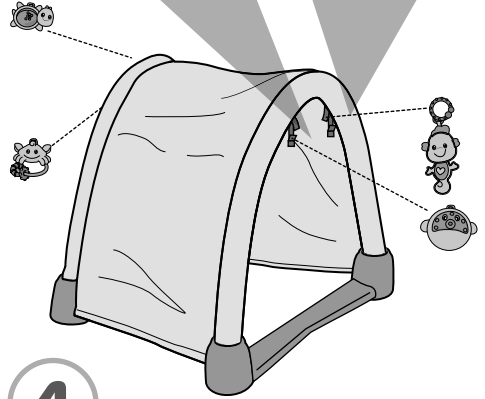
- Fit the straps on the ends of the tubes into the slots in the base sockets.
- Turn the bases over and fasten the straps.

Crawl-Through Fun



3

- Fit all four plastic tabs on the mat into the slots in the bases.



4

- Fit the "T" end of the straps on the arches through the slot in the toys.
- Hang the link toy from a loop on an arch.