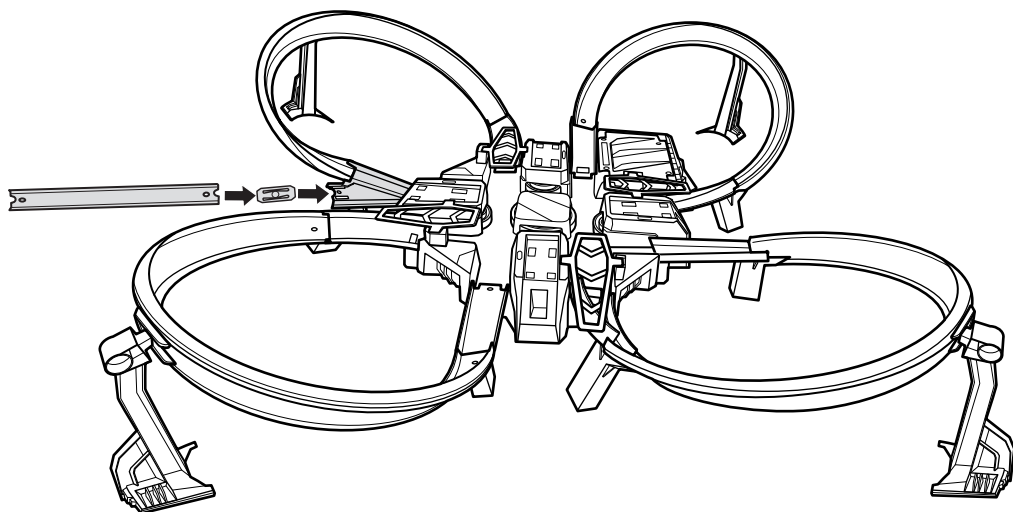
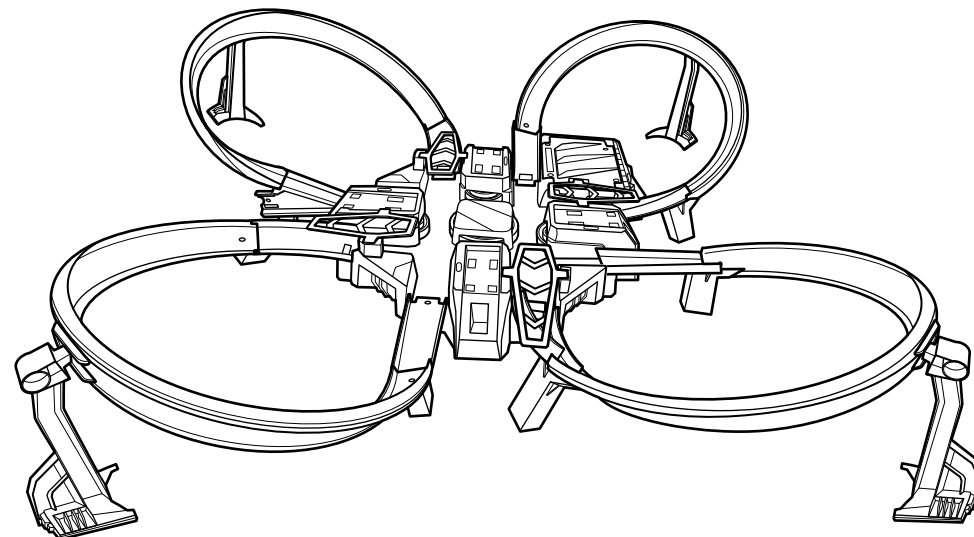


CONNECT TO OTHER HOT WHEELS® SETS (SOLD SEPARATELY).



CRISS CROSS CRASH™



5+

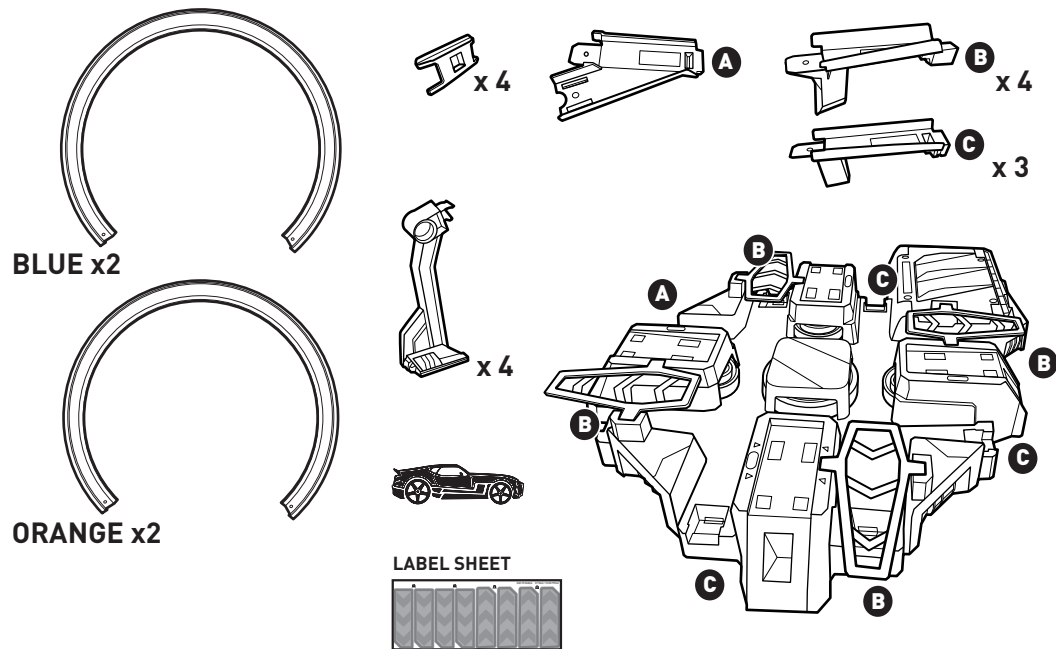
service.mattel.com
HOTWHEELS.COM



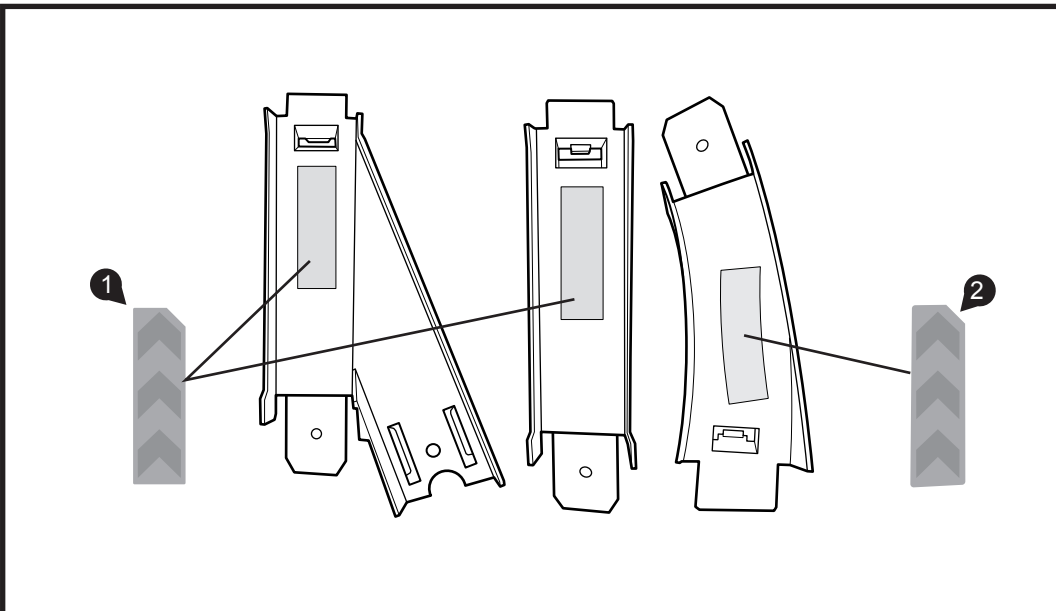
DTN42-0970
1101048514-DOM

PLEASE KEEP THESE INSTRUCTIONS FOR FUTURE REFERENCE AS THEY CONTAIN IMPORTANT INFORMATION.

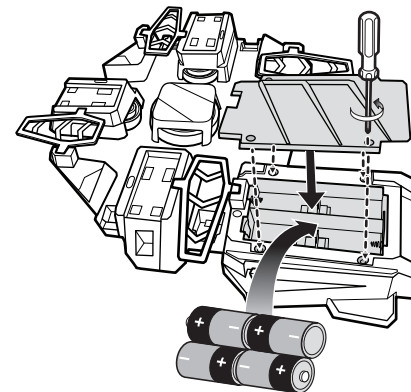
CONTENTS



APPLY LABELS



BATTERY INSTALLATION



- Unscrew the battery cover with a Phillips head screwdriver (not included).
- Install 4 "D" size (LR20) alkaline batteries (not included) in the orientation (+/-) shown.
- Replace battery cover and tighten screws.
- For longer life use alkaline batteries.
- Replace batteries when booster can no longer propel car through the track set.
- When exposed to an electrostatic source, the product may malfunction. To resume normal operation, switch the power OFF for a few seconds, and then ON again.

BATTERY SAFETY INFORMATION

In exceptional circumstances batteries may leak fluids that can cause a chemical burn injury or ruin your product. To avoid battery leakage:

- Non-rechargeable batteries are not to be recharged.
- Rechargeable batteries are to be removed from the product before being charged.
- Rechargeable batteries are only to be charged under adult supervision.
- Do not mix alkaline, standard (carbon-zinc), or rechargeable (nickel-cadmium) batteries.
- Do not mix old and new batteries.
- Only batteries of the same or equivalent type as recommended are to be used.
- Batteries are to be inserted with the correct polarity.
- Exhausted batteries are to be removed from the product.
- The supply terminals are not to be short-circuited.
- Dispose of battery(ies) safely.
- Do not dispose of this product in a fire. The batteries inside may explode or leak.



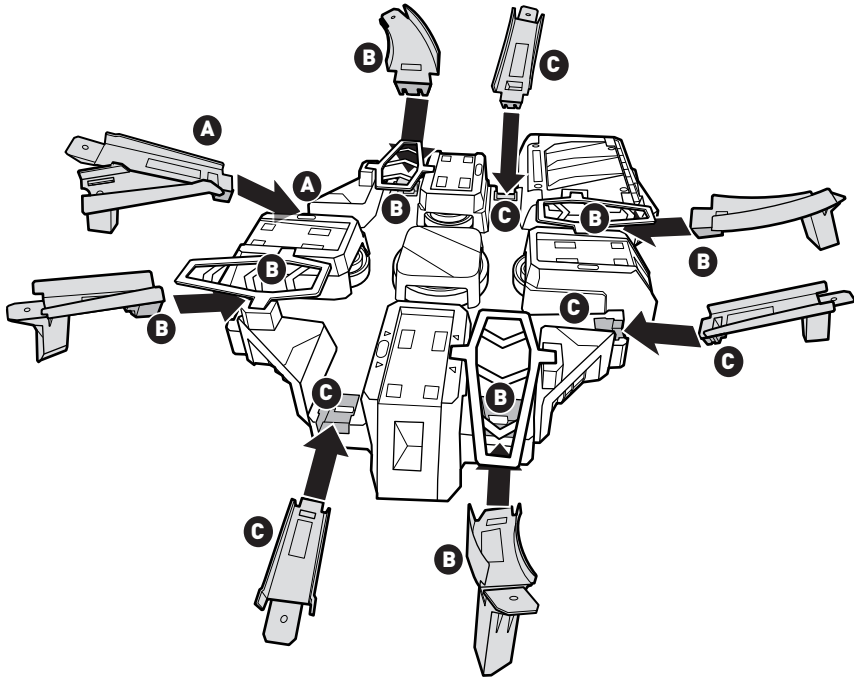
Protect the environment by not disposing of this product with household waste [2012/19/EU].
Check your local authority for recycling advice and facilities.

ASSEMBLY

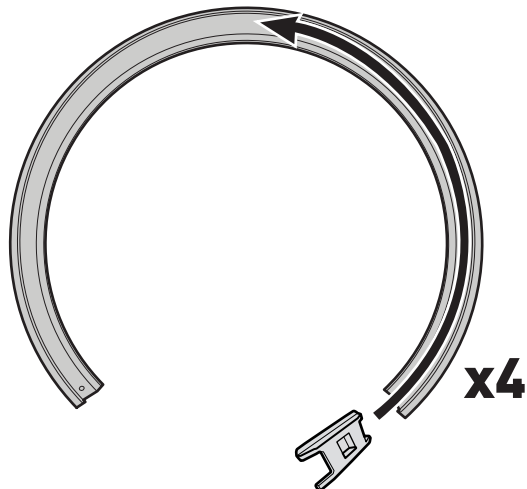


Refer to letter on toy parts and contents page to help with assembly.

1. ATTACH EACH PART AT CONNECTOR LOCATIONS AS SHOWN.

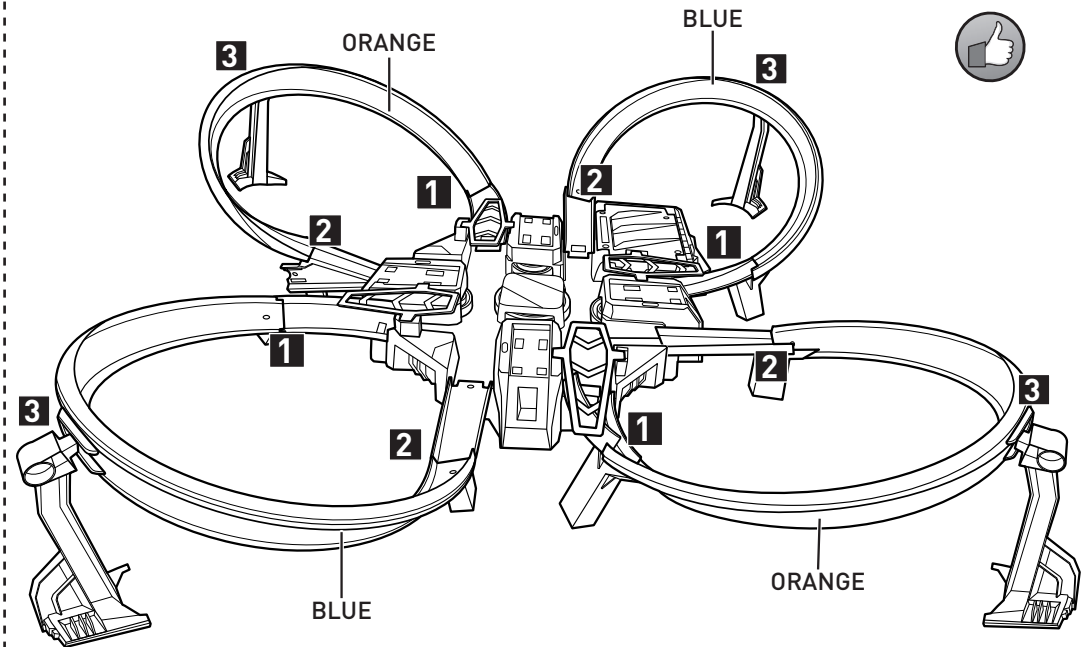
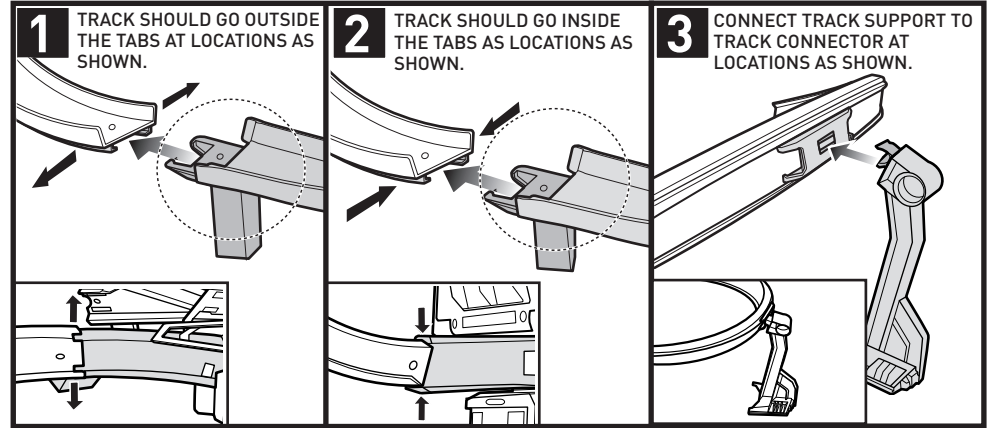


2. SLIDE TRACK CONNECTOR TO THE CENTER.

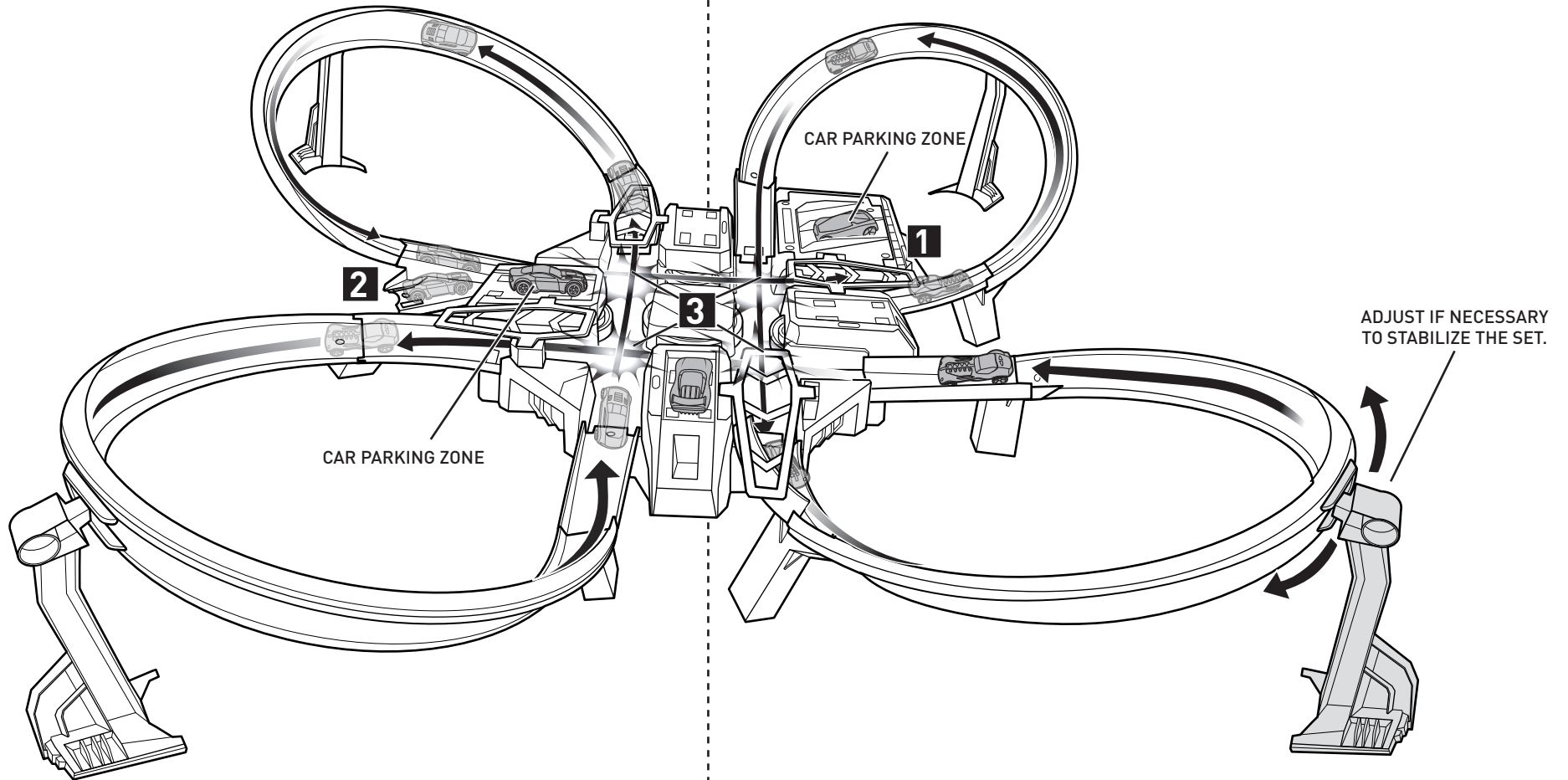
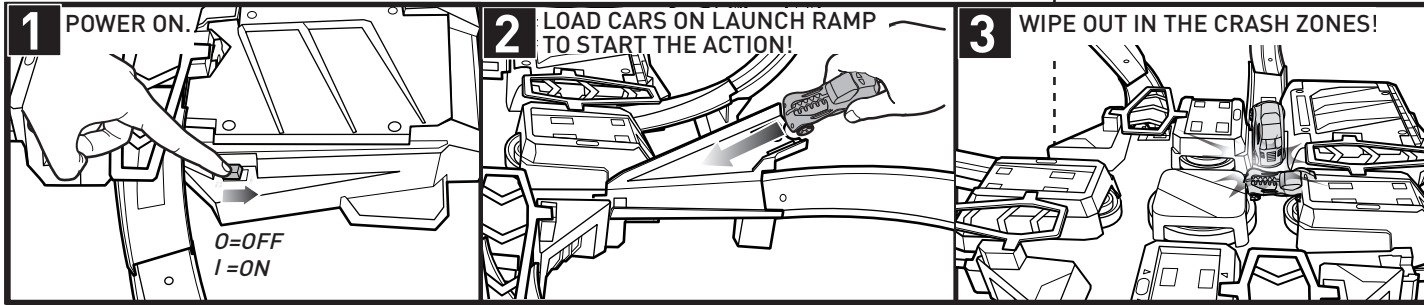


3.

NUMBER CORRESPONDS WITH NUMBERS IN ILLUSTRATION BELOW.



TO PLAY



NOT FOR USE WITH SOME HOT WHEELS® VEHICLES.
INCLUDES 1 VEHICLE. ADDITIONAL VEHICLES SOLD SEPARATELY.