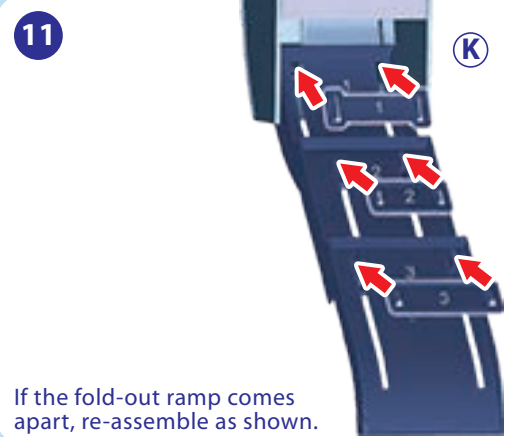


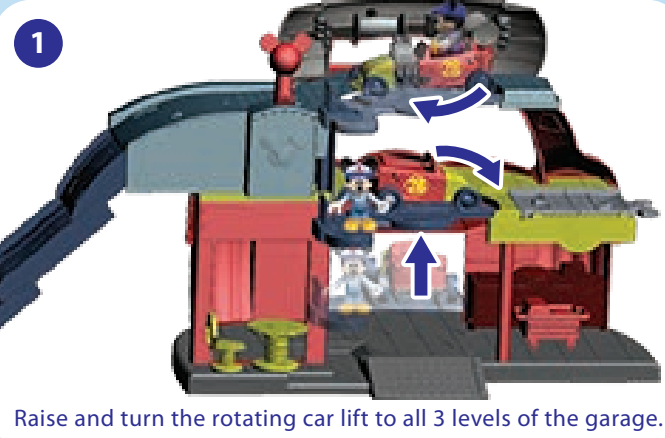
ASSEMBLY



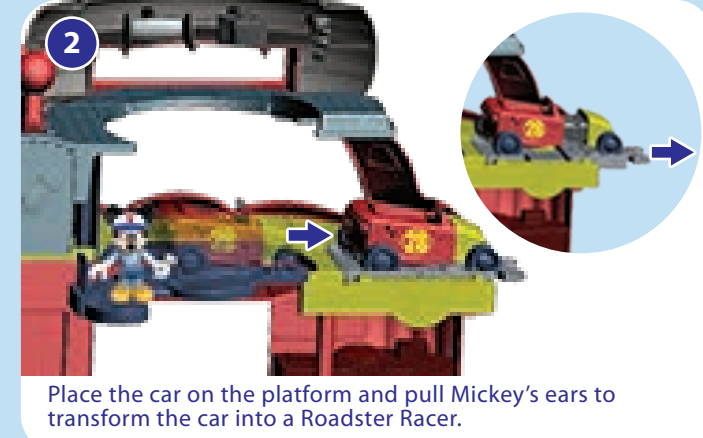
If the fold-out ramp comes apart, re-assemble as shown.



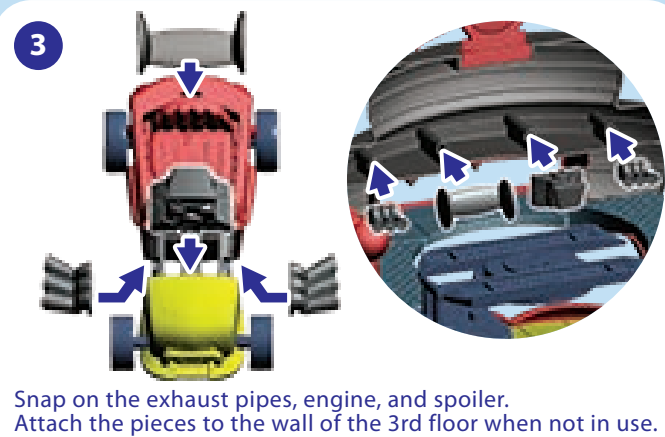
HOW TO PLAY



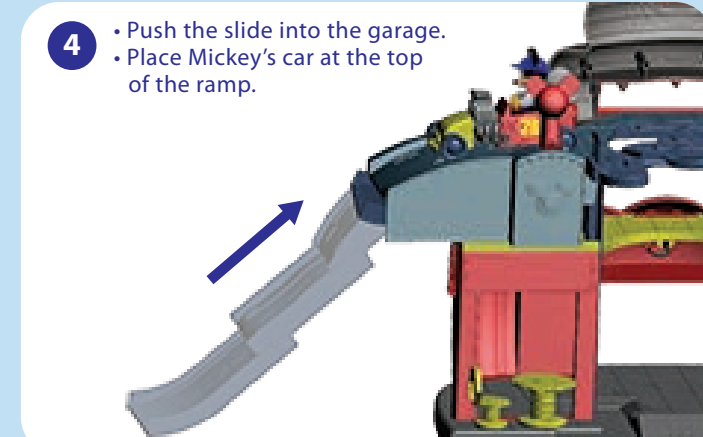
Raise and turn the rotating car lift to all 3 levels of the garage.



Place the car on the platform and pull Mickey's ears to transform the car into a Roadster Racer.



Snap on the exhaust pipes, engine, and spoiler. Attach the pieces to the wall of the 3rd floor when not in use.



• Push the slide into the garage.  
• Place Mickey's car at the top of the ramp.



Pull the lever to release the hidden slide and send his car racing down!

**CONSUMER ASSISTANCE**  
1-800-432-6437 (US & Canada)  
1300 135 312 (Australia)  
[service.fisher-price.com](http://service.fisher-price.com)

**WARNING: CHOKING HAZARD - Small parts. Not for children under 3 years.**

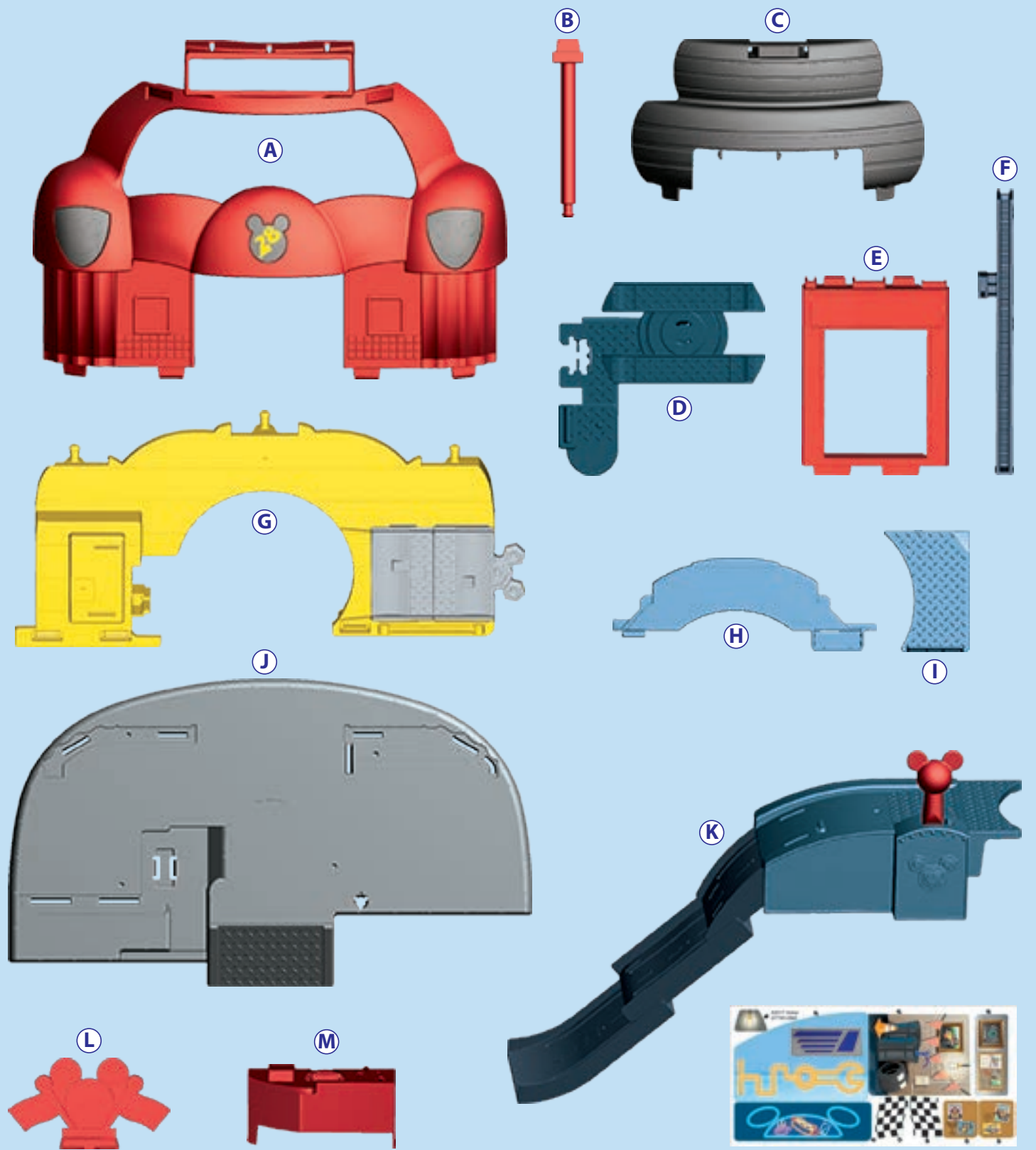
© Disney  
Visit [DisneyJunior.com](http://DisneyJunior.com)  
©2017 Mattel. All Rights Reserved.  
\* and ™ designate U.S. trademarks of Mattel, except as noted.  
**PRINTED IN CHINA.**  
Mattel East Asia Ltd., Room 503-09, North Tower, World Finance Centre, Harbour City, Tsimshatsui, HK, China. Tel.: (852) 3185-6500.  
Mattel Europe B.V., Gouda 1, 1186 MJ Amstelveen, Nederland.  
Australia: Mattel Australia Pty. Ltd., 658 Church Street, Locked Bag #870, Richmond, Victoria 3121, Australia.  
New Zealand: 16-18 William Pickering Drive, Albany 1331, Auckland.

DTT85  
**Fisher-Price**

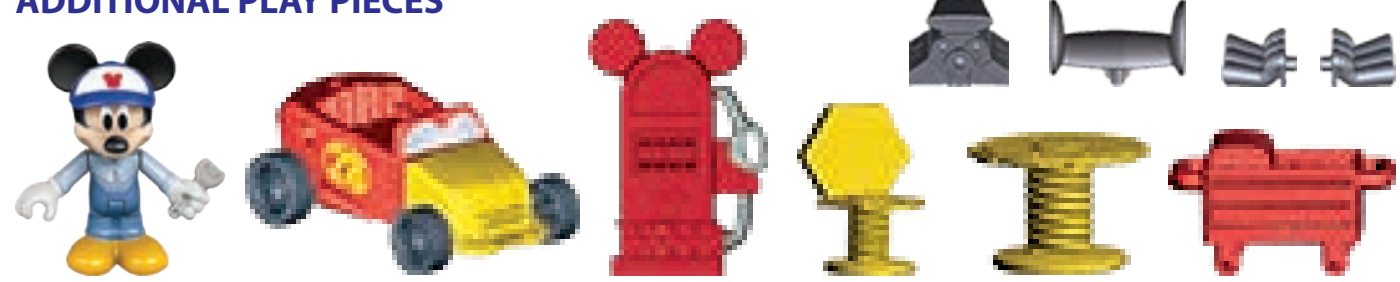
DTT85-0970-1101299583-DOM

Disney Junior **MICKEY AND THE ROADSTER RACERS** **ROADSTER RACERS GARAGE**  
**INSTRUCTIONS**  
Keep these instructions for future reference as they contain important information.

ASSEMBLY PARTS



ADDITIONAL PLAY PIECES



LABEL PLACEMENT

Add labels to the playset using the corresponding numbers on the label sheet (included).



**ASSEMBLY** ★ **NOTE:** Assembly steps that are marked with a star are "one-time snaps". Press firmly until each part clicks into place. Once these parts are put together, they cannot be taken apart.

