

Fisher-Price®

CMR51, CMR53
DKR72, DVM43
DYH25



IMPORTANT! Please keep these instructions for future reference.
Adult assembly and setup is required. No tools are needed.

fisher-price.com

Consumer Information



WARNING:

When used as a high chair:

Prevent serious injury or death from falls or sliding out.

- Always use the restraint system.
- Never leave child unattended.
- Use upright position only with a child who is able to sit up unassisted.
- Always leave wheels locked. Never use near steps.
- The tray is not designed to hold the child in the product.

When attached to an adult chair:

Prevent serious injury or death from sliding out, falls, or tipping over.

- Always use the restraint system.
- Use the restraint system until child is able to get in and out of the product without help (about 2½ years old).
- Never leave child unattended.
- Never allow child to push away from a table.
- Attach this product to an adult chair using bottom and back attachment straps.
- Never use this product on a stool or bench that does not have a seat back.
- Before each use, be sure product is properly secured to an adult chair.
- Use upright position only with a child who is able to sit up unassisted.
- The tray is not designed to hold the child in the product.
- **Prevent serious injury or death.** Never use in motor vehicles.

IMPORTANT! Before assembly, setup and each use, inspect this product for damaged hardware, loose joints, missing parts or sharp edges. Do not use the product if any parts are missing, damaged or broken. Do not use accessories or replacement parts other than those approved by the manufacturer. Never substitute parts.

- Please read these instructions before assembly and use of this product.
- Maximum weight: 50 lb (23 kg).
- Before use thoroughly wash all parts that may contact food.
- The tray, tray insert, high chair seat and seat back are dishwasher safe. You must remove the restraint system before placing the seat in the dishwasher.
- The tray and tray insert are not microwave safe.
- The restraint system, frame, youth chair seat and the chair attachment base may be wiped clean using a mild cleaning solution and a damp cloth.
- The pad is machine washable. Wash in cold water on the gentle cycle. Do not use bleach. Tumble dry separately on low heat and remove promptly.
- Product features and decorations may vary from images.

Parts



Pad



Tray

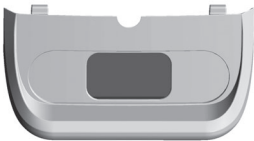


Tray Insert

Note: The tray insert is attached to the tray.



Seat Back with Restraints



Footrest with Baby Wipes Compartment



Infant Insert



Seat Bottom with Restraints

Note: The seat bottom has three parts: high chair seat, youth chair seat and chair attachment base.



Front Base



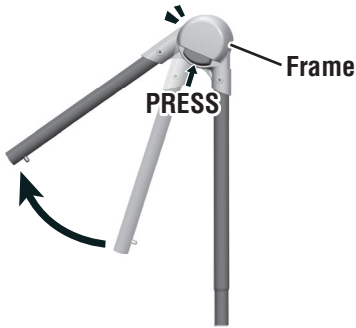
Back Base



2 Frames (Left and Right)

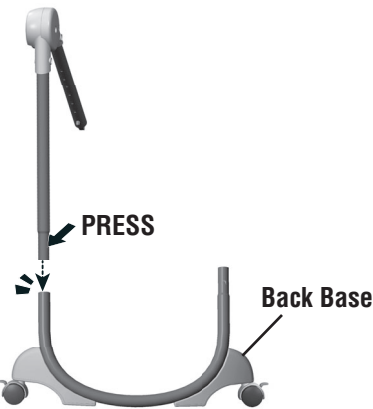
Assembly and Setup for Full-Size High Chair

Assembly steps 1-5 are one-time or a permanent assembly.
Steps 6 - 16 complete assembly/setup for use as a full-size high chair.



1

- Press the latch on the frame and open the leg until it "snaps" into place.
- Repeat this process to open the other frame.

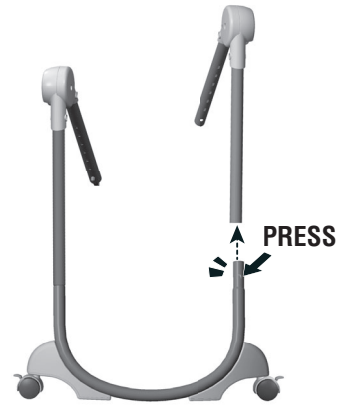


2

- Position the back base so that it curves away from you and the latch on the frame faces out.
- While pressing the button on the frame, fit the end of the frame into the back base until you hear a "click".

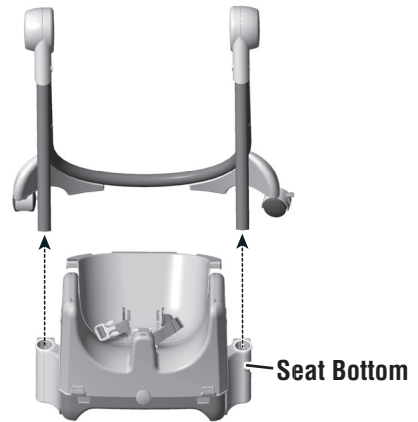
Hint: The frames are designed to fit the back base one way. If a frame does not seem to fit, try the other frame.

- Pull up on the frame to be sure it's secure to the back base.



3

- While pressing the button on the back base, insert it up into the remaining frame until you hear a "click".
- Pull up on the frame to be sure it's secure to the back base.

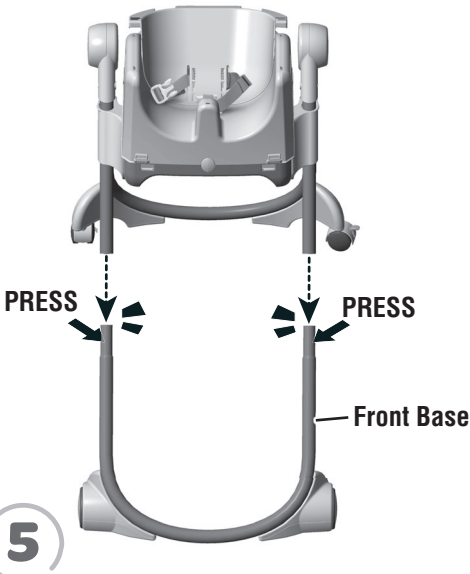


4

FRONT VIEW

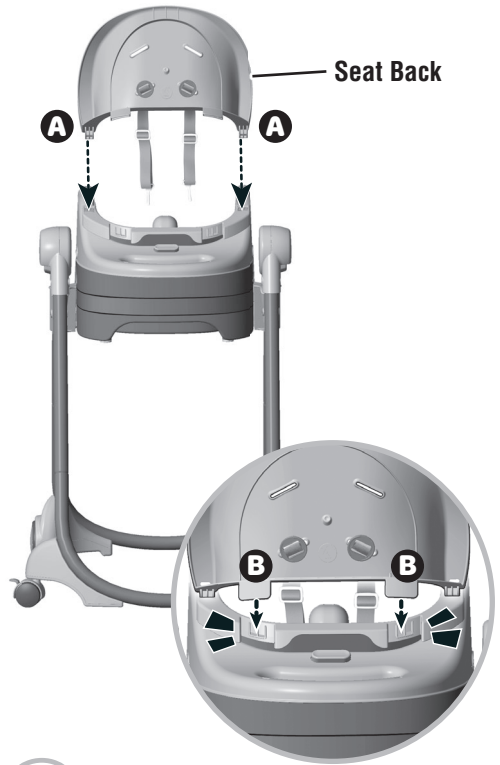
- Turn the assembly around so that the other side of the frame is facing you.
 - Fit the seat bottom onto the ends of the frame. **Slide the seat bottom all the way up.**
- Note:** The seat bottom has three parts: high chair seat, youth chair seat and chair attachment base. All three parts of the seat bottom are used for Full-Size High Chair use.

Assembly and Setup for Full-Size High Chair



5

- Position the front base so that it curves away from you.
- While pressing the buttons on the front base, lower the front end of the frame assembly into the front base until you hear a "click" on each side.
- Pull up on the frame assembly to be sure it's secure to the front base.

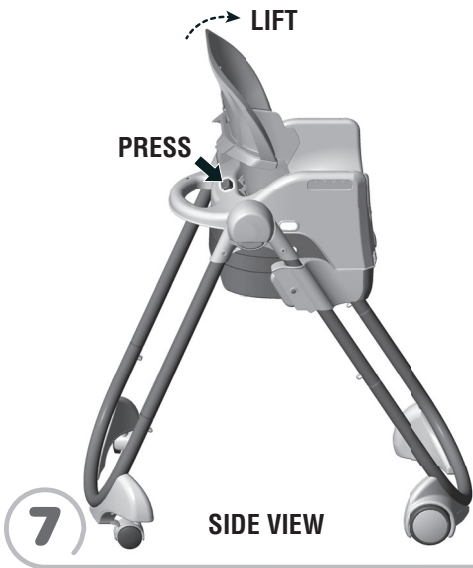


6

BACK VIEW

- At an angle, fit the front tabs on the seat back into the openings in the top of the seat bottom **A**.
- Push the seat back to "snap" both large tabs into place **B**.
- Pull up on the seat back to be sure it's secure to the seat bottom.

Assembly and Setup for Full-Size High Chair



- Press the seat back adjustment button and lift the seat back into the fully upright position.



- Fit the crotch belt up through the large opening in the pad.



- Place the pad onto the seat.



- Fit the waist belts through the lowest slots in the pad.

Assembly and Setup for Full-Size High Chair



Smaller Baby

- Fit the shoulder belts through the lower slots in the pad for a smaller baby.



- Fit the upper pad pocket over the seat back.



Larger Baby

- Fit the shoulder belts through the upper slots in the pad for a larger baby.



- Fasten the hooks on the pad to the front edge of the seat.

Assembly and Setup for Full-Size High Chair



- Fit the shoulder belts and the waist belts through the slots in the infant insert.



- At an angle, fit the tabs on the footrest into the sockets in the front of the seat. Lower the footrest in place.

Note: The footrest includes a baby wipes storage compartment. See page 19 for instructions to load baby wipes (not included, sold separately) into the compartment.

4 products in 1!



1 Full-Size High Chair
(See pages 4-8)



2 SpaceSaver High Chair
(See pages 10-11)



3 Booster Seat
(See pages 12-15)

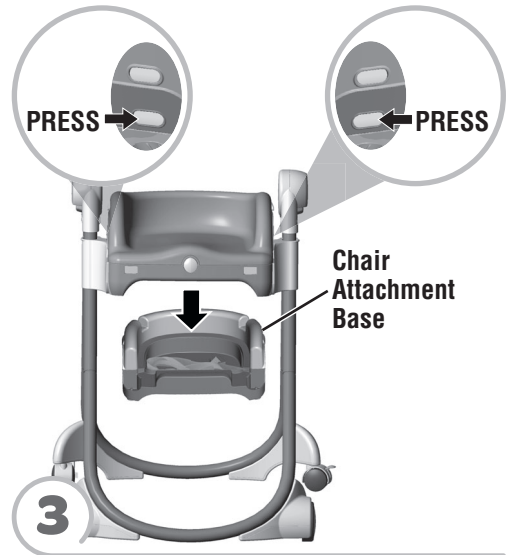


4 Youth Chair
(See page 15)

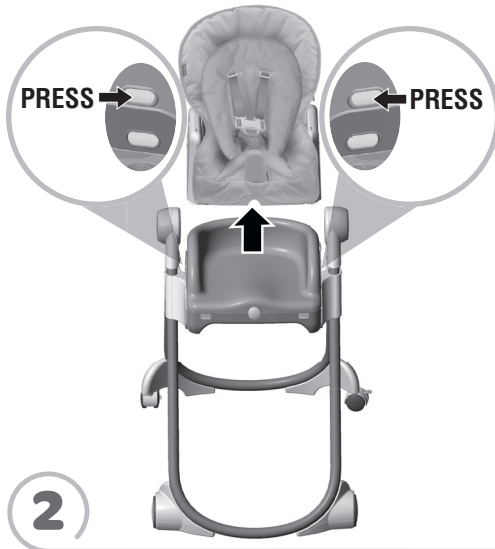
SpaceSaver High Chair Setup



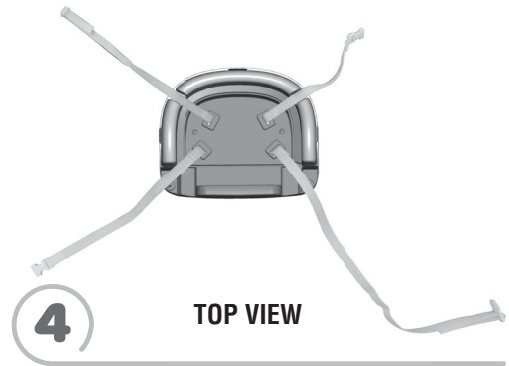
- Lift to remove the footrest.



- Press the **lower buttons** on the sides of the seat bottom and remove the chair attachment base from the youth chair seat.



- Press the **upper buttons** on the sides of the seat bottom and lift to remove the high chair seat from the youth chair seat.



- Position the attachment straps on the chair attachment base, as shown.

SpaceSaver High Chair Setup

High Chair Seat

Chair Attachment Base

5

FRONT VIEW

- Fit the high chair seat to the chair attachment base. Push to **"snap"** in place.



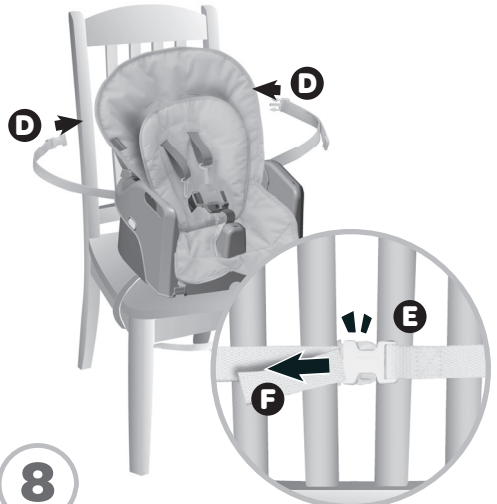
7

- Buckle the attachment straps **B**. **Make sure you hear a "click"**. Pull the free end of the attachment strap to tighten on the adult chair **C**.



6

- Place the seat on an adult chair.
- Wrap the bottom attachment straps around the bottom of the adult chair **A**.



8

- Wrap the back attachment straps around the back of the adult chair **D**.
- Buckle the attachment straps **E**. **Make sure you hear a "click."**
- Pull the free end of the attachment strap to tighten on the adult chair **F**.

Booster Seat Setup



- Lift to remove the footrest.



- Remove the pad upper pocket from the seat back.



- Unfasten the hooks on the front edge of the pad from the seat bottom.



- Push the waist and shoulder belts back through the slots in the infant insert and the pad.
- Remove the infant insert.

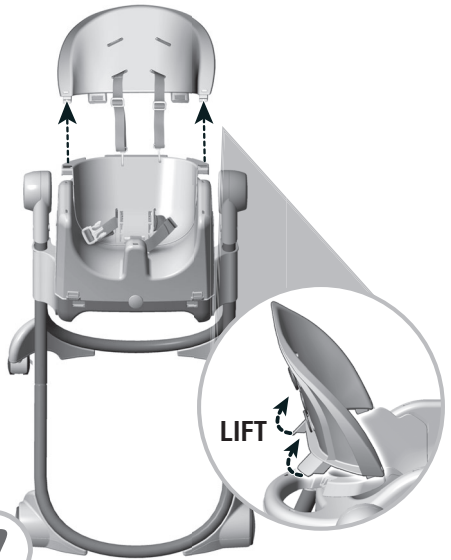
Booster Seat Setup



5

FRONT VIEW

- Push the crotch belt down through the large opening in the pad.



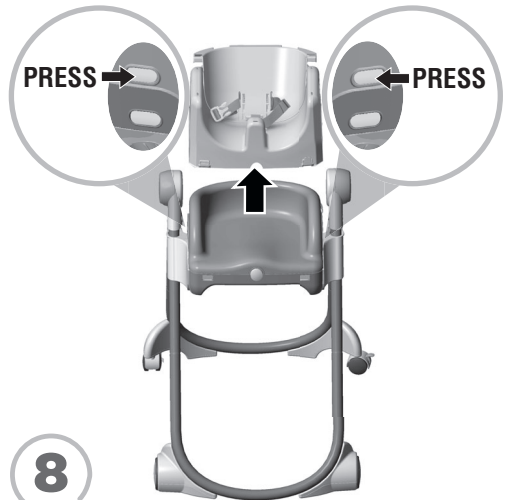
7

- Lift the large tabs on the seat back and remove the seat back.



6

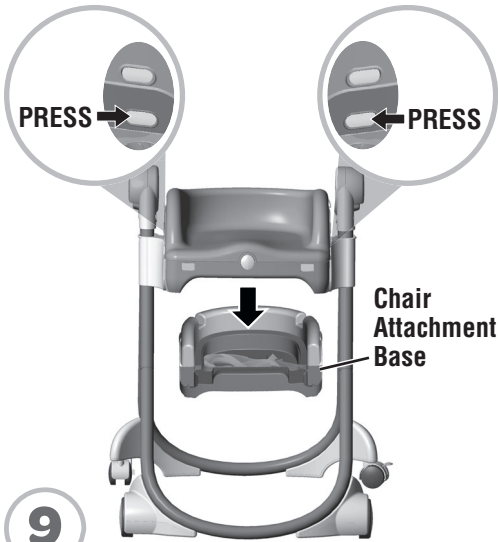
- Remove the pad from the seat.



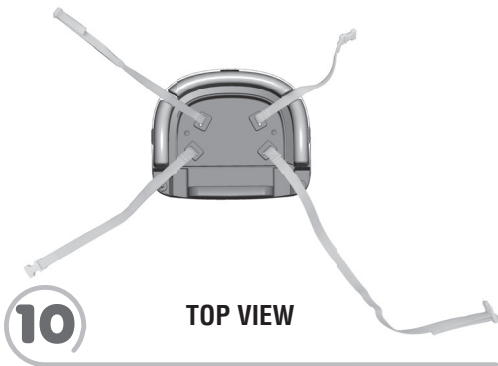
8

- Press the **upper buttons** on the sides of the seat bottom and lift to remove high chair seat from the youth chair seat.

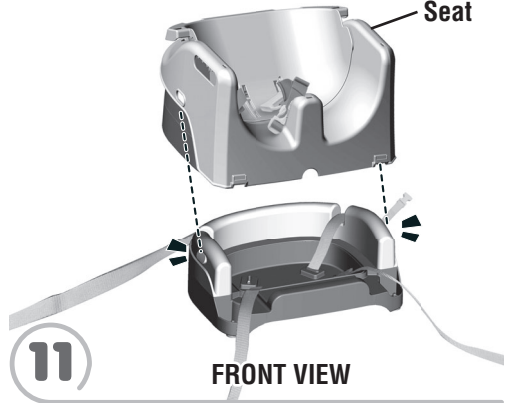
Booster Seat Setup



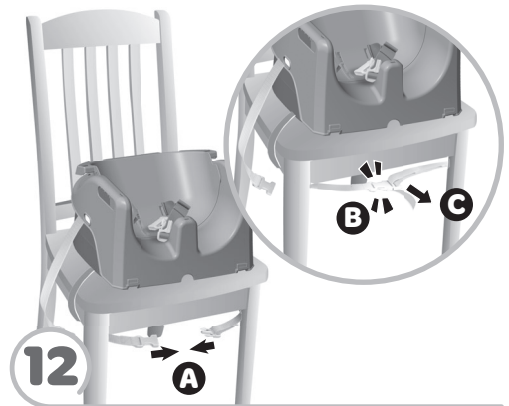
- 9
- Press the **lower buttons** on the sides of the seat bottom and remove the chair attachment base from the youth chair seat.



- Position the attachment straps on the chair attachment base, as shown.

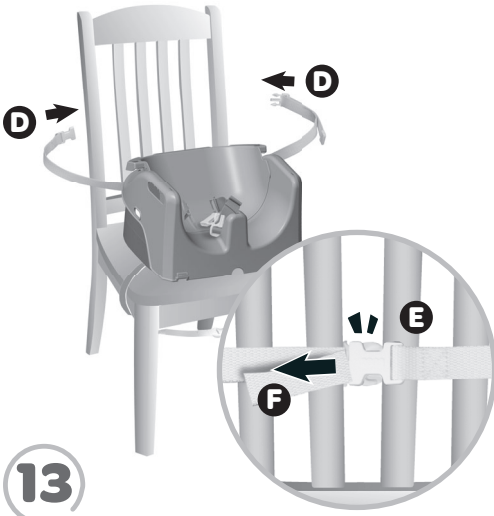


- Fit the seat to the chair attachment base. Push to "**snap**" in place.



- Place the seat on an adult chair.
- Wrap the bottom attachment straps around the bottom of the adult chair **A**.
- Buckle the attachment straps **B**. **Make sure you hear a "click"**. Pull the free end of the attachment strap to tighten on the adult chair **C**.

Booster Seat Setup

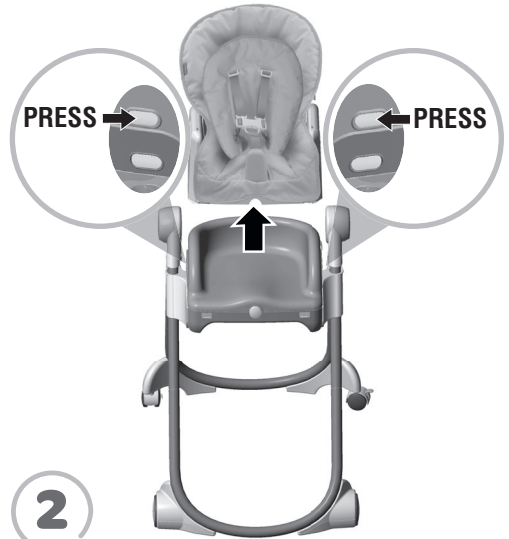


- Wrap the back attachment straps around the back of the adult chair **D**.
- Buckle the attachment straps **E**. **Make sure you hear a "click."**
- Pull the free end of the attachment strap to tighten on the adult chair **F**.

Youth Chair Setup

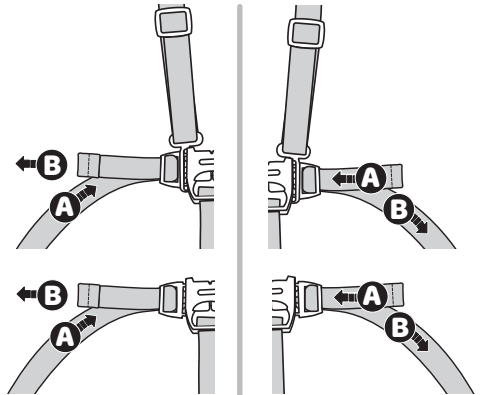


- Lift to remove the footrest.



- Press the **upper buttons** on the sides of the seat bottom and lift to remove the high chair seat from the youth chair seat.

Securing Your Child



2 TIGHTEN

LOOSEN



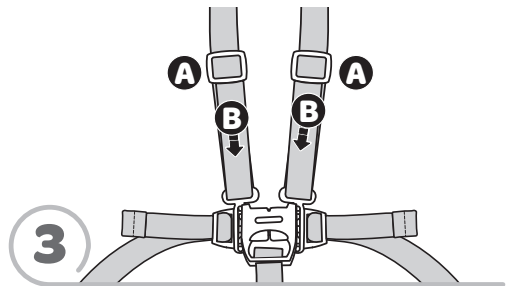
1

- Place your child in the seat. Position the crotch belt between your child's legs.
- Fit the end of each waist belt through the end of each shoulder belt.

Note: There are no shoulder belts for booster seat use.

- Fasten the waist/shoulder belts to the crotch belt. **Make sure you hear a "click" on both sides.**
- Check to be sure the restraint system is securely attached by pulling it away from your child. The restraint system should remain attached.
- Tighten each waist/shoulder belt so that the restraint system is snug against your child. Please refer to the next section for instructions to tighten the waist/shoulder belts.

- **To tighten the waist belts:** Feed the anchored end of the belt up through the buckle to form a loop **A**. Pull the free end of the belt **B**. Repeat this procedure to tighten the other belt.
- **To loosen the waist belts:** Feed the free end of the belt up through the buckle to form a loop **A**. Enlarge the loop by pulling on the end of the loop toward the buckle. Pull the anchored end of the belt to shorten the free end of the belt **B**. Repeat this procedure to loosen the other belt.



3

To tighten the shoulder belts:

- Hold the adjuster **A** and pull the front shoulder strap down **B**.

To loosen the shoulder belts:

- Slide the adjuster down.

Tray Use



- Fit the tray onto the armrests.

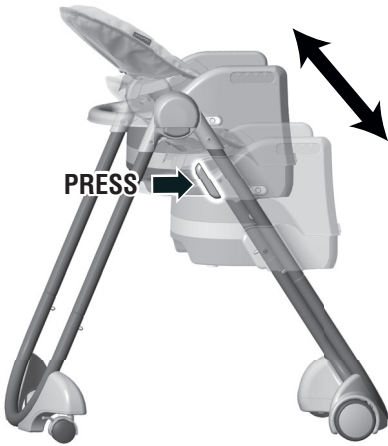


- Press the button on the front of the tray to move the tray forward, backward or to remove.



- Place the tray insert onto the tray.

Seat Height Adjustment



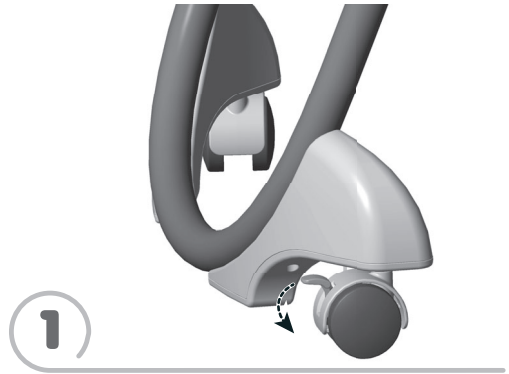
- Press the latches on each side of the frame and lift or lower the seat to the desired height.

Seat Recline Adjustment



- Press the button on the back of the seat and lift or lower the seat back to the desired position.

Wheel Locks



- Lower the tab on each rear wheel to **lock** in place.



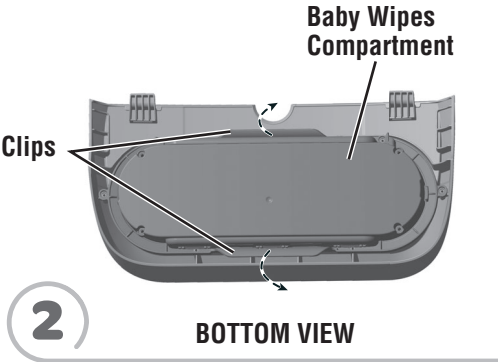
- Lift the tab on each rear wheel to **unlock** the wheels.

Baby Wipes Compartment

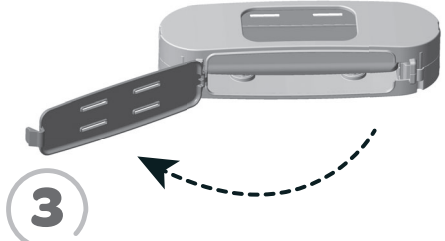
Baby wipes are not included and sold separately.



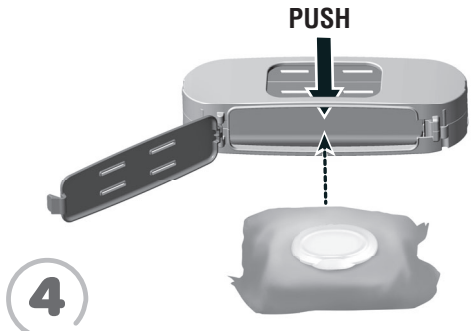
•Lift to remove the footrest.



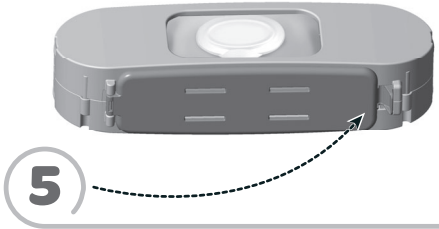
•Place the footrest face down.
•Spread the clips on the footrest and remove the baby wipes compartment.



•Open the door on the compartment.

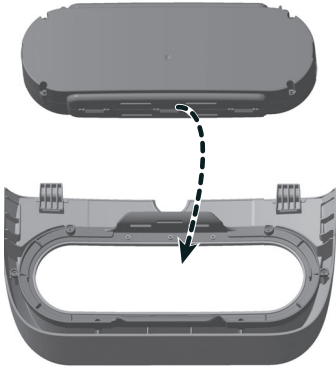


•While pushing the spring loaded plate, insert a container of baby wipes (not included and sold separately).



•Close the door.

Baby Wipes Compartment



6

BACK VIEW

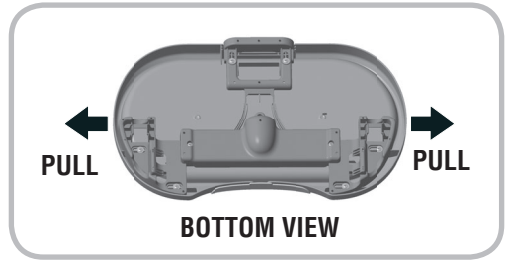
- Fit the baby wipes compartment into the back side of the footrest.



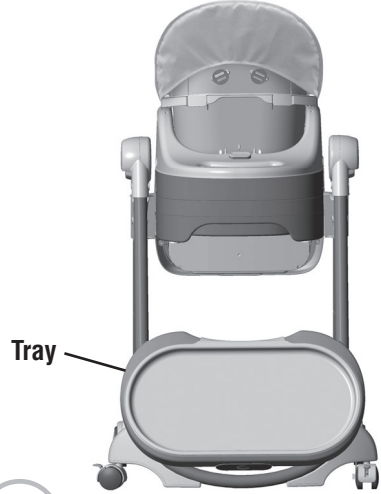
7

- At an angle, fit the tabs on the footrest into the sockets in the front of the seat. Lower the footrest in place.

Storage



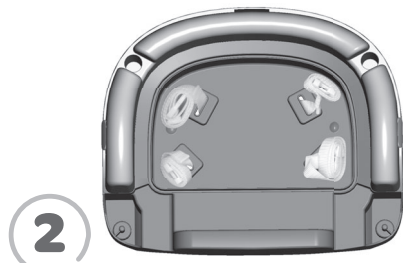
BOTTOM VIEW



1

BACK VIEW

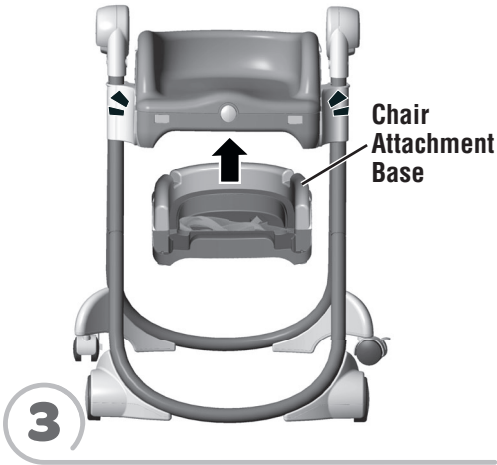
- Turn the tray face down. Pull the latches out.
- Fit the tray onto the high chair legs.



2

- When replacing the chair attachment base to the bottom of the seat, be sure the straps are rolled and within the compartment, as shown.

Storage



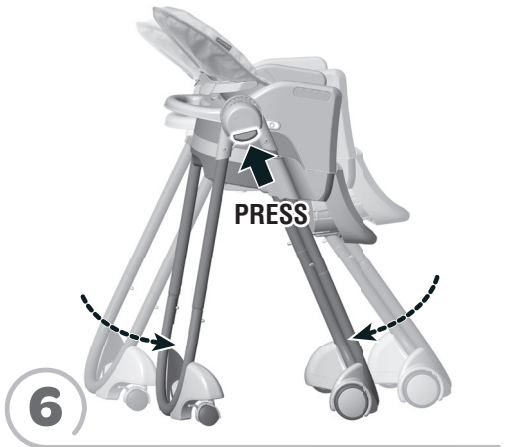
- Fit the chair attachment base to the bottom of the seat. Push to **"snap"** in place.



- Place the high chair seat onto the youth chair seat. Push to **"snap"** in place.



- At an angle, fit the tabs on the footrest into the sockets in the front of the seat. Lower the footrest in place.



- Press the frame latches on each side of the seat and push the frame closed.

Note: To open the frame, press the frame latches on each side of the seat and pull the frame open.

Dishwasher Safe

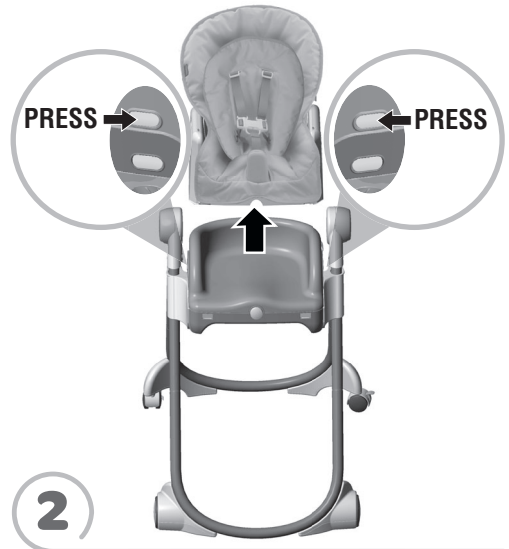
The tray, tray insert, seat back and seat bottom are dishwasher safe.



IMPORTANT! Remove the restraint system, pad and infant insert from the seat bottom and the seat back before placing in dishwasher.

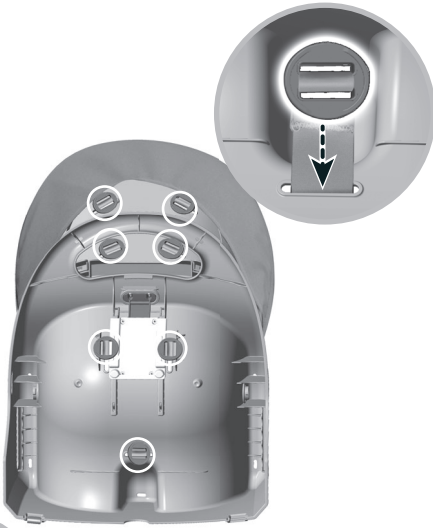


• Lift to remove the footrest.



• Press the **upper buttons** on the sides of the seat bottom and lift to remove the high chair seat from the youth chair seat.

Dishwasher Safe



3

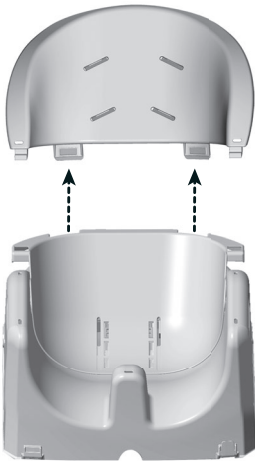
BACK VIEW

- Place the seat so that the back faces you.
- Fit the belt disks back through the slots.
- Remove the restraint system, pad and infant insert.



5

- When replacing the restraint system, we recommend that you buckle it as you would when restraining your child. This will make it easier to see where each belt should be replaced in the seat.
- Assemble the seat back to the seat bottom.
- Insert the disks on the ends of the restraint system into the slots in the seat.
- Follow the assembly/setup instructions to complete assembly/setup of this product.



4

- Lift the large tabs on the back side of the seat back and remove the seat back.



CONSUMER ASSISTANCE

1-800-432-5437 (US)



service.fisher-price.com

Fisher-Price, Inc., 636 Girard Avenue, East Aurora, NY 14052.

Hearing-impaired consumers/Cientes con problemas auditivos
1-800-382-7470.