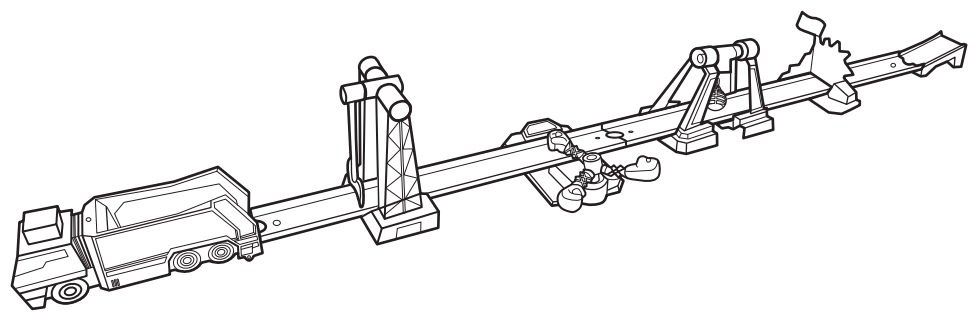




DAREDEVIL DERBY™



4+

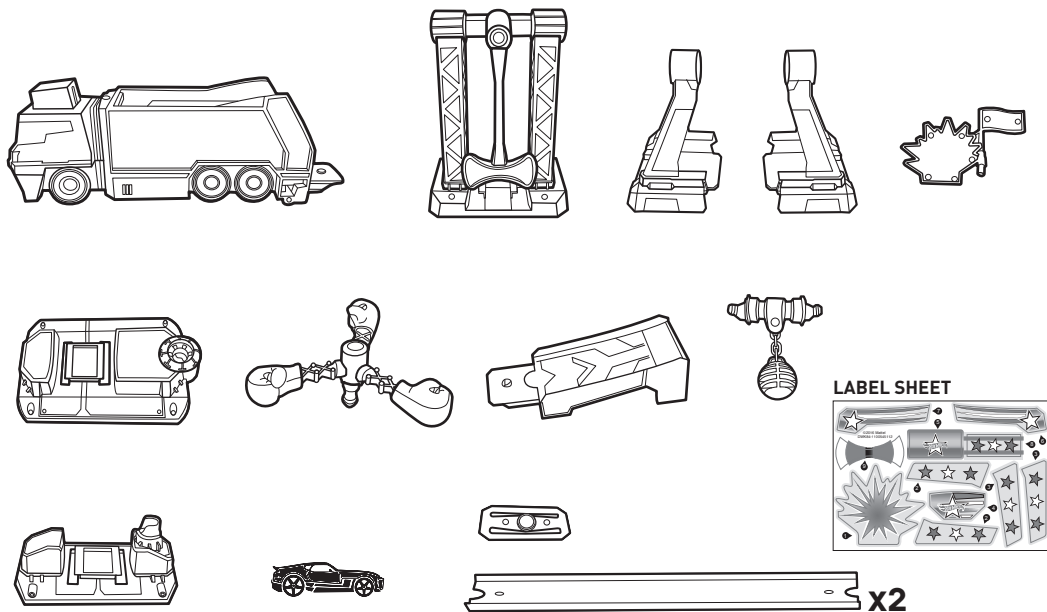
service.mattel.com
HOTWHEELS.COM



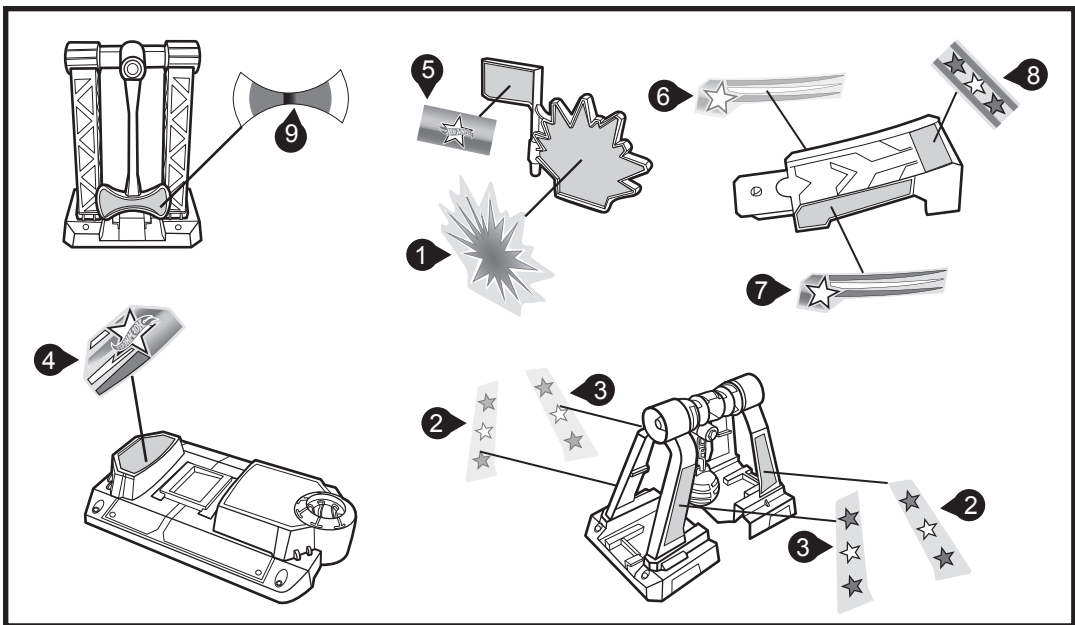
ASST.DNR74
DWK84-0970
1101093548-00M

PLEASE KEEP THESE INSTRUCTIONS FOR FUTURE REFERENCE AS THEY CONTAIN IMPORTANT INFORMATION.

CONTENTS

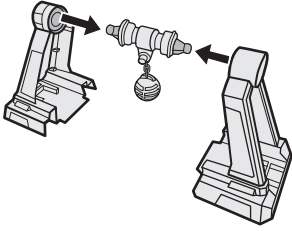


APPLY LABELS

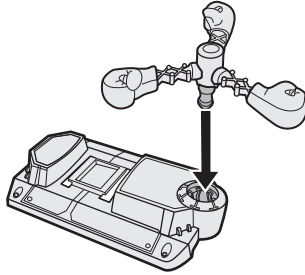


ASSEMBLY

1.

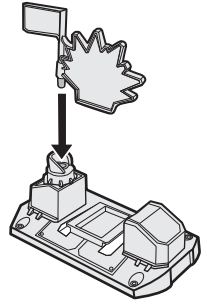


2.

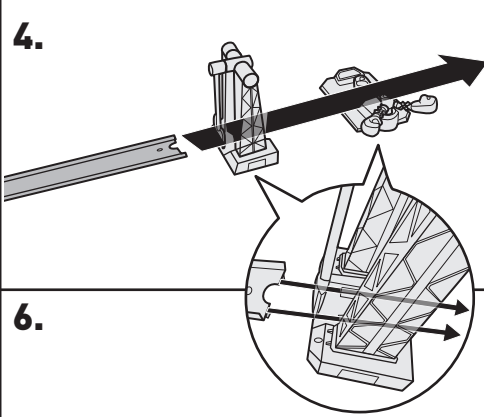


ONE-TIME ASSEMBLY

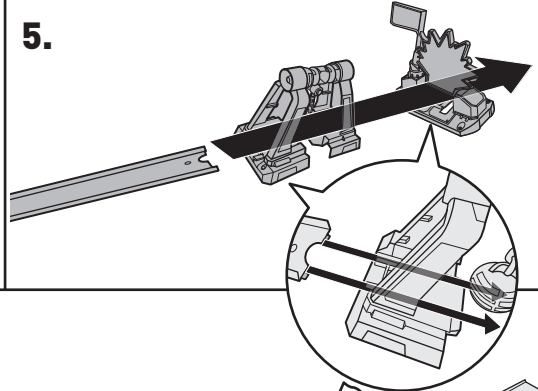
3.



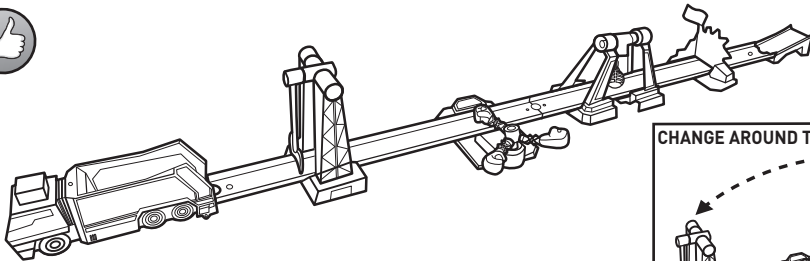
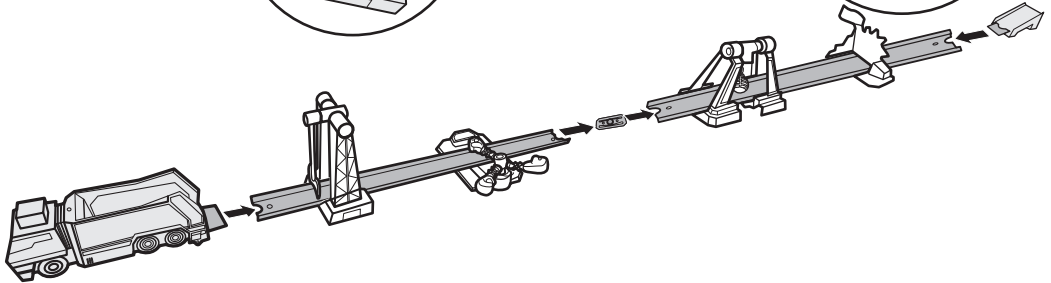
4.



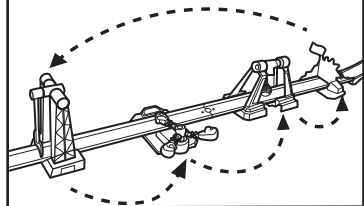
5.



6.



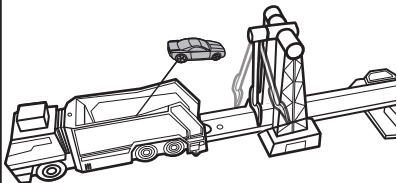
CHANGE AROUND THE HAZARDS!



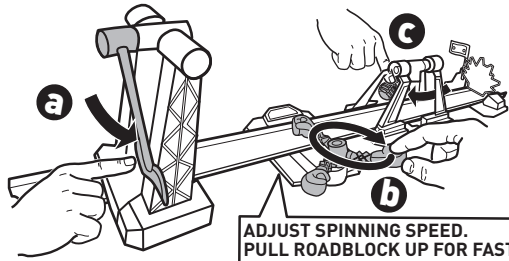
NOT FOR USE WITH SOME HOT WHEELS® VEHICLES.

TO PLAY

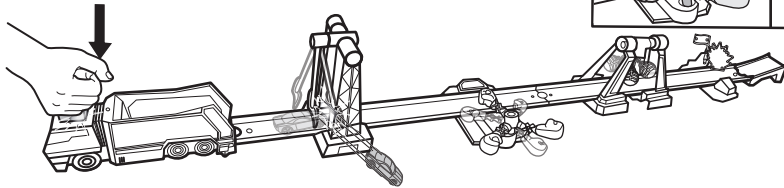
1. LOAD CAR INTO LAUNCHER.



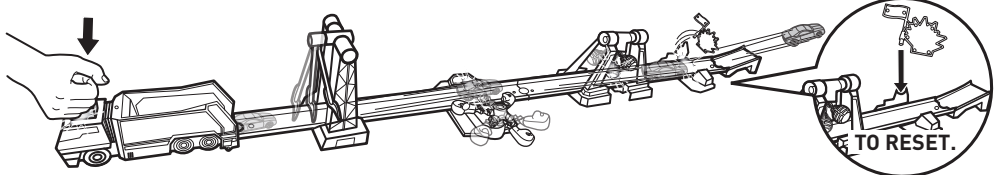
2. SET UP SWINGING AX AND SPINNING ROAD BLOCK.



3A. TIME IT WRONG AND YOUR CAR GETS CRASHED!

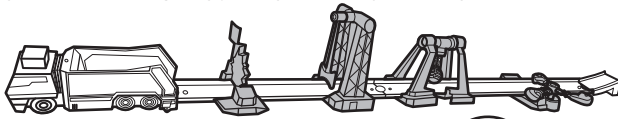


3B. TIME IT RIGHT TO RACE THROUGH THE HAZARDS AND TAKE THE FLAG!

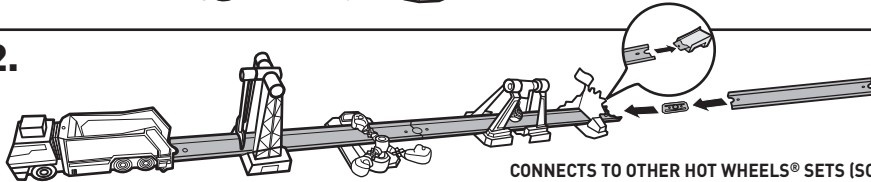


MORE WAYS TO PLAY

1. CHANGE IT UP! MOVE THE HAZARDS AROUND FOR A NEW CHALLENGE!



2.



CONNECTS TO OTHER HOT WHEELS® SETS (SOLD SEPARATELY).