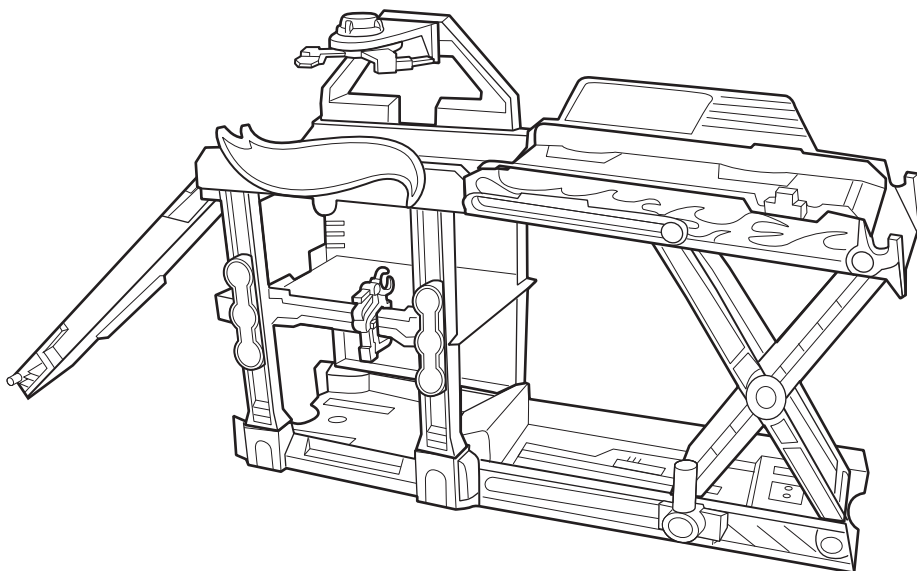




ROBO-LIFT SPEED SHOP



4+

service.mattel.com
HOTWHEELS.COM

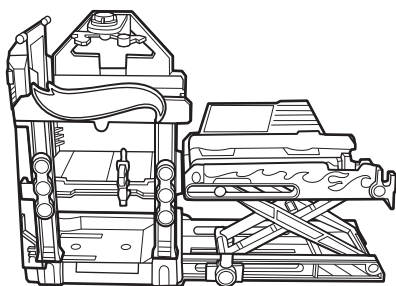
 **WARNING:**
CHOKING HAZARD - Small parts.
Not for children under 3 years.



ASST.DWK99
DWL02-0970
1101107649-DOM

PLEASE KEEP THESE INSTRUCTIONS FOR FUTURE REFERENCE AS THEY CONTAIN IMPORTANT INFORMATION.

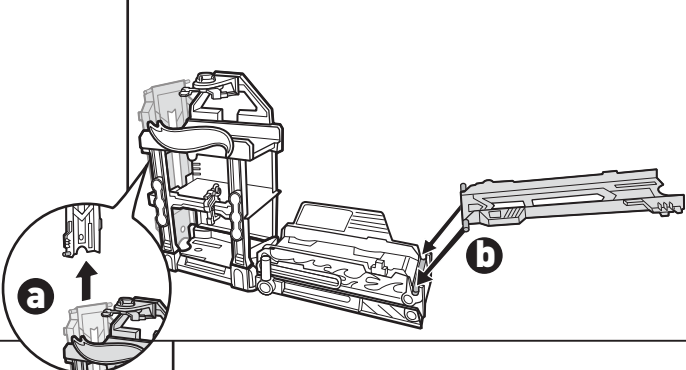
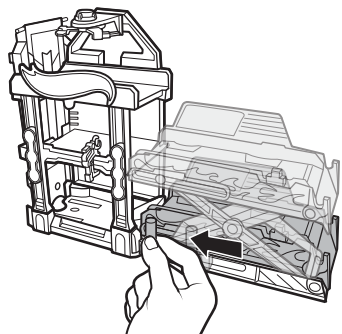
CONTENTS



TO PLAY

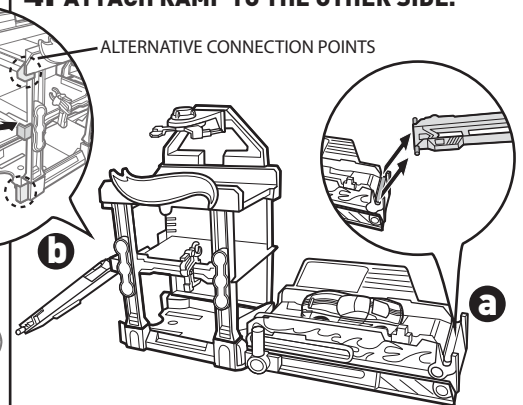
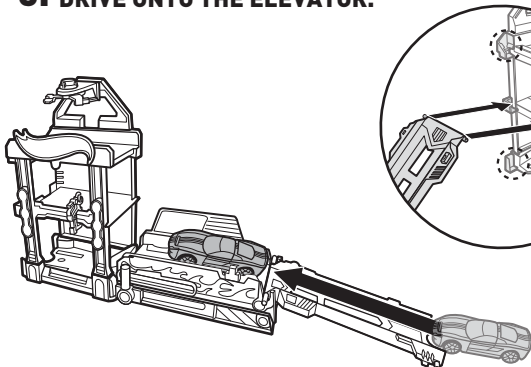
1. SLIDE LEFT TO LOWER THE ELEVATOR.

2. TAKE RAMP OUT AND ATTACH TO ELEVATOR.



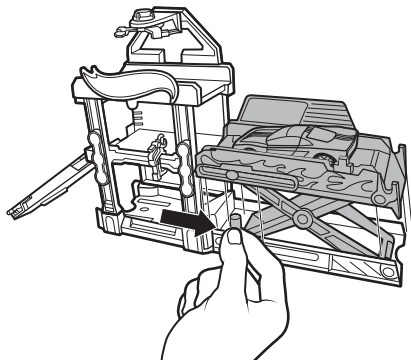
3. DRIVE ONTO THE ELEVATOR.

4. ATTACH RAMP TO THE OTHER SIDE.

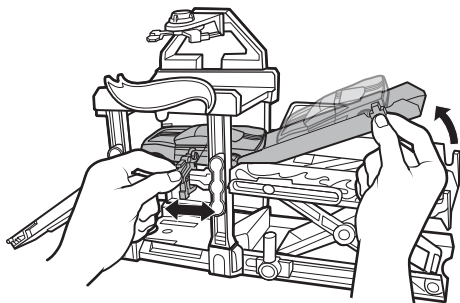


TO PLAY (CONTD.)

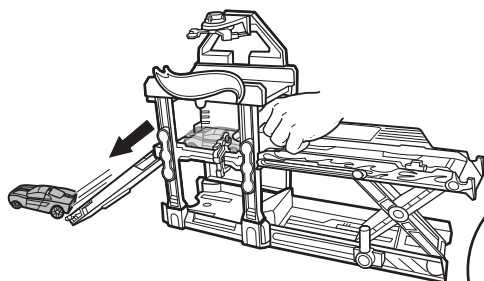
5a. SLIDE RIGHT TO MOVE CAR UP A LEVEL.



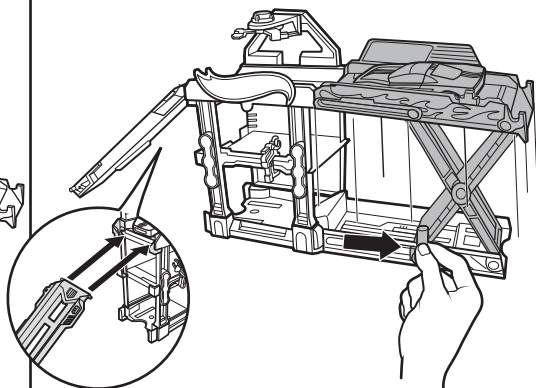
5b. TILT LIFT AND DRIVE INTO THE SPEED SHOP.



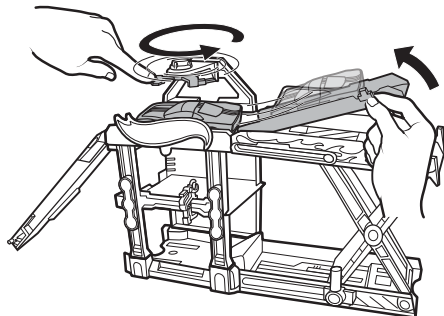
5c. RACE DOWN THE EXIT RAMP!



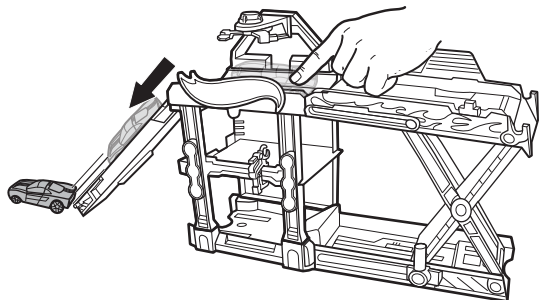
6a. CONTINUE SLIDING RIGHT TO MOVE CAR UP TO THE ROOF.



6b. SPIN ROBOT ARM TO TUNE-UP THE CAR!



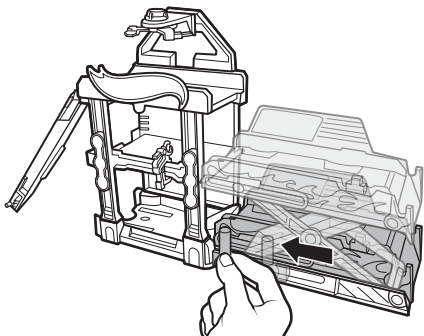
6c. RACE DOWN FROM THE ROOF!



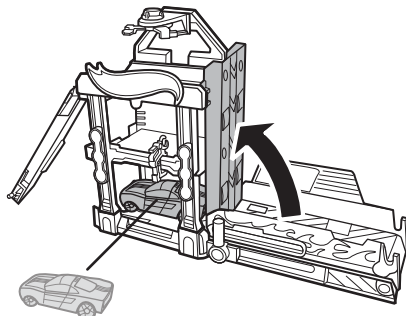
NOT FOR USE WITH SOME HOT WHEELS® VEHICLES.

STORAGE

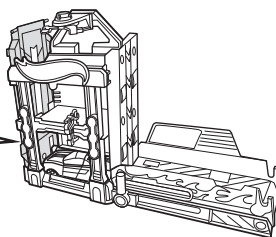
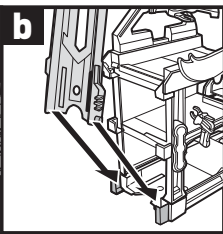
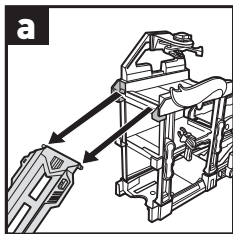
1. SLIDE LEFT TO LOWER THE ELEVATOR.



2. STORE VEHICLE INSIDE THE SHOP AND FOLD ELEVATOR UP.

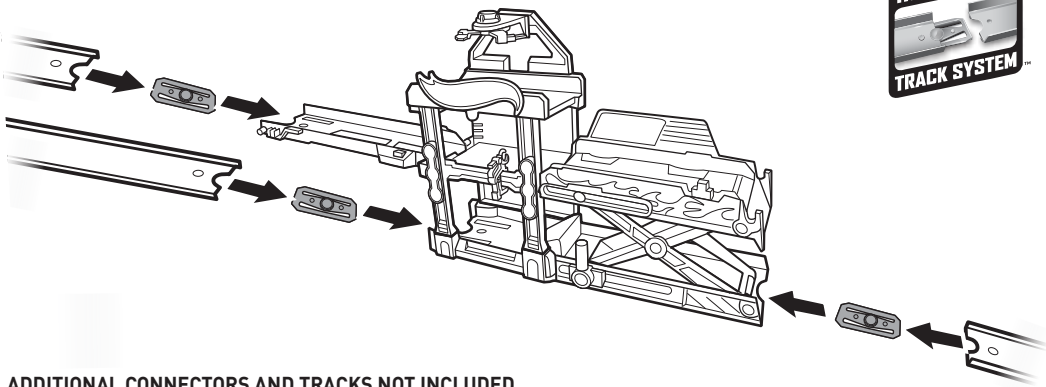


3. REMOVE RAMP AND SLIDE IT INTO THE SET.



MORE WAYS TO PLAY

CONNECTS TO OTHER HOT WHEELS® SETS (SOLD SEPARATELY).



ADDITIONAL CONNECTORS AND TRACKS NOT INCLUDED.

©2016 Mattel. All Rights Reserved. Mattel, Inc., 636 Girard Avenue, East Aurora, NY 14052, U.S.A. Consumer Services 1-800-524-8697. Mattel U.K. Ltd., Vanwall Business Park, Maidenhead SL6 4UB. Helpline 01628 500303. Mattel Australia Pty., Ltd., Richmond, Victoria, 3121. Consumer Advisory Service - 1300 135 312. Mattel East Asia Ltd., Room 503-09, North Tower, World Finance Centre, Harbour City, Tsimshatsui, HK, China. Tel.: (852) 3185-6500. Diimport & Diedarkan Oleh: Mattel Southeast Asia Pte. Ltd., No 19-1, Tower 3 Avenue 7, Bangsar South City, No 8, Jalan Kerinchi, 59200 Kuala Lumpur, Malaysia. Tel: 03-78803817, Fax: 03-78803867.