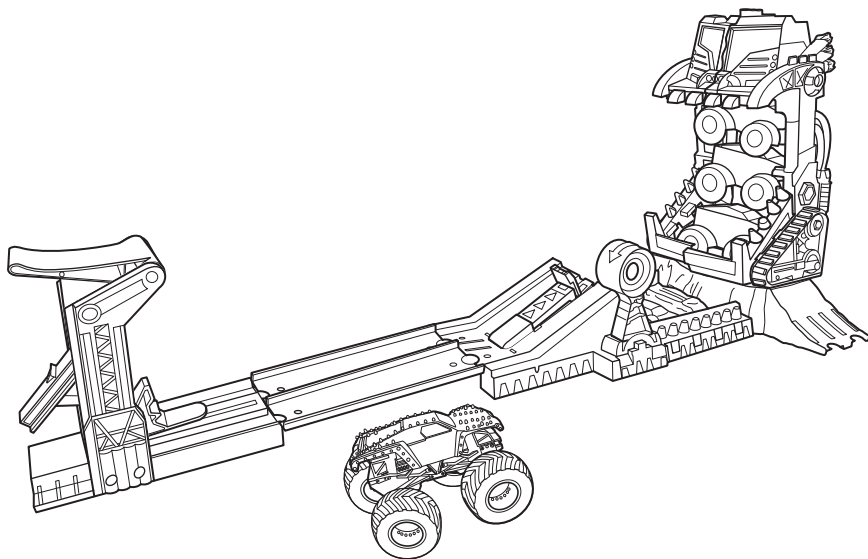




FRONT-FLIP TAKEDOWN



© 2016 Feld Motor Sports, Inc.

MONSTER JAM®, UNITED STATES HOT ROD ASSOCIATION®, USHRA®, AFTERBURNER®, BACKWARDS BOB®, BLACKSMITH®, BLUE THUNDER®, BULLDOZER®, CAPTAIN'S CURSE®, CRUSADER®, DOOM'S DAY™, DRAGON™, DRAGON'S BREATH®, EL DIABLO™, EL TORO LOCO®, GRAVE DIGGER®, GRAVE DIGGER THE LEGEND®, GRINDER®, INFERNO®, MAXIMUM DESTRUCTION®, MAX-D®, MOHAWK WARRIOR®, MONSTER MUTT®, NEW EARTH AUTHORITY®, POLICE, NORTHERN NIGHTMARE®, SOLDIER FORTUNE™, SON-UVA DIGGER®, ZOMBIE™ and ZOMBIE HUNTER™ are trademarks used under license by Feld Motor Sports, Inc.

All rights reserved.

4+

service.mattel.com

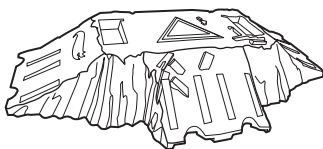
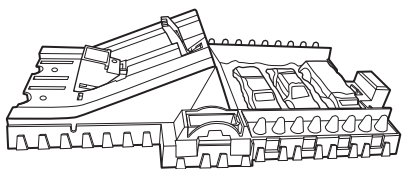
HOTWHEELS.COM



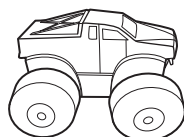
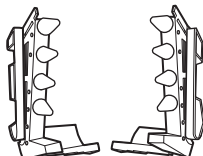
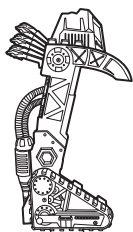
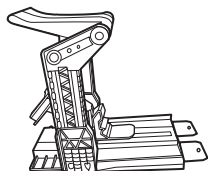
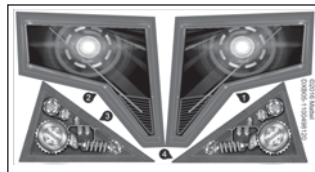
DXB05-0970G2

PLEASE KEEP THESE INSTRUCTIONS FOR FUTURE REFERENCE AS THEY CONTAIN IMPORTANT INFORMATION.

CONTENTS

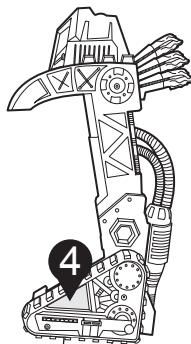
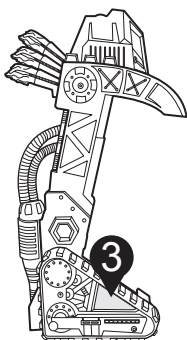
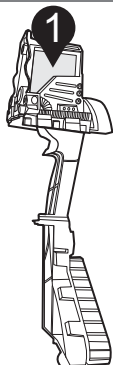
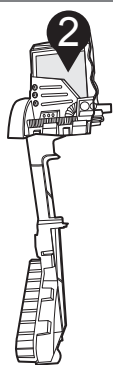


LABEL SHEET

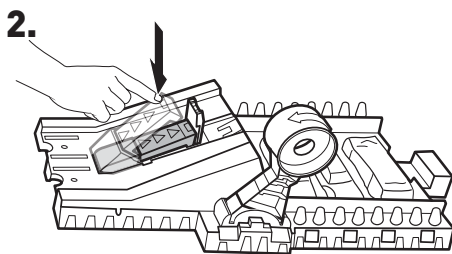
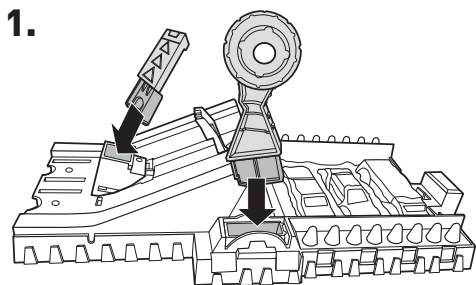


x3

APPLY LABELS

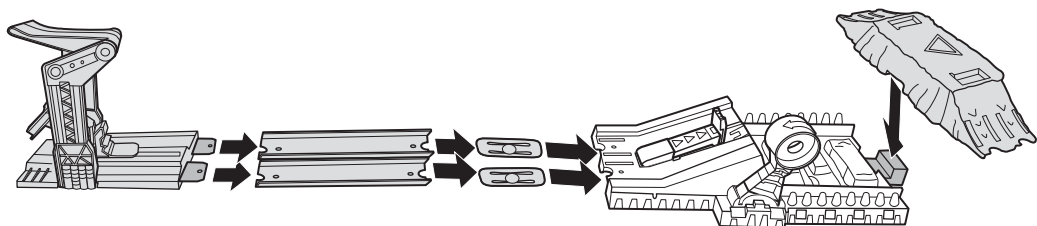


ASSEMBLY

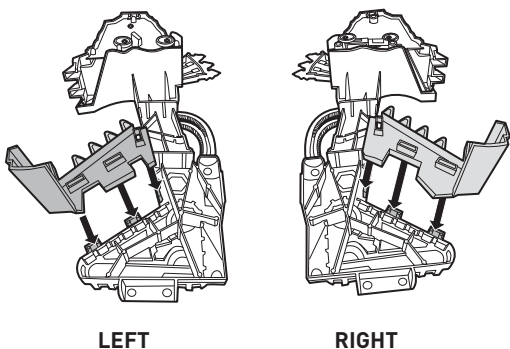


ASSEMBLY (CONTD.)

3.



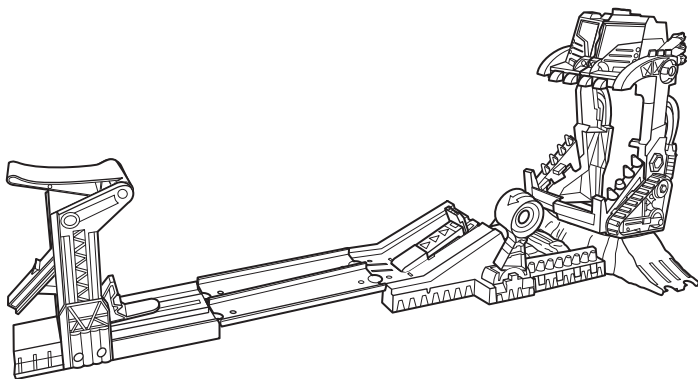
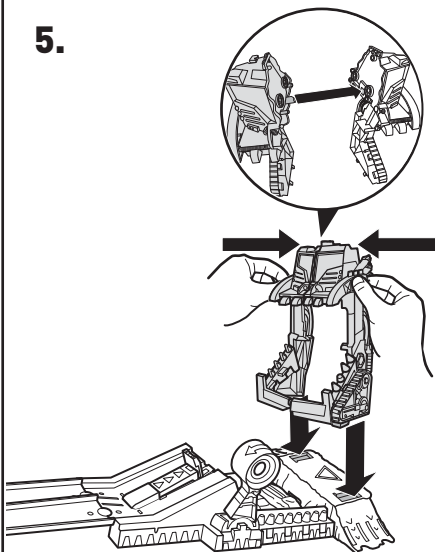
4.



LEFT

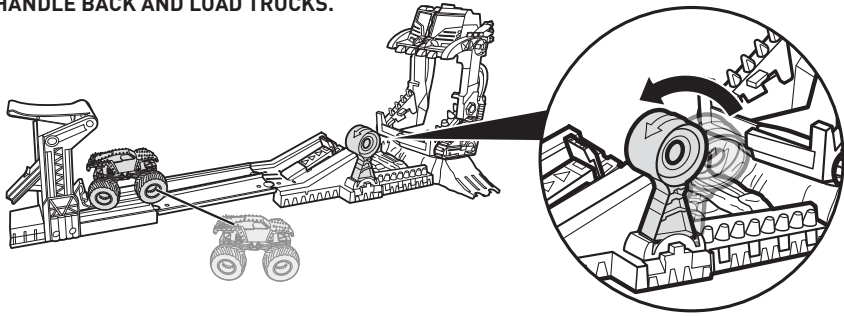
RIGHT

5.

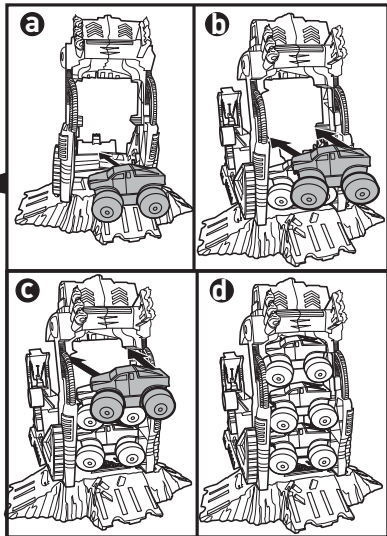
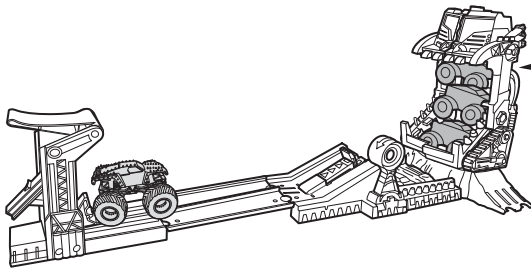


TO PLAY: JUMP MODE

1. PULL HANDLE BACK AND LOAD TRUCKS.



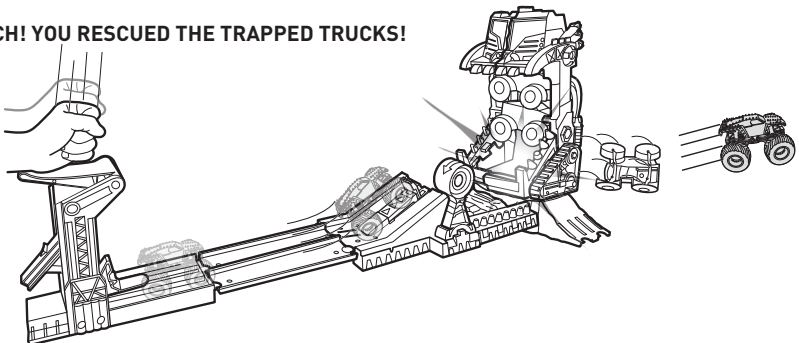
2. STACK TRUCKS ONTO THE LOADING TABS IN BACK OF CRUSH DOZER™.



BACK VIEW

COOL HINT: YOU CAN ALSO STACK YOUR 1:64 MONSTER JAM® TRUCKS (SOLD SEPARATELY) INTO THE CRUSH DOZER™!

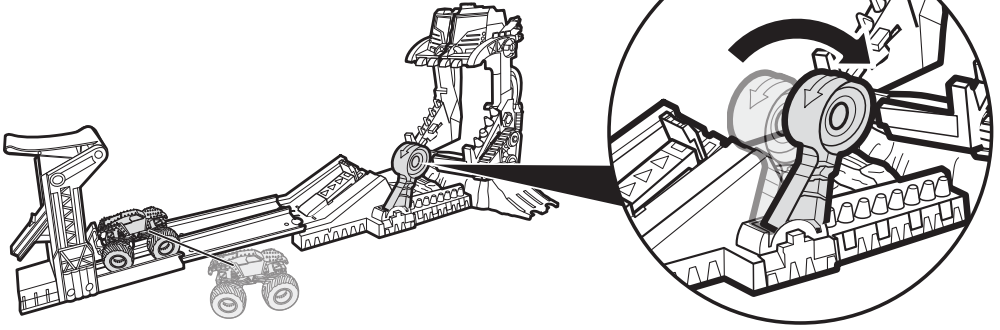
3. SLAM TO LAUNCH! YOU RESCUED THE TRAPPED TRUCKS!



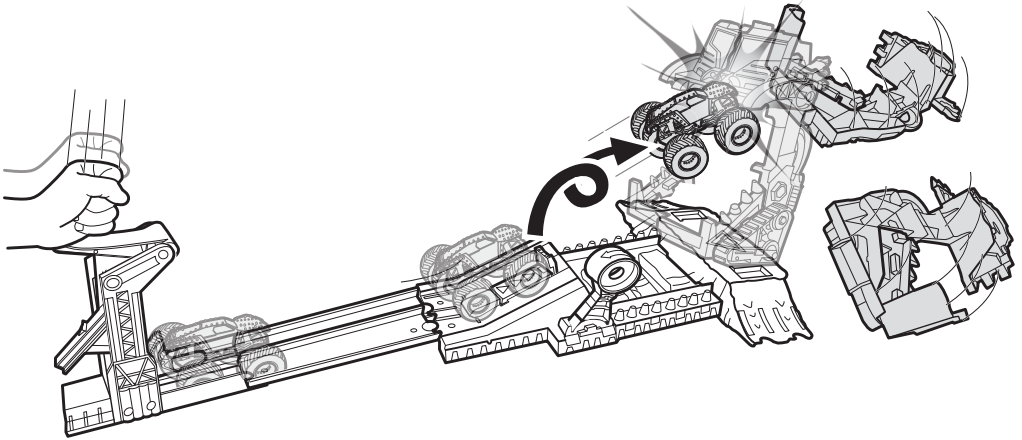
WARNING: Do not aim at eyes or face. Only use projectiles supplied with this toy. Do not fire at point blank range.

TO PLAY: FRONT-FLIP MODE

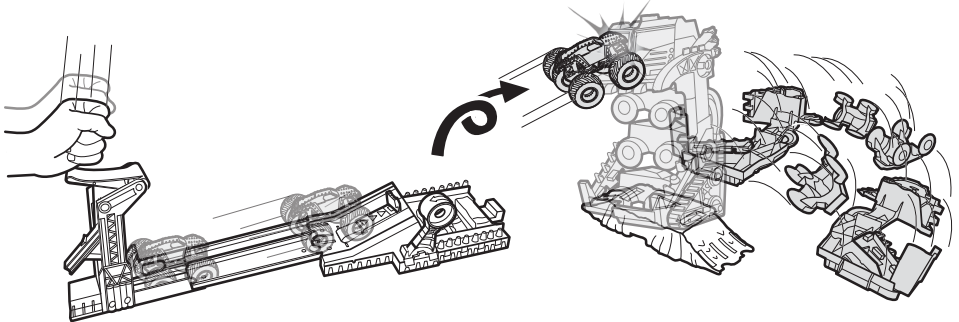
1. SHIFT HANDLE FORWARD AND PREPARE FOR DESTRUCTION!



2. SLAM TO LAUNCH! FRONT-FLIP AND DESTROY THE CRUSH DOZER™!

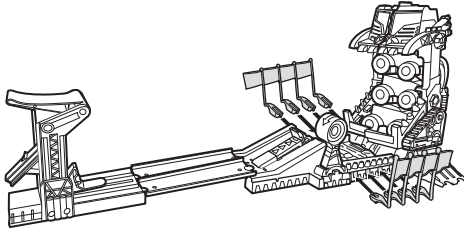


FOR AN EXTRA CHALLENGE, SEPARATE THE CRUSH DOZER™ BASE FROM THE PLAY SET AND MOVE IT BACK. CAN YOU MAKE A LONGER FLIP AND NAIL THE CRUSH DOZER™?

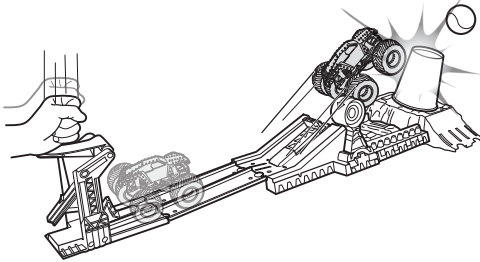


MORE WAYS TO PLAY

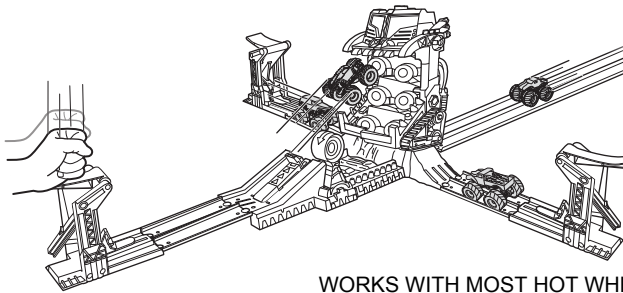
1. CUSTOMIZE YOUR PLAYSET WITH TEAM FLAGS (SOLD SEPARATELY)!



2. KNOCK DOWN HOUSEHOLD OBSTACLES (NOT INCLUDED)!



3. CONNECT LAUNCHERS OR TRACKS FROM OTHER HOT WHEELS® SETS (SOLD SEPARATELY) TO ATTACK FROM ALL DIRECTIONS!



WORKS WITH MOST HOT WHEELS® VEHICLES (NOT INCLUDED).

4. REPOSITION TRUCKS AND DO WILD STUNTS!

