

# MATCHBOX

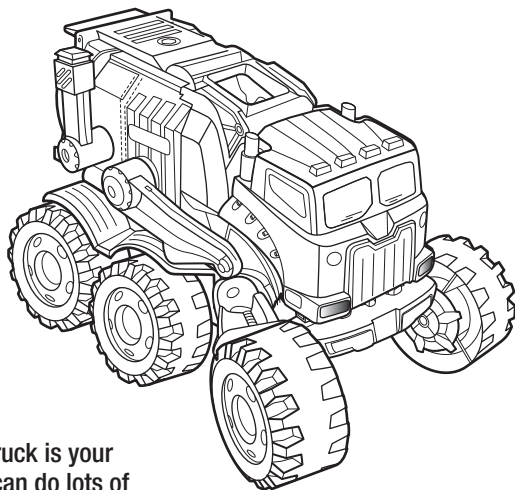
## STINKY® THE GARBAGE TRUCK INSTRUCTIONS



Please keep these instructions for future reference as they contain important information.

### CONTENTS / 3+

Not intended for outdoor use. Sand, dirt and water will cause malfunction.



Stinky® the Garbage Truck is your interactive buddy. He can do lots of different things:

1. Speak
2. Sing
3. Eat
4. Load & Dump
5. React

DXT65-9993-DOM



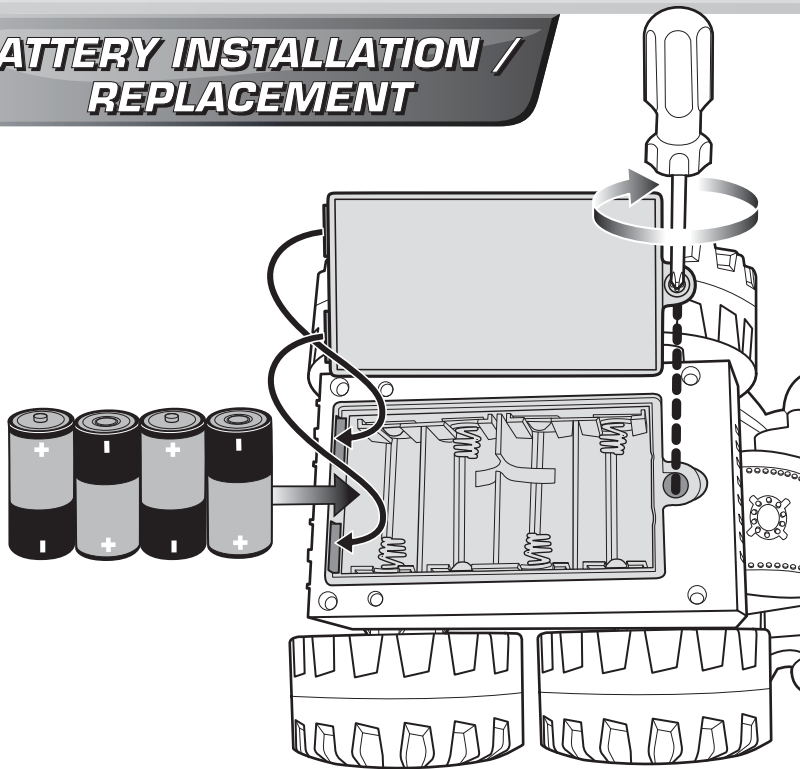
Requires 4 "C" alkaline batteries.

Batteries included are for demonstration purposes.

©2015 Mattel. All Rights Reserved. Mattel, Inc., 636 Girard Avenue, East Aurora, NY 14052, U.S.A. Consumer Services 1-800-524-8697. Mattel U.K. Ltd., Vanwall Business Park, Maidenhead SL6 4UB. Helpline 01628 500303. Mattel Australia Pty., Ltd., Richmond, Victoria. 3121. Consumer Advisory Service - 1300 135 312. Mattel East Asia Ltd., Room 503-09, North Tower, World Finance Centre, Harbour City, Tsimshatsui, HK, China. Tel.: (852) 3185-6500. Diimport & Diedarkan Oleh: Mattel Southeast Asia Pte. Ltd., No 19-1, Tower 3 Avenue 7, Bangsar South City, No 8, Jalan Kerinchi, 59200 Kuala Lumpur, Malaysia. Tel: 03-78803817, Fax: 03-78803867.

SERVICE.MATTEL.COM

# BATTERY INSTALLATION / REPLACEMENT



BOTTOM VIEW

- Remove battery cover with a Phillips head screwdriver (not included).
- Remove batteries included for demonstration purposes and dispose of them safely.
- Install 4 new "C" alkaline batteries in the orientation (+/-) shown.
- Replace battery cover and tighten screw.
- Replace the batteries if the product does not function properly.

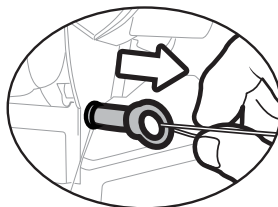
## BATTERY SAFETY INFORMATION

In exceptional circumstances batteries may leak fluids that can cause a chemical burn injury or ruin your product. To avoid battery leakage:

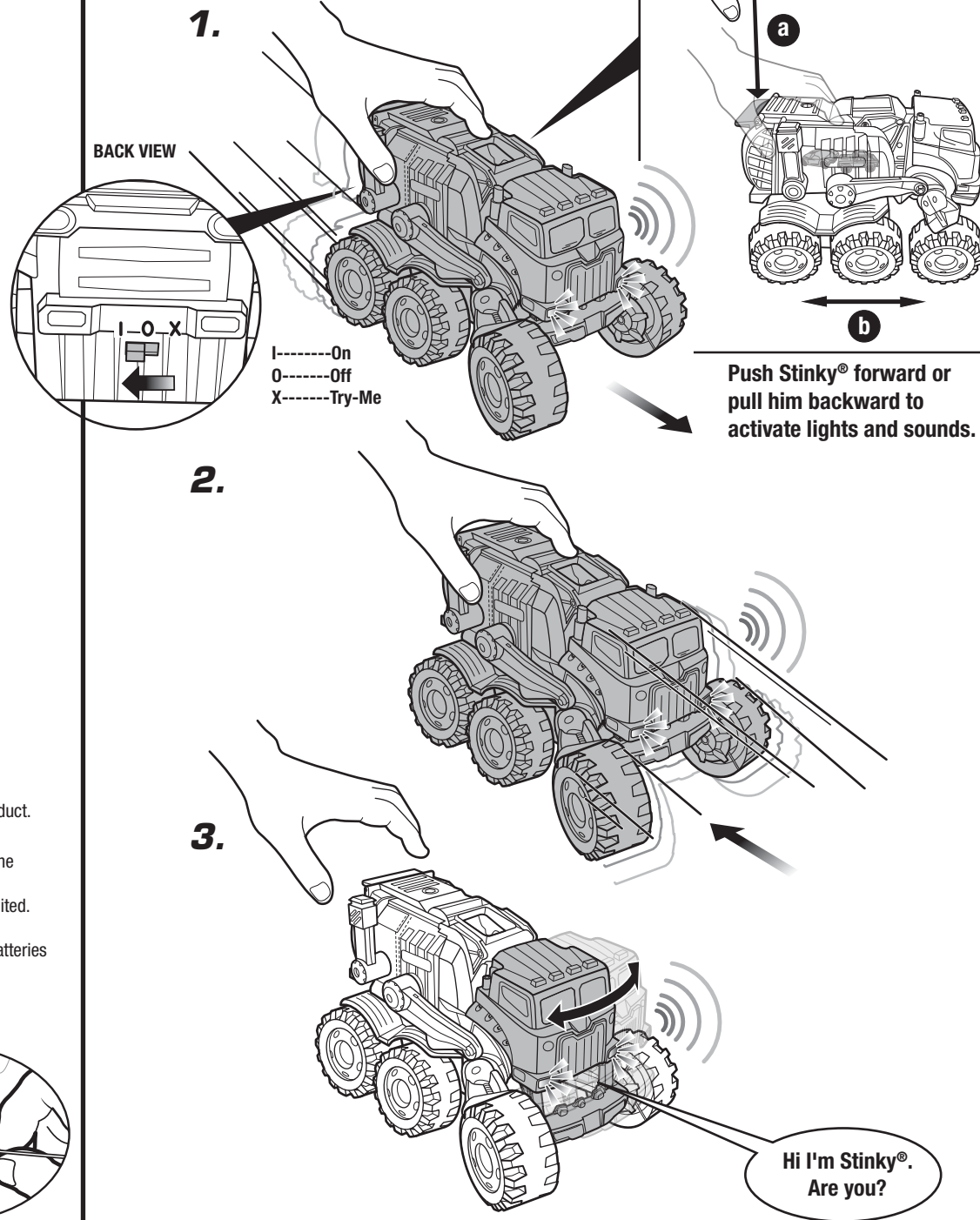
- Non-rechargeable batteries are not to be recharged.
- Rechargeable batteries are to be removed from the product before being charged.
- Rechargeable batteries are only to be charged under adult supervision.
- Do not mix alkaline, standard (carbon-zinc), or rechargeable (nickel-cadmium) batteries.
- Do not mix old and new batteries.
- Only batteries of the same or equivalent type as recommended are to be used.
- Batteries are to be inserted with the correct polarity.
- Exhausted batteries are to be removed from the product.
- The supply terminals are not to be short-circuited.
- Dispose of battery(ies) safely.
- Do not dispose of this product in a fire. The batteries inside may explode or leak.



Protect the environment by not disposing of this product with household waste (2012/19/EU). Check your local authority for recycling advice and facilities.



# PUSH / PULL MODE



1.

BACK VIEW

2.

3.

SIDE VIEW

a

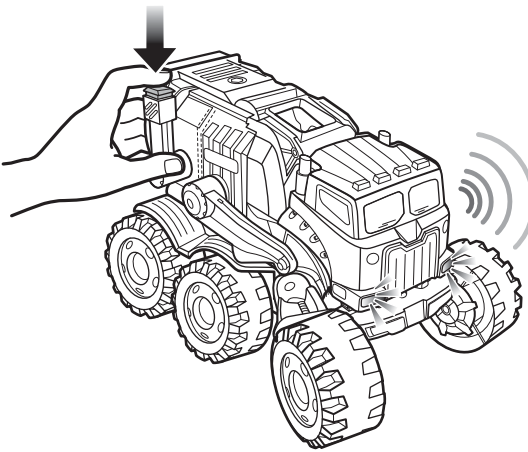
b

Push Stinky® forward or pull him backward to activate lights and sounds.

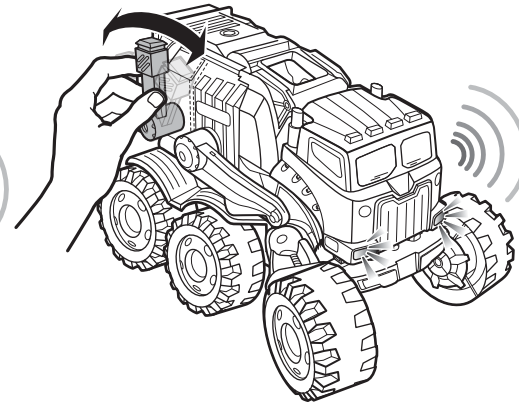
Hi I'm Stinky®. Are you?

## SPEAKING MODE

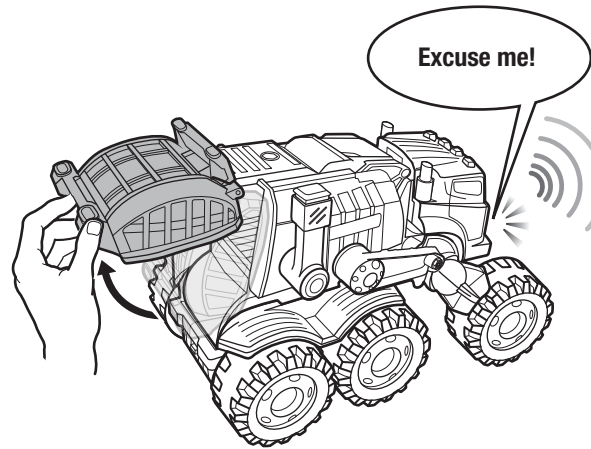
1. Press the smokestack repeatedly to hear his different phrases.



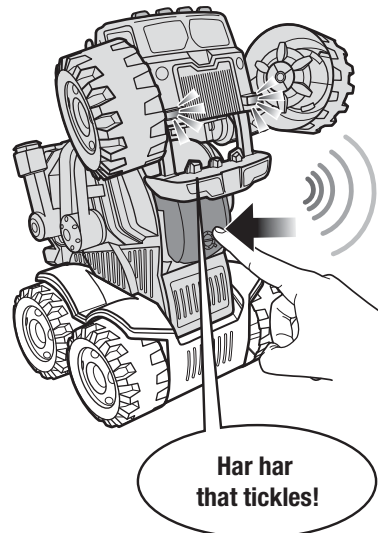
2. Pull the smokestack for more phrases.



3. Stinky® also responds when you open the rear door or press his belly button.

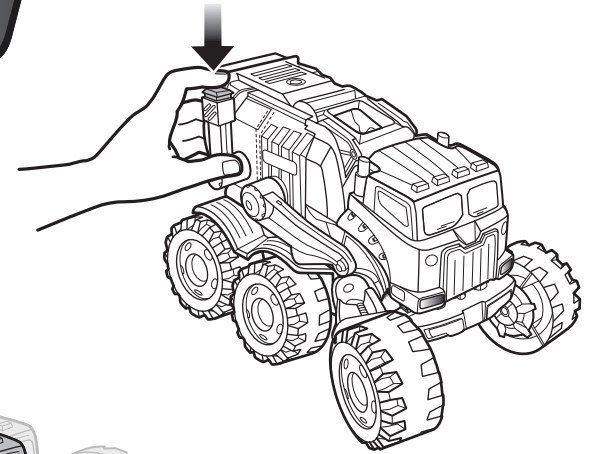


- 4.

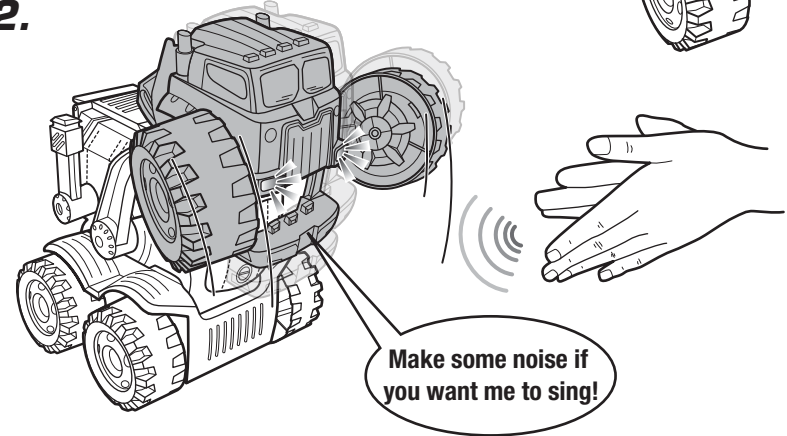


## SINGING MODE

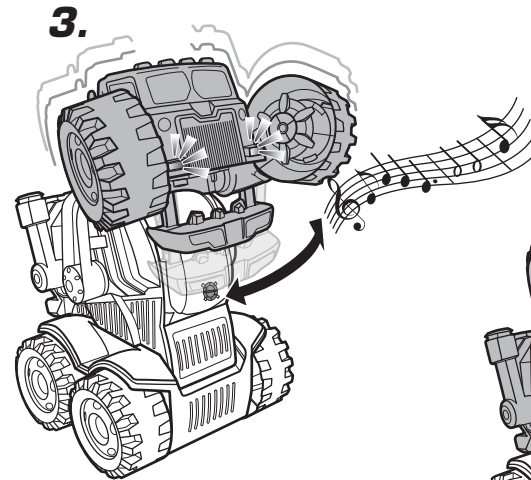
1. Push the smokestack repeatedly till you hear Stinky® say "Make some noise if you want me to sing!"



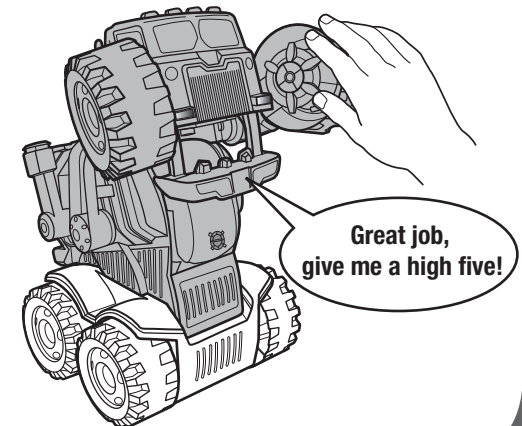
- 2.



- 3.



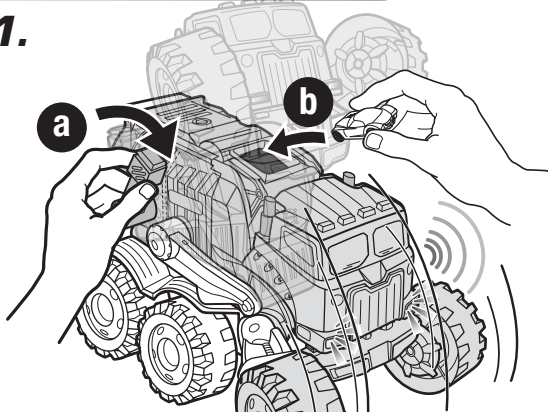
- 4.



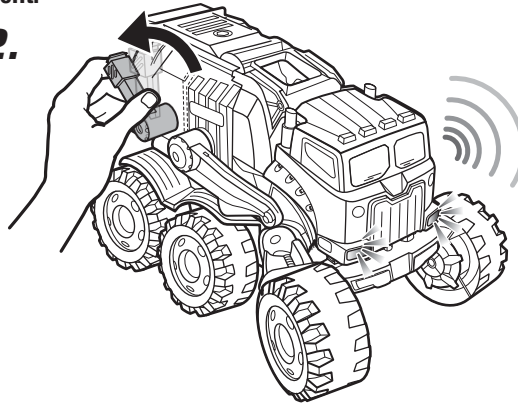
# LOADING, EATING & DUMPING MODE

Place something into his trash compartment.

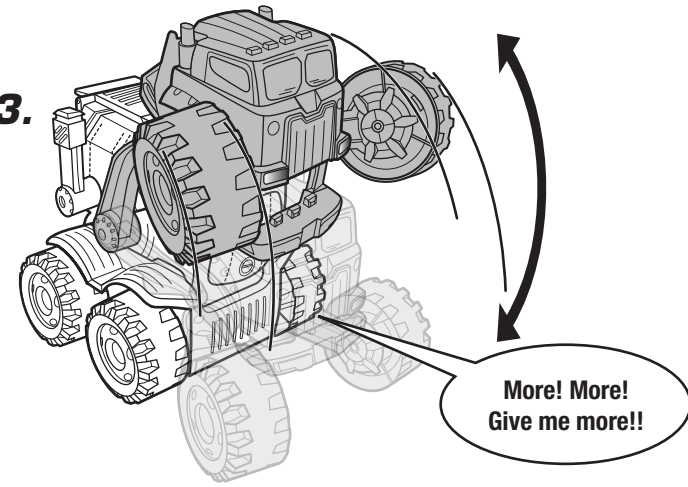
1.



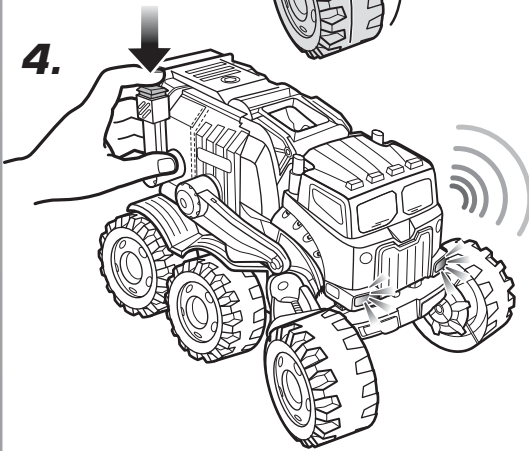
2.



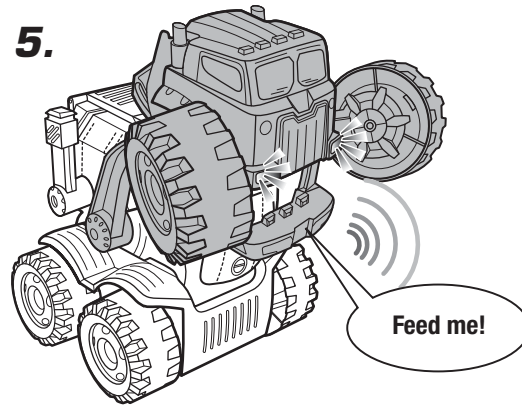
3.



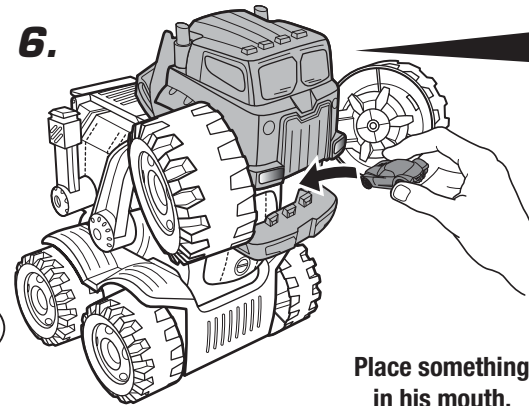
4.



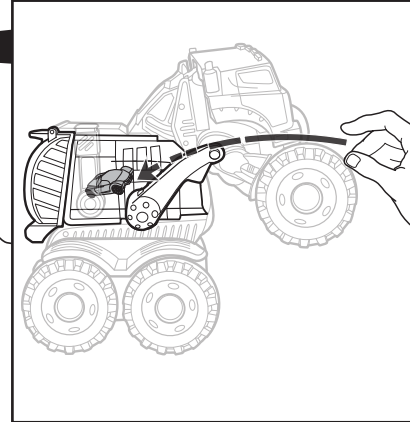
5.



6.

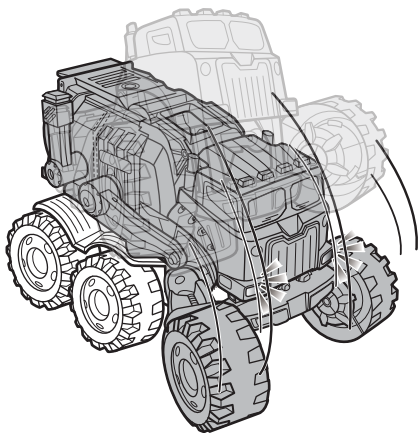


SIDE VIEW

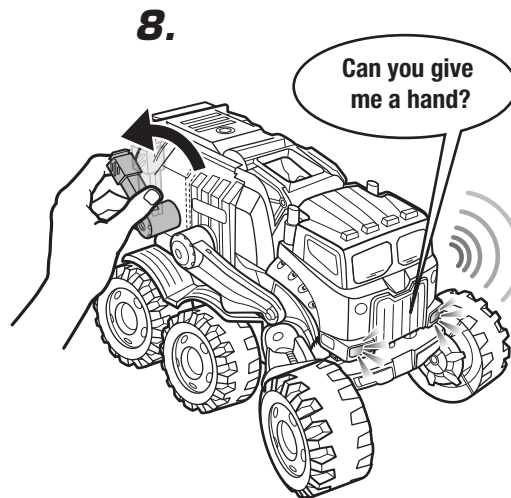


Place something in his mouth.

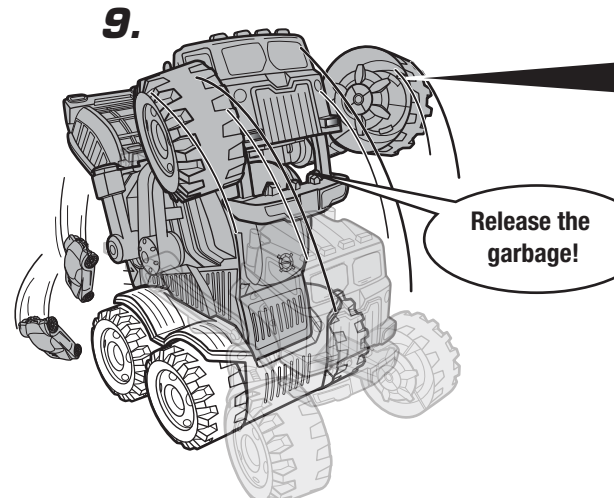
7.



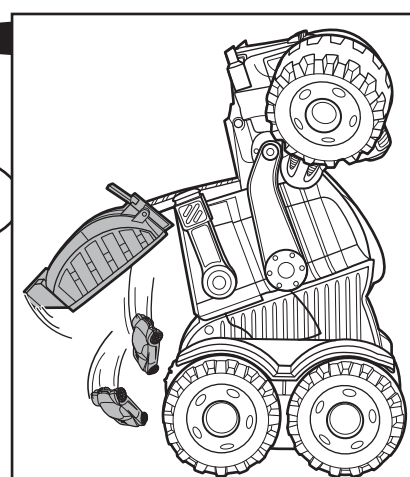
8.



9.

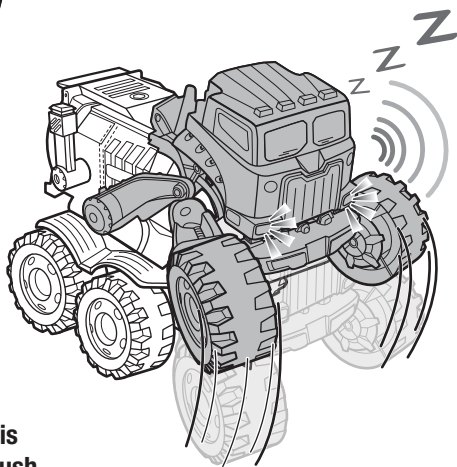


SIDE VIEW

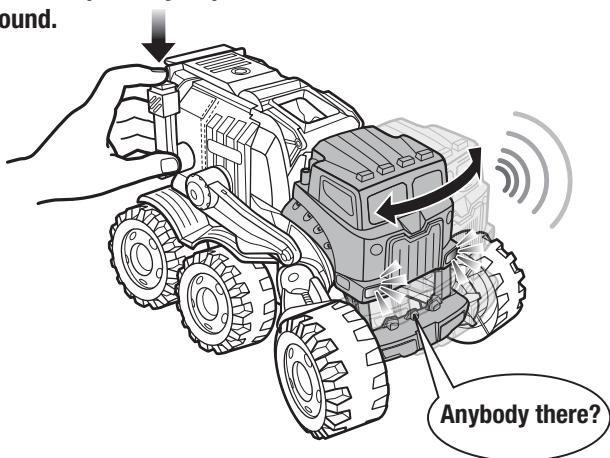


## SLEEP / WAKE MODE

1. If you leave Stinky® alone for too long, he will fall asleep.



2. To wake Stinky® up, press his smokestack repeatedly or push him around.



- 3.

