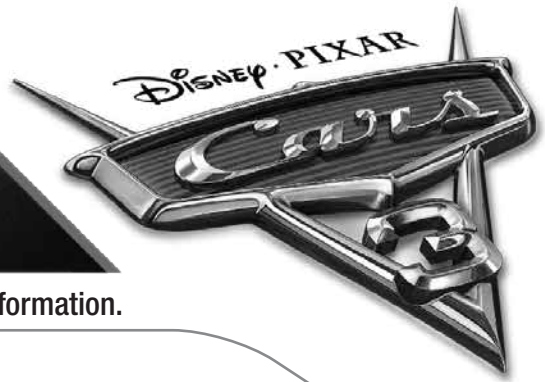


# SMASH & CRASH DERBY PLAYSET

## INSTRUCTIONS

4+

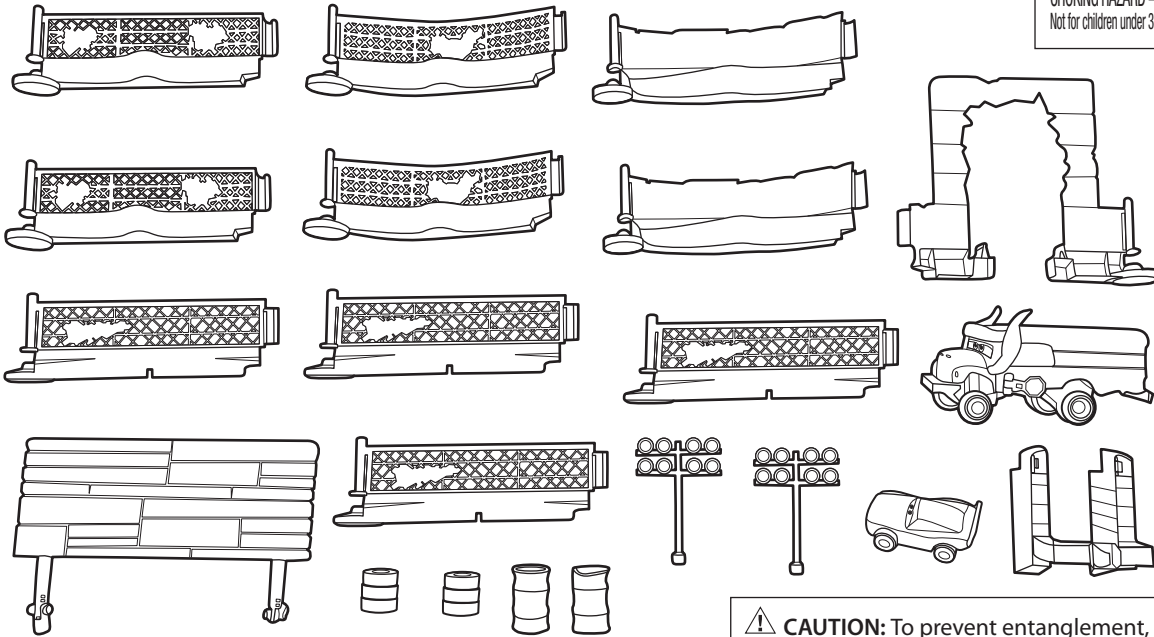


Please keep these instructions for future reference as they contain important information.

# CONTENTS

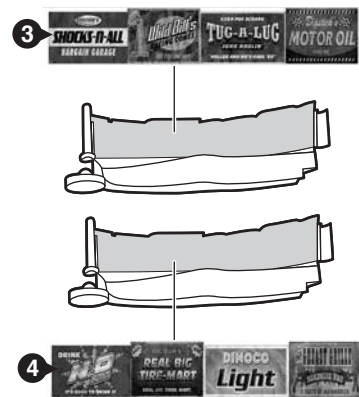
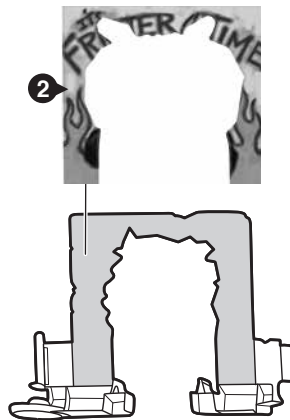
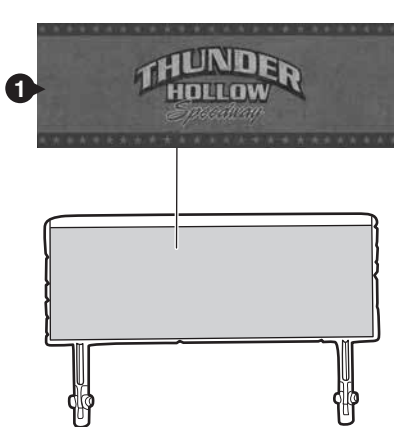
ADULT ASSEMBLY REQUIRED

**WARNING:**  
CHOKING HAZARD - Small parts.  
Not for children under 3 years.



**CAUTION:** To prevent entanglement, keep hair away from wheels.

# 1 APPLY LABELS

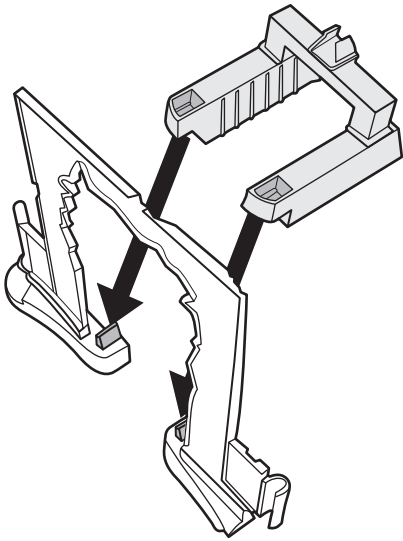


©2016 Mattel. All Rights Reserved. ® and ™ designate U.S. trademarks of Mattel, except as noted. Mattel, Inc., 636 Girard Avenue, East Aurora, NY 14052, U.S.A. Consumer Relations 1-800-524-8697. Mattel U.K. Ltd., Vanwall Business Park, Maidenhead SL6 4UB. Helpline 01628 500303. Mattel Australia Pty., Ltd., Richmond, Victoria. 3121. Consumer Advisory Service - 1300 135 312. Mattel East Asia Ltd., Room 503-09, North Tower, World Finance Centre, Harbour City, Tsimshatsui, HK, China. Diimport & Diedarkan Oleh: Mattel Southeast Asia Pte. Ltd., No 19-1, Tower 3 Avenue 7, Bangsar South City, No 8, Jalan Kerinchi, 59200 Kuala Lumpur, Malaysia. Tel: 03-78803817, Fax: 03-78803867.

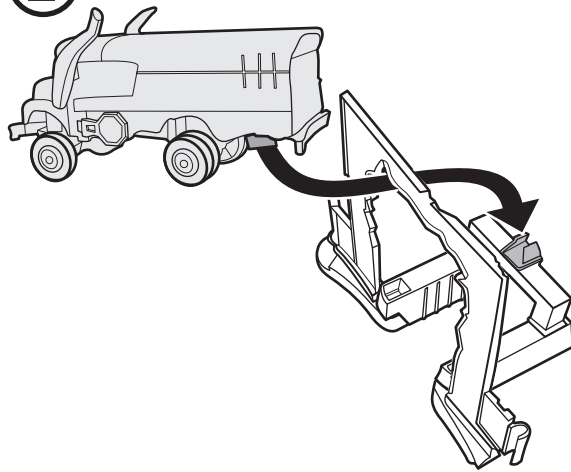


# 2 ASSEMBLY

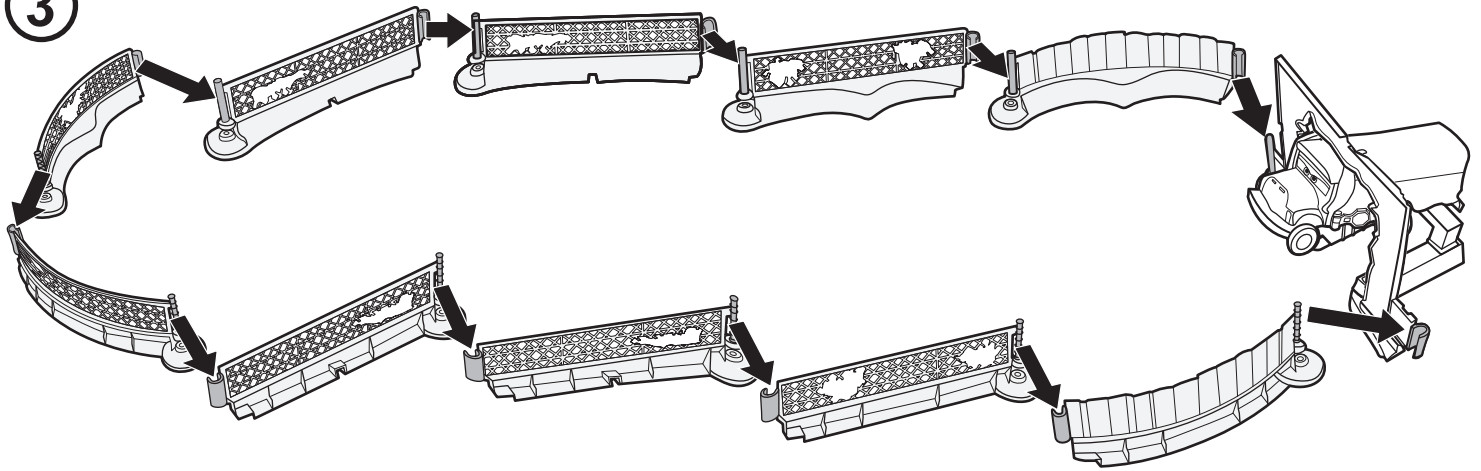
1



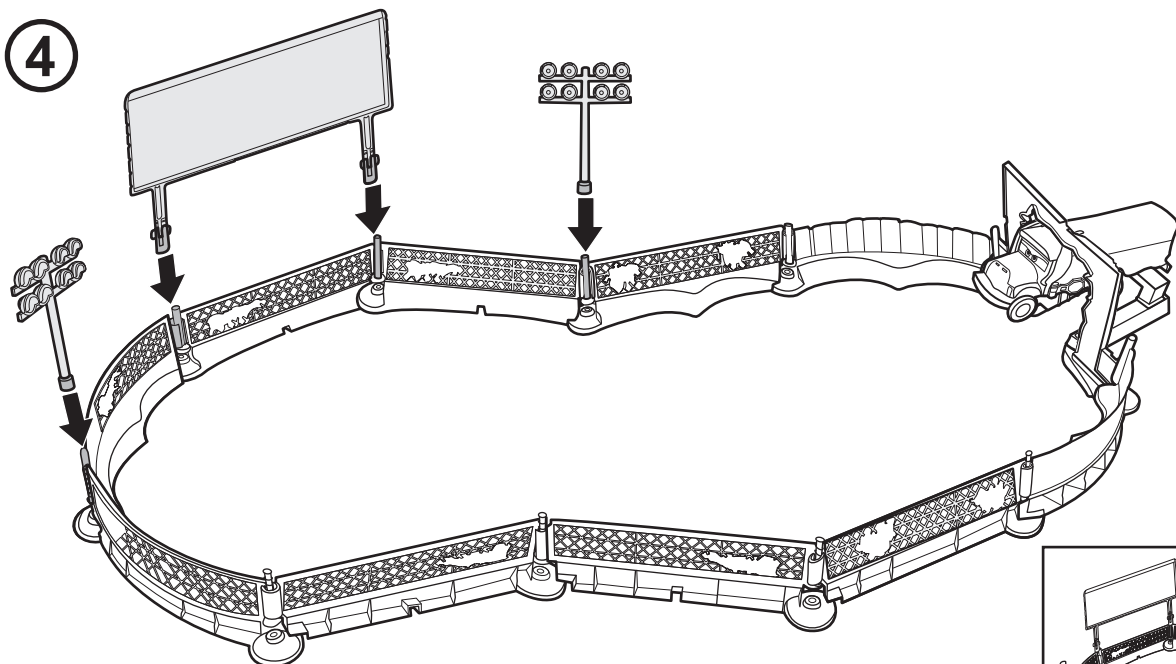
2



3



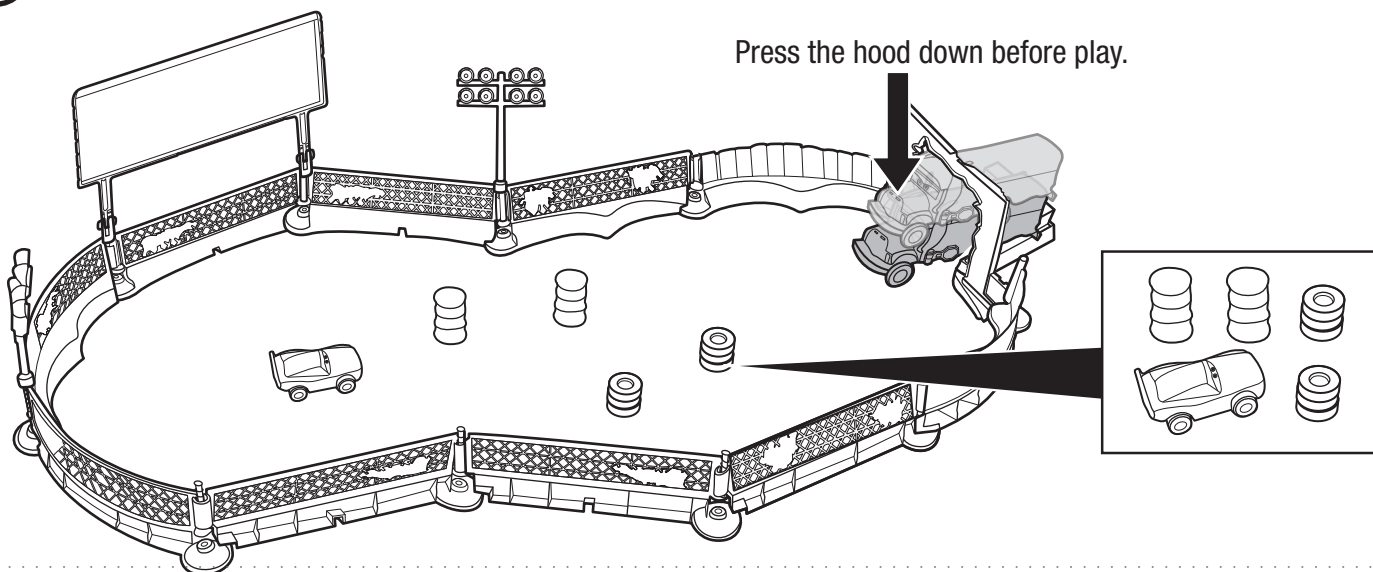
4



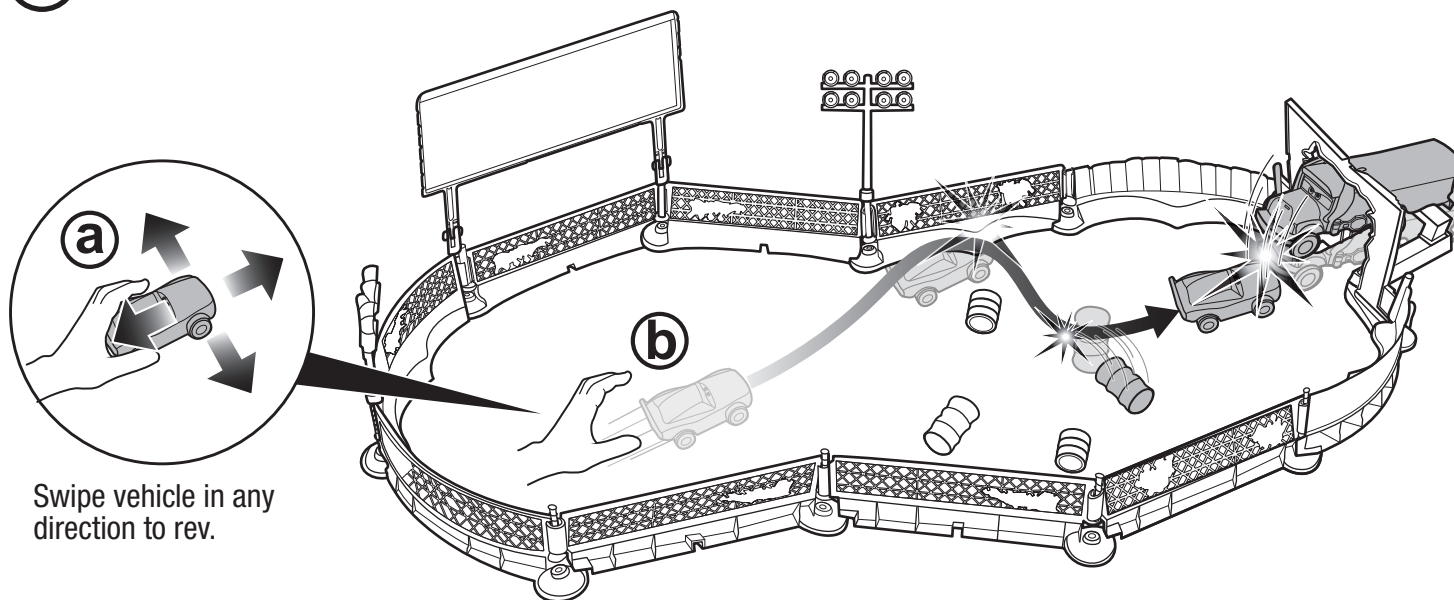
# 3

# TO PLAY: GATE ESCAPE

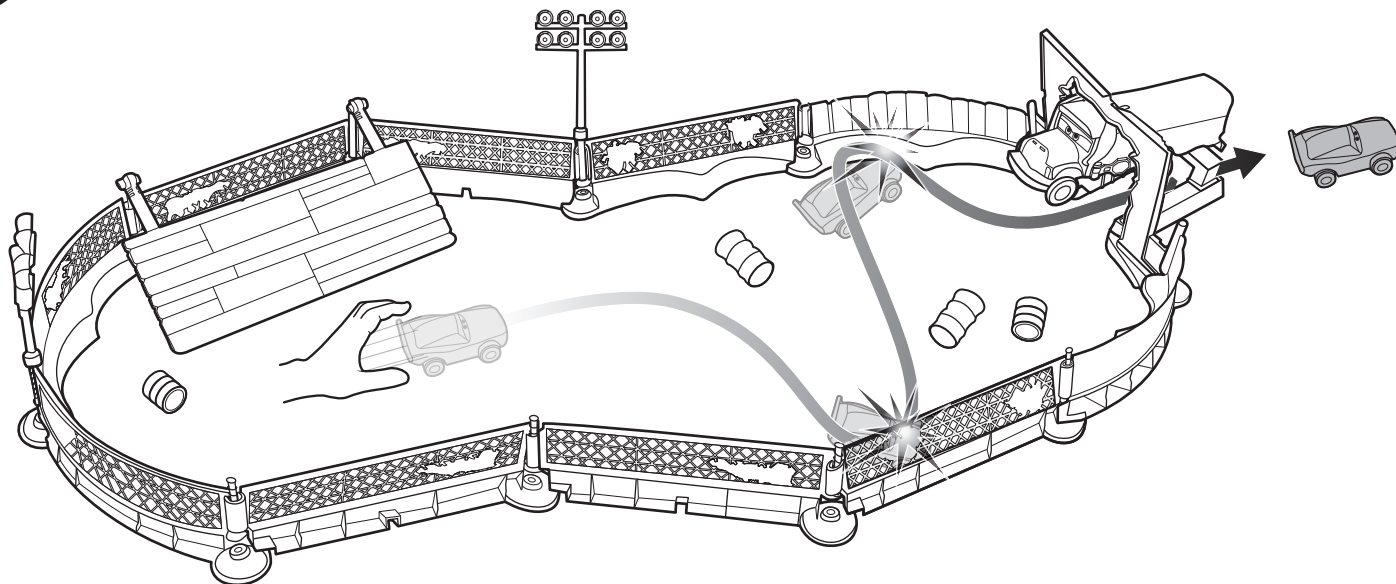
- 1 Place a Crazy 8 Crashers vehicle and accessories inside the course.



- 2 Launch and crash around the course! Try to knock out Miss Fritter!

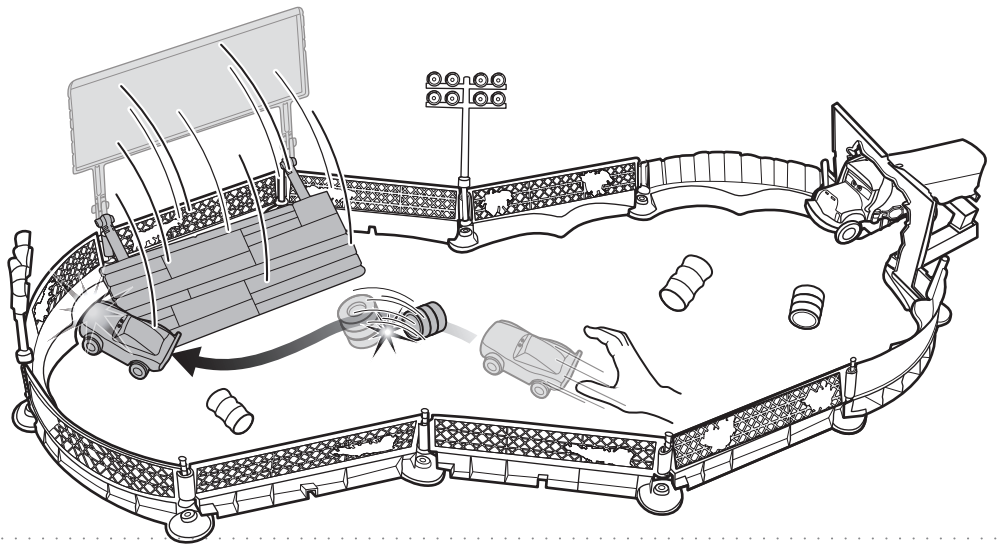


- 3 Launch again and try to make your way through the gate!

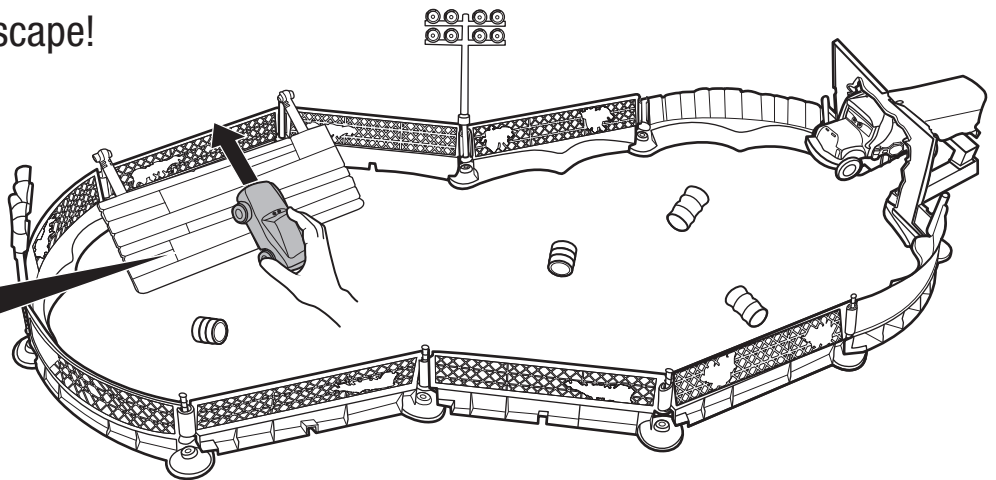
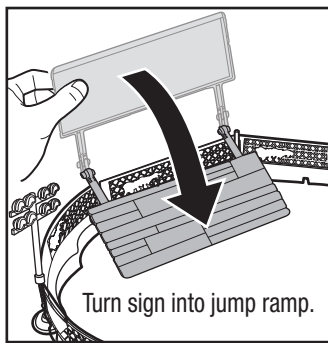


## 4 TO PLAY: RAMP ESCAPE

- 1 Be careful! Sign might collapse if you hit the barricades.

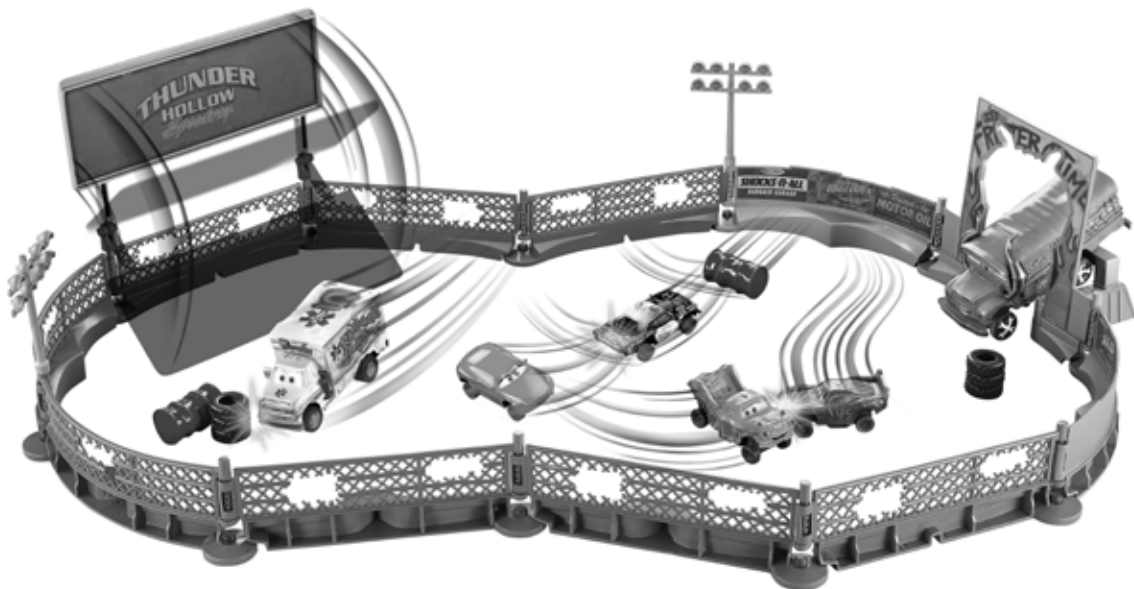


- 2 Push up the ramp and escape!



## 5 MORE WAYS TO PLAY

Add more Crazy 8 Crashers vehicles, and host your own demolition derby night!



Two vehicles included. Additional vehicles sold separately, subject to availability.  
Not for use with some Cars vehicles.