

**Fisher-Price®**

DYH06  
73386  
BMM11



**Beginner**  
with Beginner Base

**Pro**  
with Pro Base

Keep this instruction sheet for future reference, as it contains important information.

Adult assembly is required to remove/replace the beginner base.

Tool needed to remove/replace beginner base: Phillips screwdriver (not included).

Tighten and loosen all screws with a Phillips screwdriver. Do not over-tighten.

Ages 5+, Weight Limit: 60 lbs (27 kg).

Protective equipment shown in these photos is not included.



**WARNING**

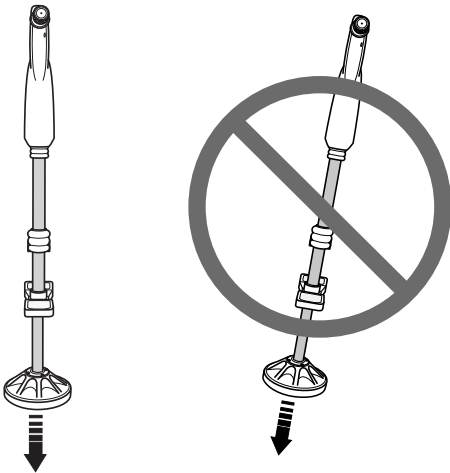
**To prevent injury:** Always wear protective equipment including helmet, wrist guards, knee pads and elbow pads (not included).  
Always wear shoes.

**fisher-price.com**

# Safety Information

**IMPORTANT!** Please take a few moments to review the following safety tips with your child.

- Your child should wear a helmet, wrist guards, knee pads and elbow pads to guard against bumps and bruises.
- Your child should wear shoes or sneakers that provide good support.
- Adult supervision is required.
- Never use near steps.
- Choose areas for use that are free of obstacles.
- Never use the pogo stick on grass, soft, sandy, wet or uneven surfaces.
- Use with caution as this product requires skill to operate safely to avoid falls, collisions, and injuries to yourself (the rider) and others.
- Never use the pogo stick without the beginner bumper base or pro bumper base.

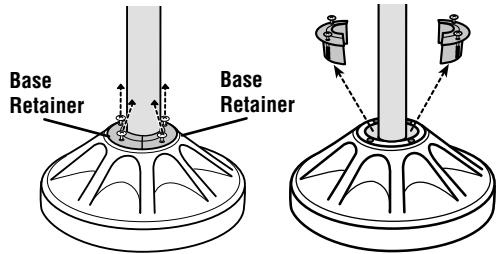


- **Always** bounce on the pogo stick in a vertical position.

**IMPORTANT! NEVER** bounce on the pogo stick at an angle. You will not be able to balance properly on the pogo stick.

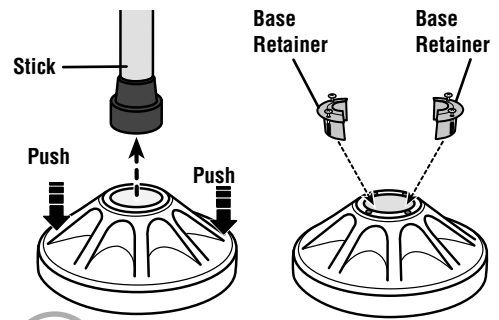
# Beginner to Pro!

When your child's ready to bounce like a pro, remove the beginner base. Store the beginner base in a safe place for future use.



1

- Loosen all four screws in the base retainers. The screws will remain in the base retainers.
- Lift to remove the base retainers from the beginner base.

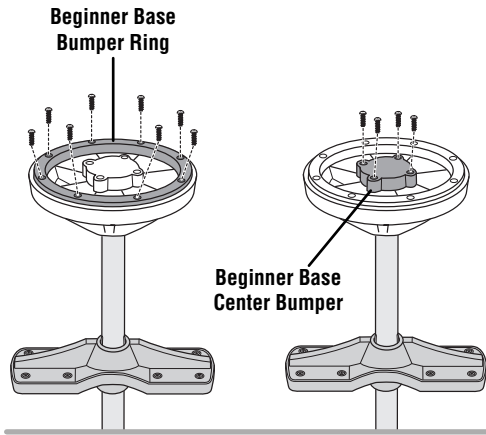


2

- While pushing down on the beginner base, lift to remove the stick.
- Replace the base retainers into the beginner base and tighten the screws.

# Replacing Parts

Some parts may be replaceable and available for purchase.  
Go to [service.fisher-price.com](http://service.fisher-price.com) or call 1-800-432-5437.  
Refer to these instructions to replace these parts.

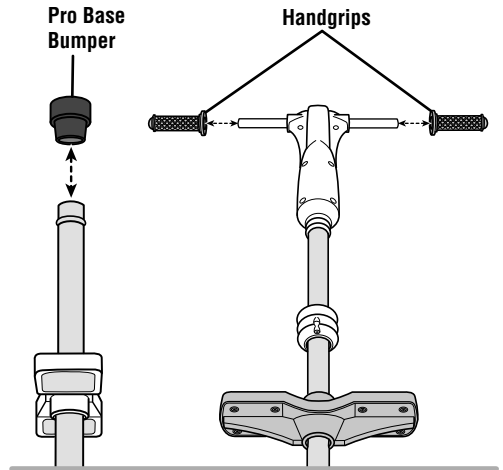


## Beginner Base Bumper Ring

- Loosen and remove the screws in the beginner base bumper ring. Remove and discard the worn beginner base bumper ring.
- Replace the beginner base bumper ring with a new, Fisher-Price® bumper ring. Replace the eight screws into the bumper ring and tighten.

## Beginner Base Center Bumper

- Loosen and remove the screws in the beginner base center bumper. Remove and discard the worn beginner base center bumper.
- Replace the beginner base center bumper with a new, Fisher-Price® center bumper. Replace the four screws into the bumper and tighten.



## Pro Base Bumper

- Pull to remove the pro base bumper from the end of the stick and discard.
- Push to fit the new, Fisher-Price® pro base bumper onto the end of the stick.

## Hand Grips

- Pull to remove the hand grips from the handlebar and discard.
- Push to fit the new, Fisher-Price® hand grips onto the handlebar.

# Consumer Information



## CONSUMER ASSISTANCE

1-800-432-5437 (US & Canada)  
1300 135 312 (Australia)

[service.fisher-price.com](http://service.fisher-price.com)

Fisher-Price, Inc., 636 Girard Avenue, East Aurora, NY 14052.  
Hearing-impaired consumers: 1-800-382-7470.

### Outside the United States:

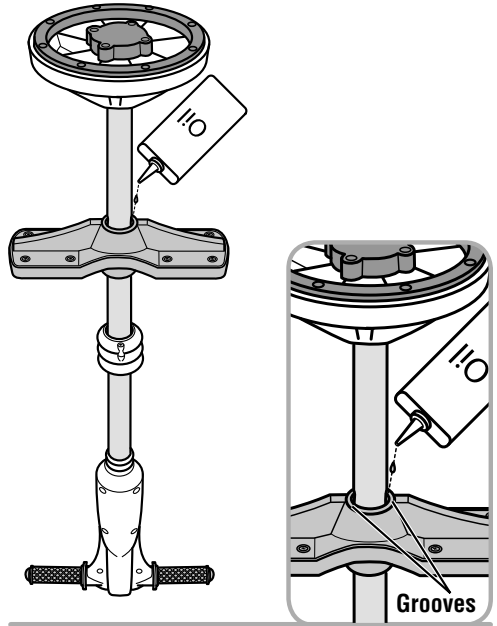
Canada: Mattel Canada Inc., 6155 Freemont Blvd.,  
Mississauga, Ontario L5R 3W2; [www.service.mattel.com](http://www.service.mattel.com).

Great Britain: Mattel UK Ltd, Vanwall Business Park,  
Maidenhead SL6 4UB. Helpline: 01628 500303.  
[www.service.mattel.com/uk](http://www.service.mattel.com/uk)

Mattel Europa B.V., Gondel 1, 1186 MJ Amstelveen, Nederland.

Australia: Mattel Australia Pty. Ltd., 658 Church Street,  
Locked Bag #870, Richmond, Victoria 3121 Australia.

New Zealand: 16-18 William Pickering Drive,  
Albany 1331, Auckland.



## Care

- The pogo stick has been lubricated at the factory. For best performance, we recommend that you periodically lubricate the pogo stick.
- Turn the pogo stick upside-down. Apply a few drops of oil into the grooves in the foot pegs.
- Periodically inspect this product for wear or damage. Check all nuts and bolts, and tighten as needed. Replace worn or broken parts immediately. Please contact Fisher-Price® to see if the part is replaceable.
- To clean the base, foot pegs and handlebar, use a mild soap and water solution and clean cloth. Rinse clean with water to remove soap residue.
- Do not wash the stick portion of this toy.