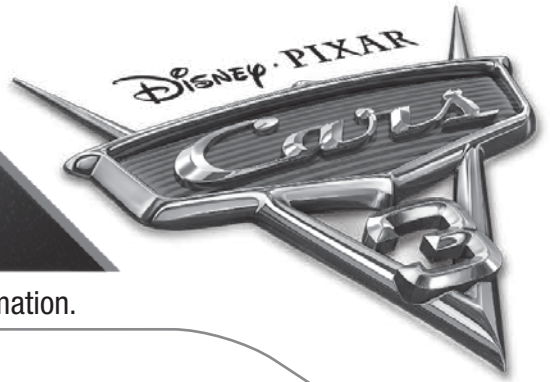


# FLO'S V8 CAFE DRAGSTRIP PLAYSET

## INSTRUCTIONS

4+



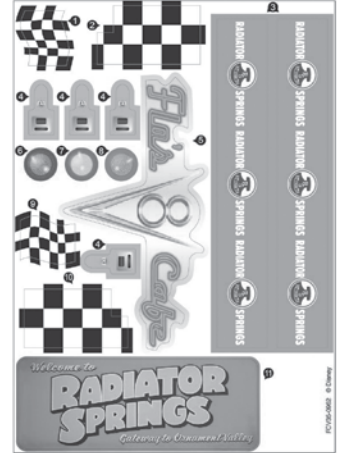
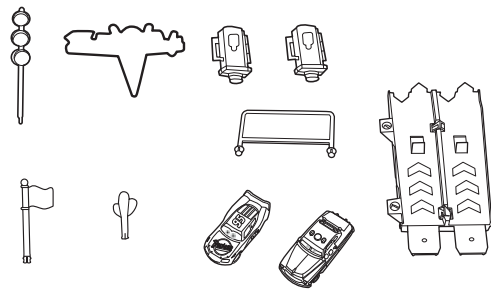
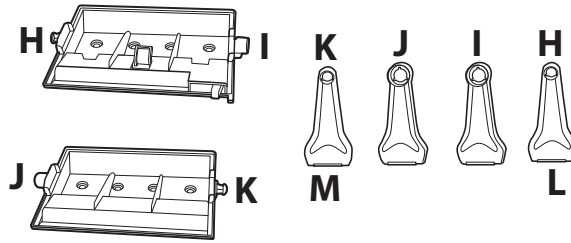
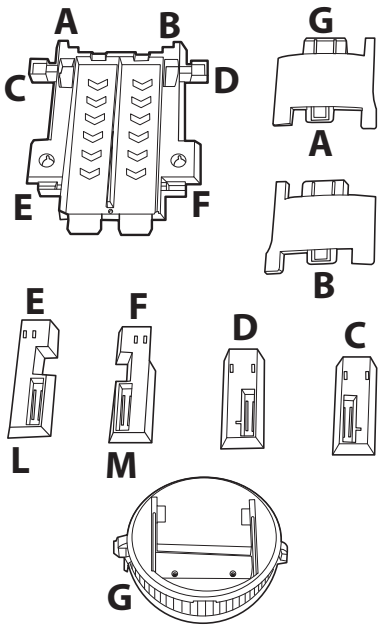
Please keep these instructions for future reference as they contain important information.

## CONTENTS

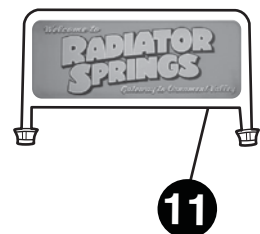
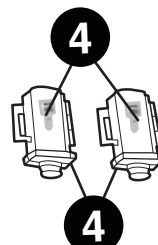
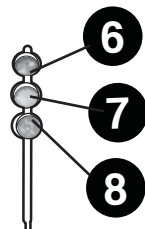
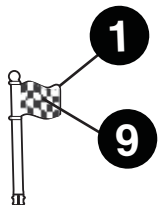
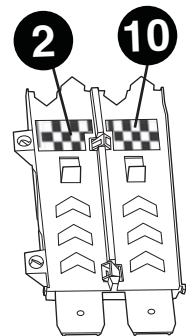
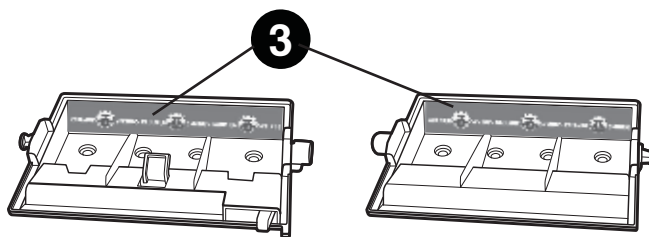
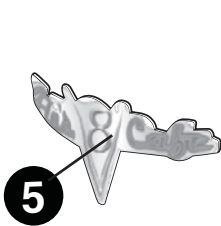


REFER TO LETTERS MOLDED ON TOY PARTS AND THROUGHOUT THE INSTRUCTIONS TO HELP WITH ASSEMBLY.

**WARNING:**  
CHOKING HAZARD - Small parts.  
Not for children under 3 years.

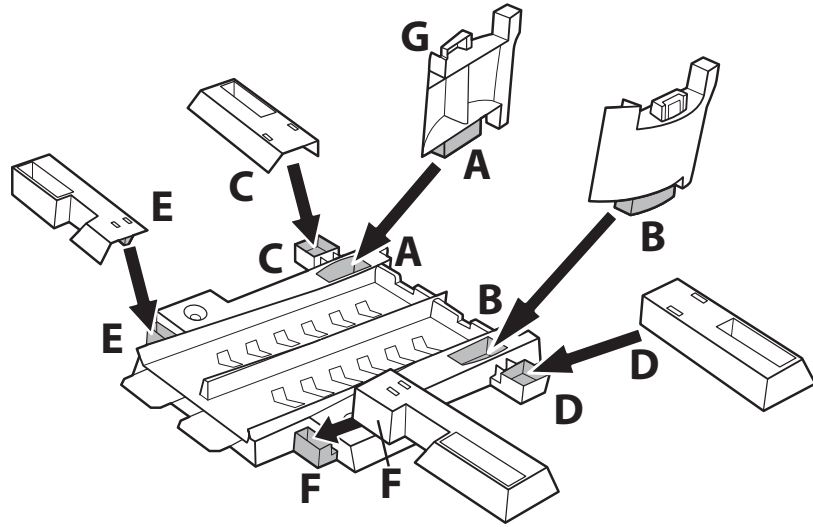


## 1 APPLY LABELS



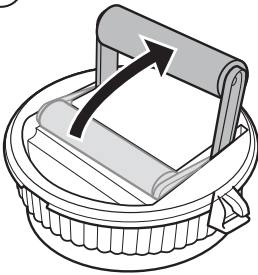
# 2 ASSEMBLY

1

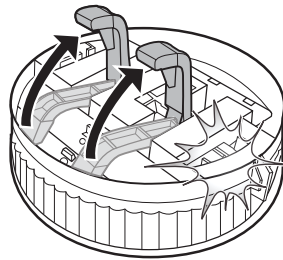


2

a

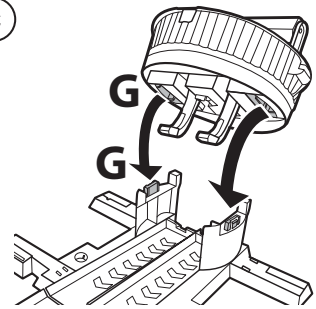


b BOTTOM VIEW

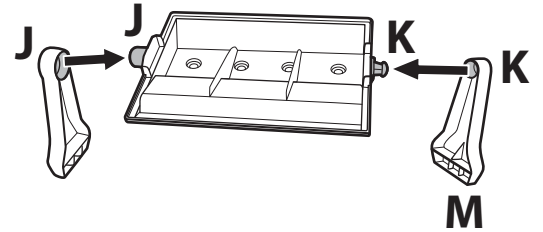
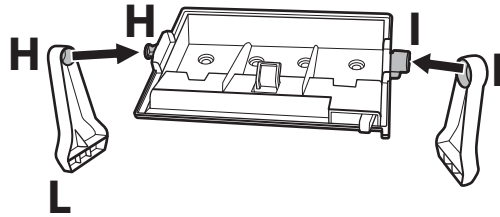


Click!

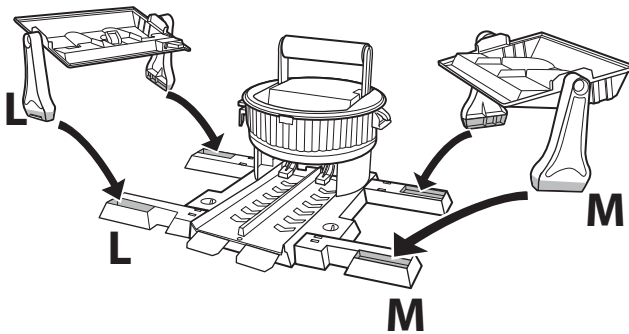
c



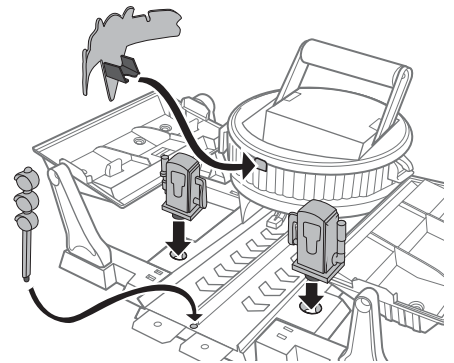
3



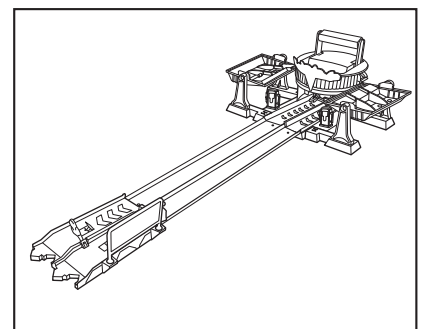
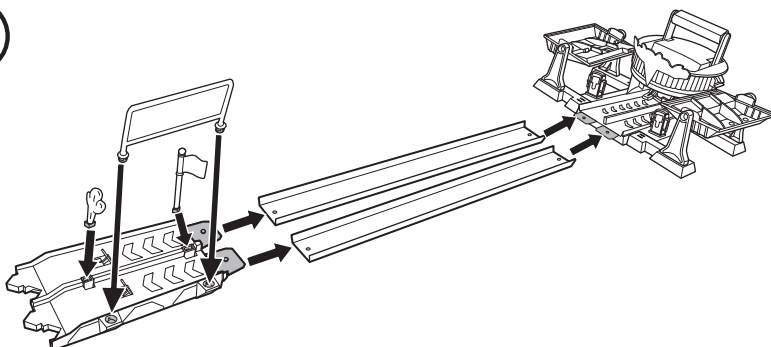
4



5

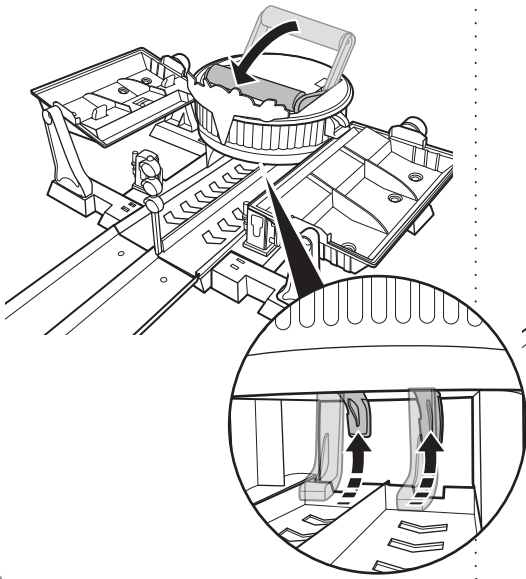


6

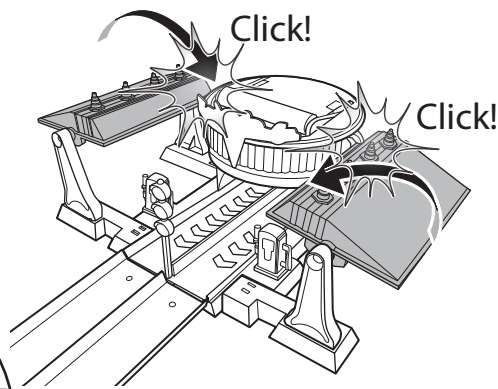


# 3 GET READY TO PLAY

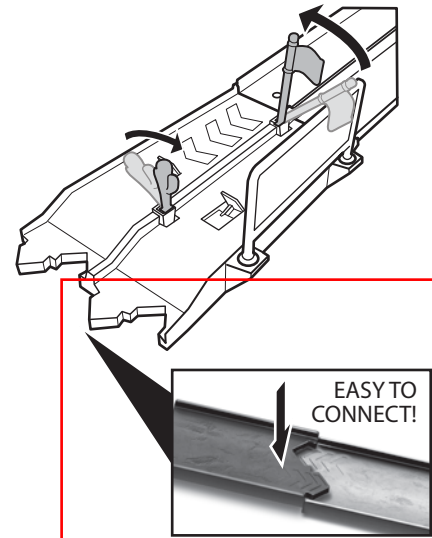
1 Push handle down to set launchers.



2 Rotate and lock grandstands.

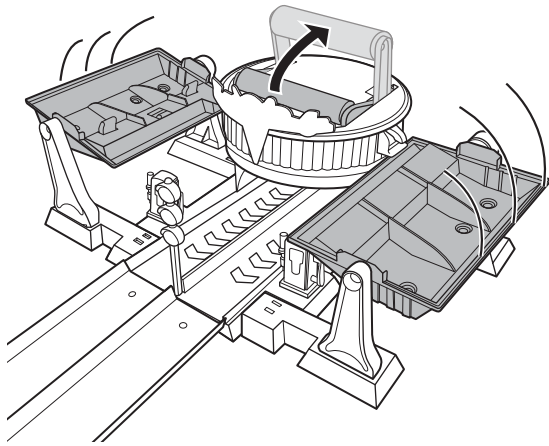


3 Center the flag and cactus.

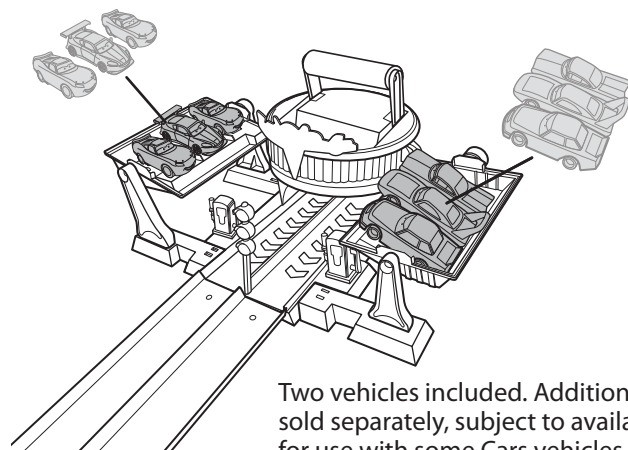


# 4 TO PLAY

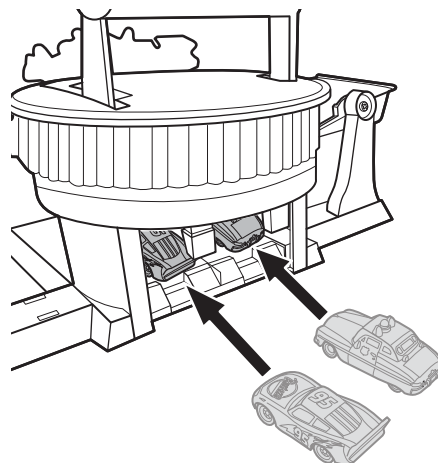
1 Lift handle to reveal grandstands.



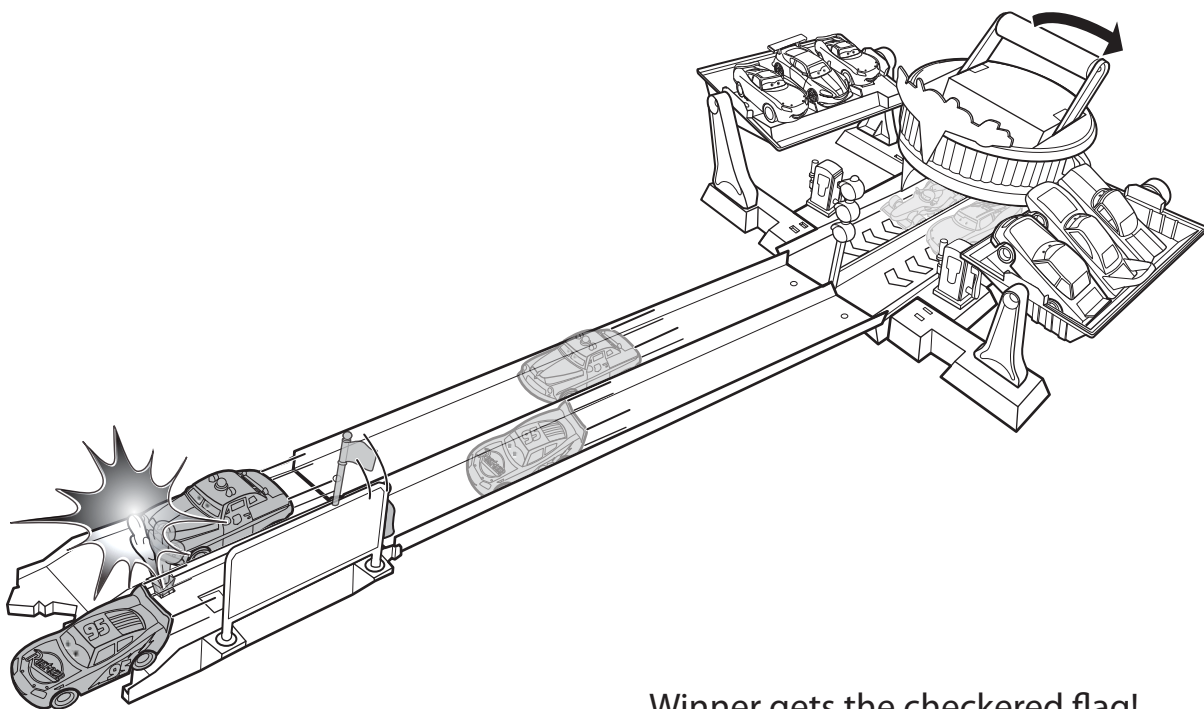
2 Load stands with additional vehicles (not included)!



3 Load 2 vehicles for the race.

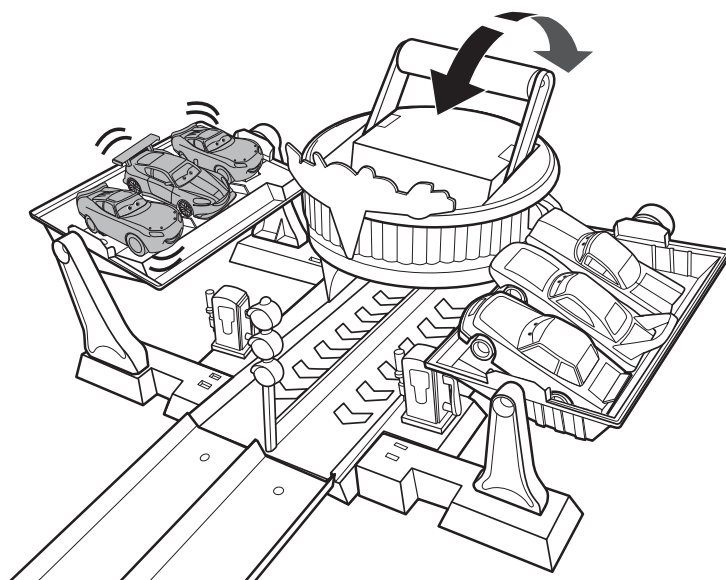


- 4 Shift handle all the way back to race.



Winner gets the checkered flag!  
Loser gets the cactus!

- 5 Toggle handle forward and backward for “cheering” fans.  
Repeat GET READY TO PLAY to race again!



©2016 Mattel. All Rights Reserved. ® and ™ designate U.S. trademarks of Mattel, except as noted.  
Mattel, Inc., 636 Girard Avenue, East Aurora, NY 14052, U.S.A. Consumer Relations 1-800-524-8697. Mattel U.K. Ltd., Vanwall Business Park, Maidenhead SL6 4UB. Helpline 01628 500303. Mattel Australia Pty., Ltd., Richmond, Victoria. 3121. Consumer Advisory Service - 1300 135 312. Mattel East Asia Ltd., Room 503-09, North Tower, World Finance Centre, Harbour City, Tsimshatsui, HK, China. Diimport & Diedarkan Oleh: Mattel Southeast Asia Pte. Ltd., No 19-1, Tower 3 Avenue 7, Bangsar South City, No 8, Jalan Kerinchi, 59200 Kuala Lumpur, Malaysia. Tel: 03-78803817, Fax: 03-78803867.