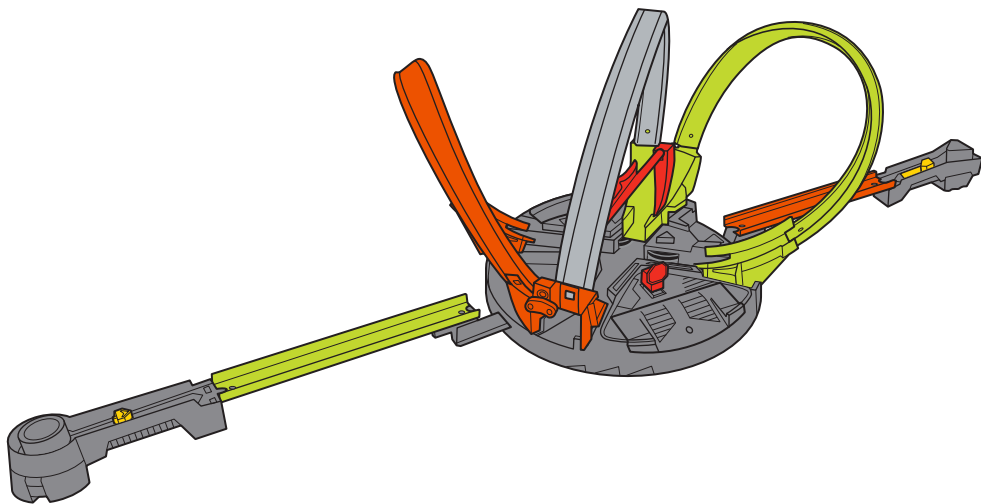


INSTRUCTIONS



ROTO REVOLUTION™



REQUIRES 4 "D" SIZE (LR20) ALKALINE BATTERIES (NOT INCLUDED).
DISPOSE OF BATTERIES SAFELY.

COLOR AND DECORATIONS MAY VARY.

5+

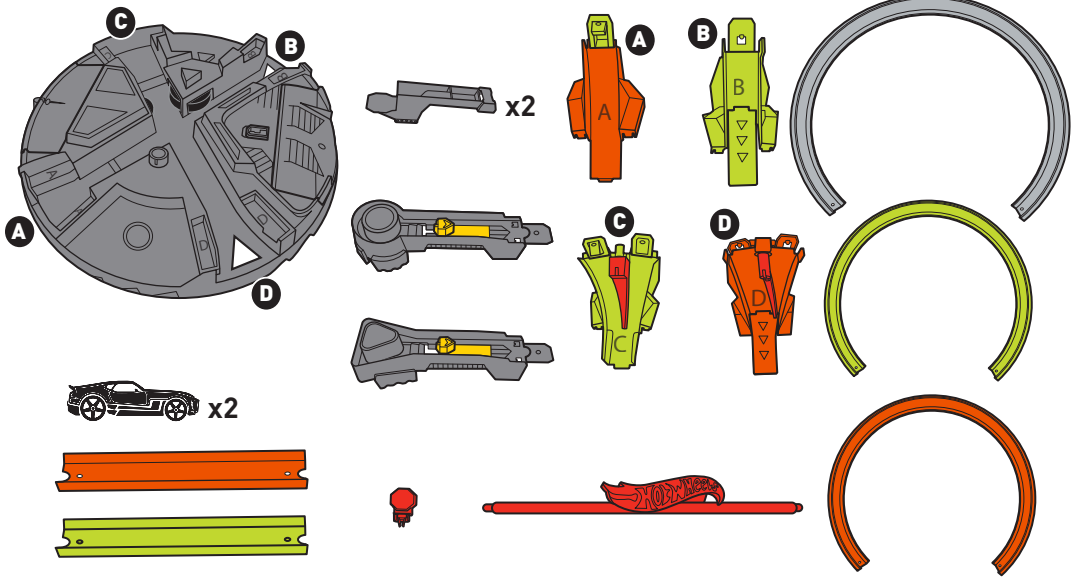
service.mattel.com
HOTWHEELS.COM



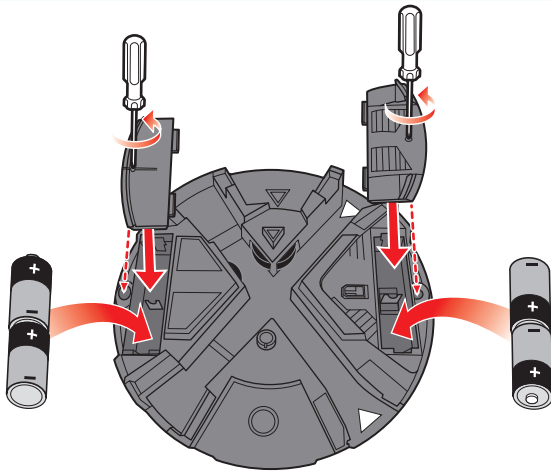
FDF26-0970
1101048514-DOM G1
FGT77-0970
1101429999-DOM G1

PLEASE KEEP THESE INSTRUCTIONS FOR FUTURE
REFERENCE AS THEY CONTAIN IMPORTANT INFORMATION.

CONTENTS



BATTERY INSTALLATION



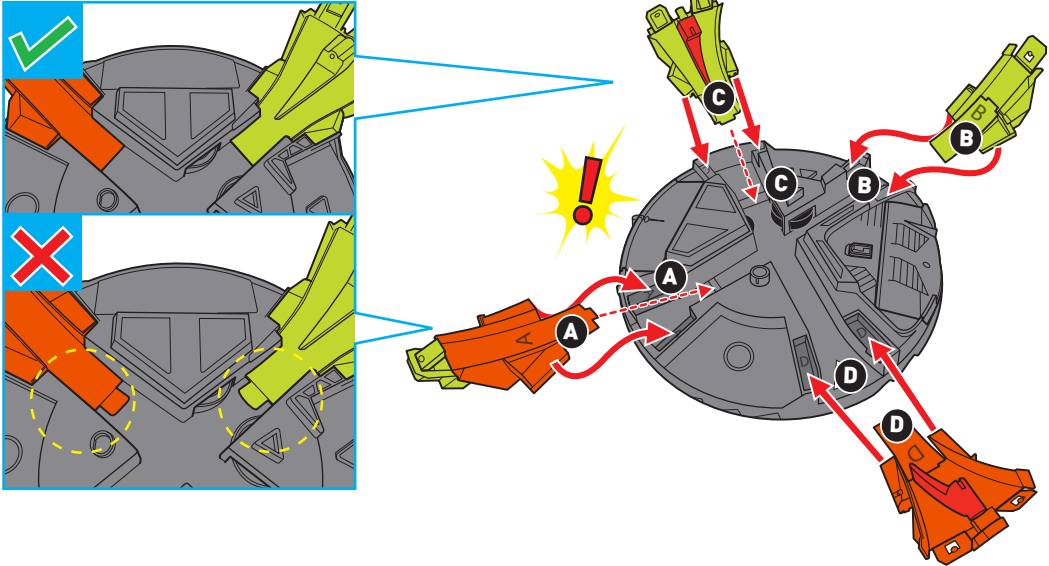
- Unscrew the battery cover with a Phillips head screwdriver (not included).
- Install 4 "D" size (LR20) alkaline batteries (not included) in the orientation (+/-) shown.
- Replace battery cover and tighten screws.
- For longer life use alkaline batteries.
- Replace the batteries if boosters can no longer propel vehicles through track set.
- When exposed to an electrostatic source, the product may malfunction. To resume normal operation, remove and re-install the batteries.

ASSEMBLY

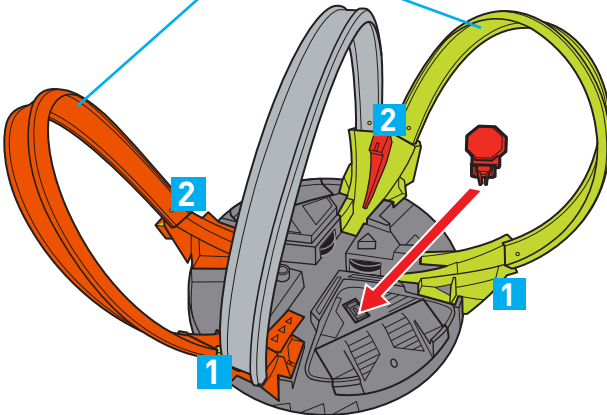
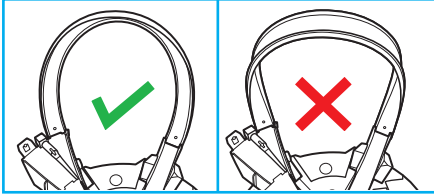


Refer to letter page to help

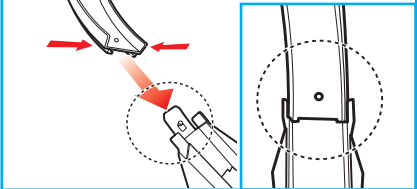
1. ATTACH EACH LOOP CONNECTOR PIECE TO BASE AS SHOWN.



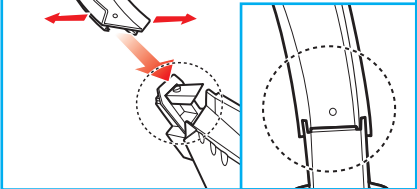
2.



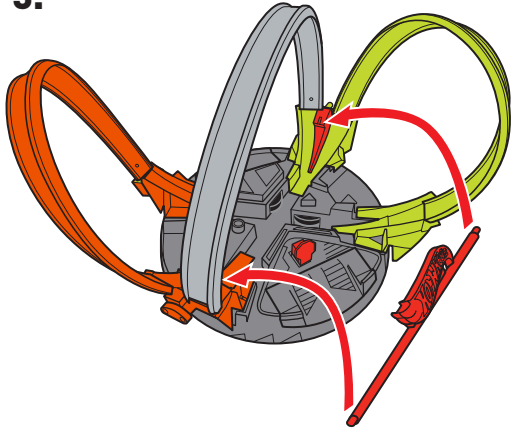
1 TRACK SHOULD GO **INSIDE** THE TABS AT LOCATIONS AS SHOWN.



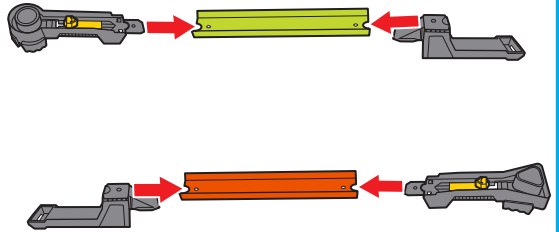
2 TRACK SHOULD GO **OUTSIDE** THE TABS AT LOCATIONS AS SHOWN.



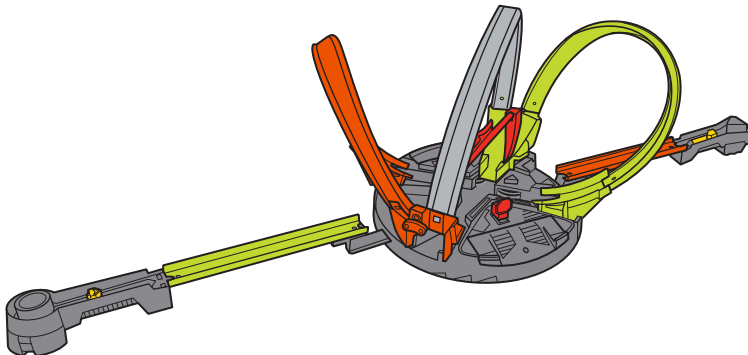
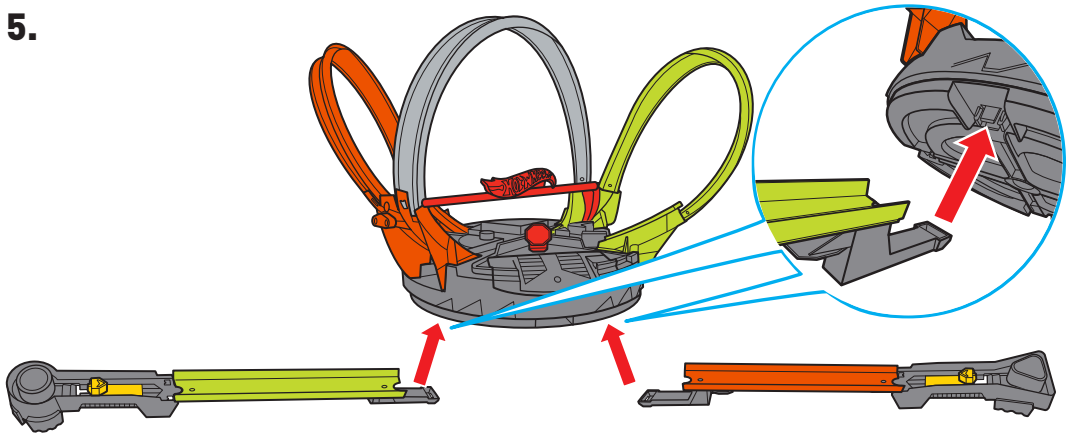
3.



4.

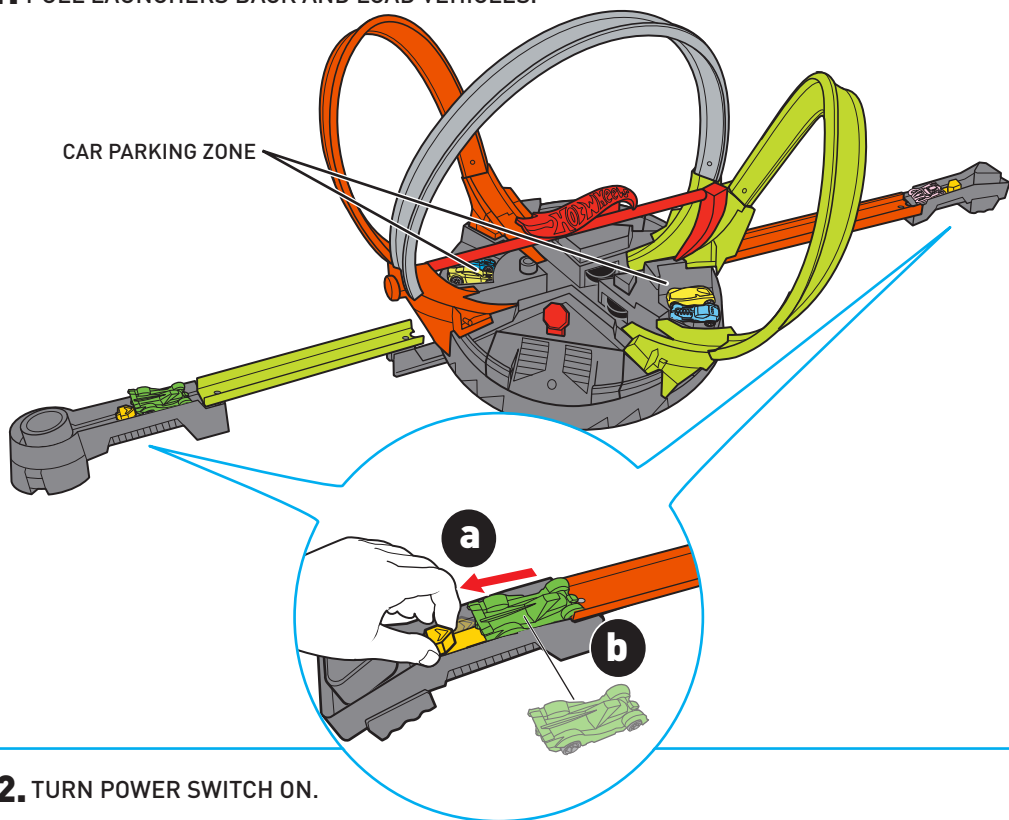


5.

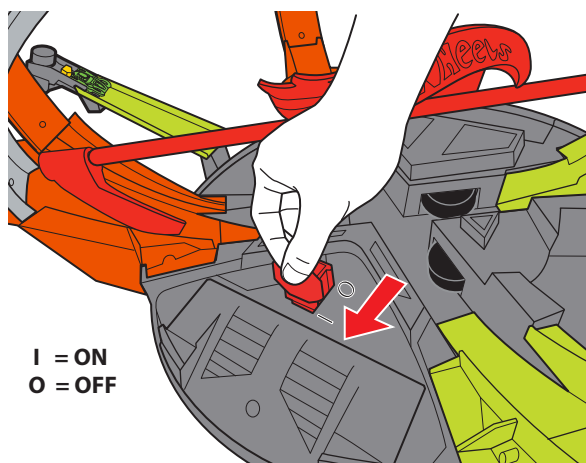


TO PLAY

1. PULL LAUNCHERS BACK AND LOAD VEHICLES.



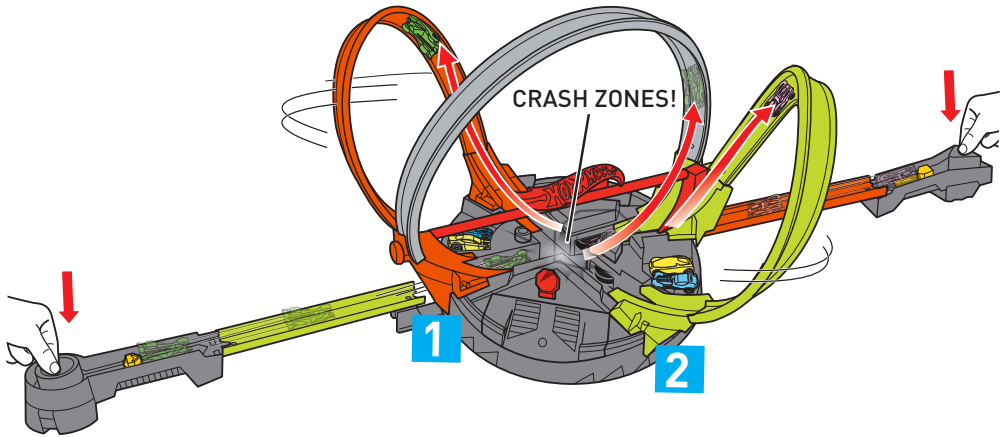
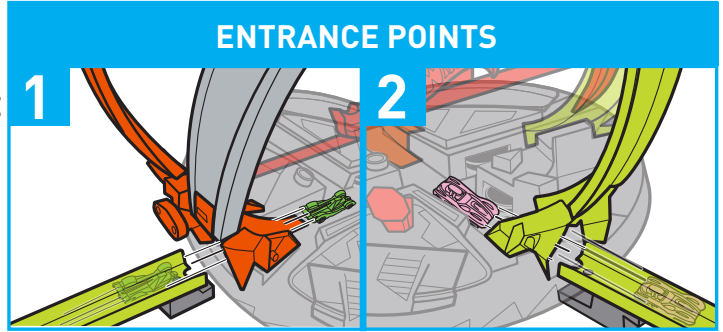
2. TURN POWER SWITCH ON.



TO PLAY (CONTD.)

- 3. TIME IT RIGHT! RACE ALONG THE LOOPS! LAUNCH MORE VEHICLES FOR CRASHING ACTION!**

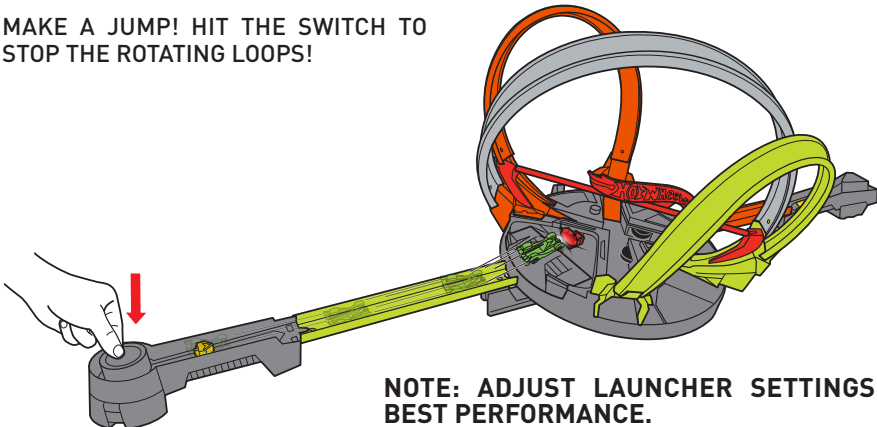
COMPETE HEAD-TO-HEAD WITH YOUR FRIENDS TO SEE WHO CAN STAY IN THE LOOPS THE LONGEST!



NOT FOR USE WITH SOME HOT WHEELS® VEHICLES.
INCLUDES 2 VEHICLES. ADDITIONAL VEHICLES SOLD SEPARATELY.

IMPORTANT: LAUNCH VEHICLE ONE AT A TIME FROM EACH SIDE.

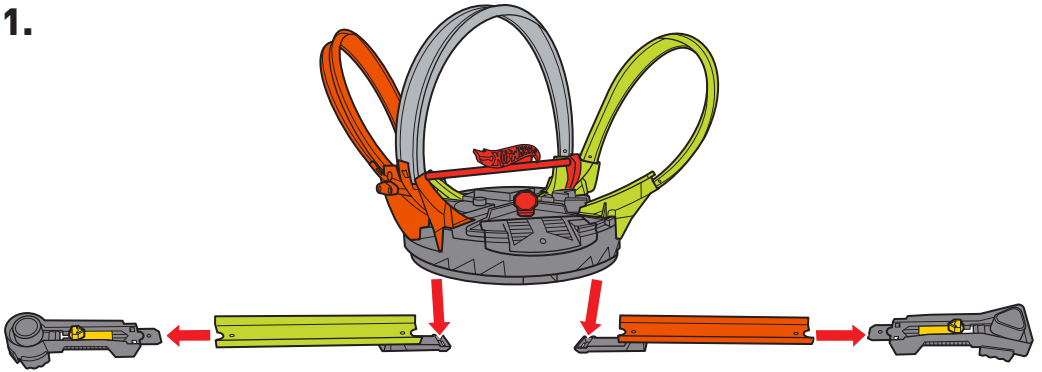
- 4. MAKE A JUMP! HIT THE SWITCH TO STOP THE ROTATING LOOPS!**



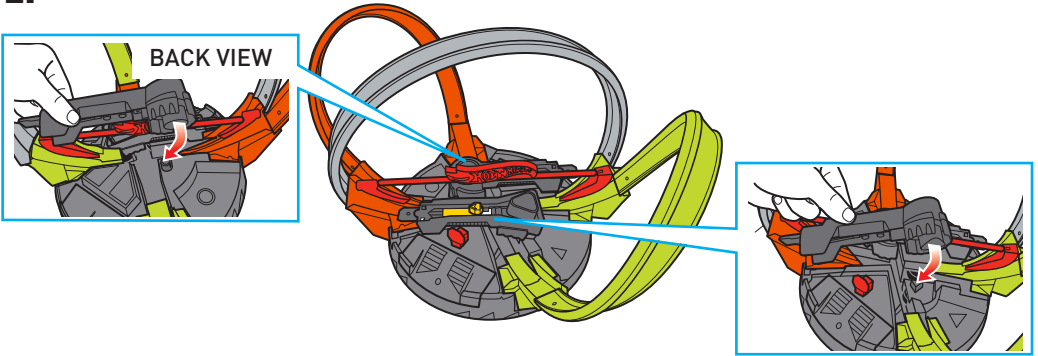
NOTE: ADJUST LAUNCHER SETTINGS FOR THE BEST PERFORMANCE.

STORAGE

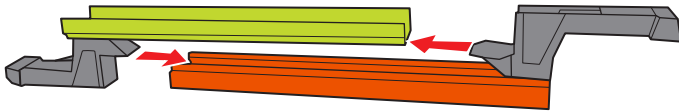
1.



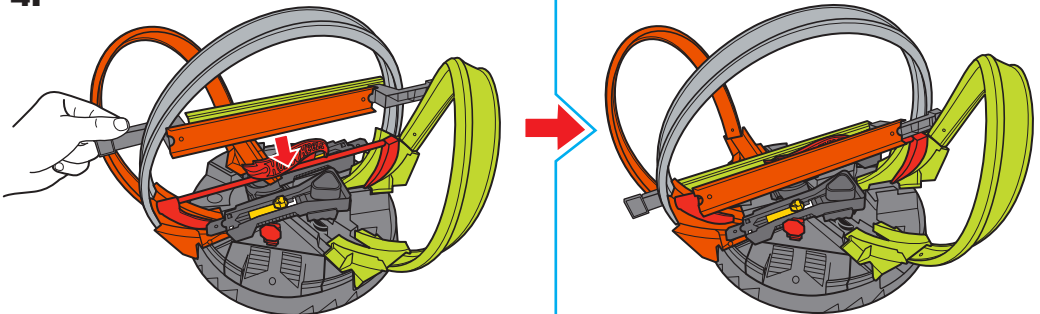
2.



3.

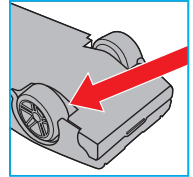
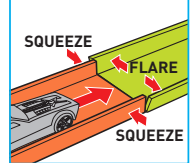
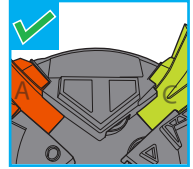


4.



PERFORMANCE TIPS

- Q. My car cannot run smoothly while getting through the connector pieces. Why does this happen?**
- A. The connector pieces are not correctly attached. The tabs MUST be inserted into the base during assembly.**
- Q. My car keeps crashing on the track for no reason. What is the problem?**
- A. Clear all obstructions on the track. Adjust track side walls at each connection point and make sure they are assembled either inside or outside of the track tabs, as described in the assembly steps.**
- Q. My car keeps slowing down by itself on the track.**
- A. Lint may collect around your car's axles. This may cause the car to run slowly. Use tweezers or a toothpick to remove lint.**



BATTERY SAFETY INFORMATION

In exceptional circumstances batteries may leak fluids that can cause a chemical burn injury or ruin your product. To avoid battery leakage:

- Non-rechargeable batteries are not to be recharged.
- Rechargeable batteries are to be removed from the product before being charged.
- Rechargeable batteries are only to be charged under adult supervision.
- Do not mix alkaline, standard (carbon-zinc), or rechargeable batteries.
- Do not mix old and new batteries.
- Only batteries of the same or equivalent type as recommended are to be used.
- Batteries are to be inserted with the correct polarity.
- Exhausted batteries are to be removed from the product.
- The supply terminals are not to be short-circuited.
- Dispose of battery(ies) safely.
- Do not dispose of this product in a fire. The batteries inside may explode or leak.



Protect the environment by not disposing of this product or any batteries with household waste. This symbol indicates that this product shall not be treated as household waste. Check your local authority for recycling advice and facilities.