

MEGA  
CONSTRUX™

American Girl®



Saige's  
Balloon  
Festival

FDY96

# LET'S GET STARTED



IT'S TIME TO BUILD YOUR STORY

P.3



MEET SAIGE

P.4



START BUILDING

P.7



SAIGE'S ACTIVITIES

P.54



# IT'S TIME TO BUILD YOUR STORY

The journey begins when you open the box. Find everything you need to build your story, and get ready to start building!



Take all the bags of pieces out of the box—you're almost ready to start building. Make sure you have your instructions handy!

Pull the tab to take your American Girl mini figure out of the window.

Let's get organized! Take all the pieces out of the bags and lay them out where you can see them. Be careful not to lose any.



## Meet Saige!

Girl of the Year® Saige Copeland expresses herself through art. She's a creative girl who paints anything that inspires her—including her favorite horses and the desert scenery around her New Mexico home.

### **Her imagination leads to inspiration.**

Saige's hometown hosts a hot-air balloon festival with music, food, and balloon rides. This year, Saige and her friend Gabi are hosting a painting booth. The money they raise will be used for an after-school arts program. "Art is meant to be shared," says Saige. "Today I taught kids how to draw horses! Life without art would be a blank, boring canvas."



## Soar with Saige!

At the end of a busy day at the festival, Saige and Gabi stop at the music stage and share popcorn. "I know the perfect way to finish the day," says Saige. "Let's ask my dad to take us for a ride in his hot-air balloon!"



# YOUR BUILDABLE FIGURE



**DID YOU KNOW THAT YOU CAN PERSONALIZE YOUR AMERICAN GIRL MINI FIGURES?**

Collect them all, then mix and match pieces from each to customize them. Use the different parts and accessories to change their look and style. You can even create totally new characters that look like you and your friends!

Each sold separately and subject to availability.







# START BUILDING



Build this beautiful balloon!

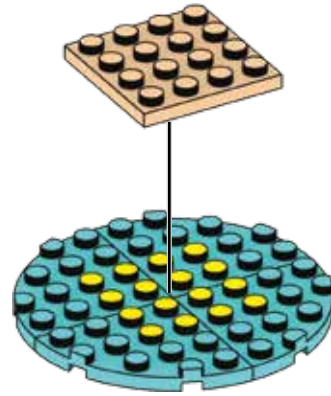
1



1x



4x

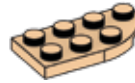


2



2x

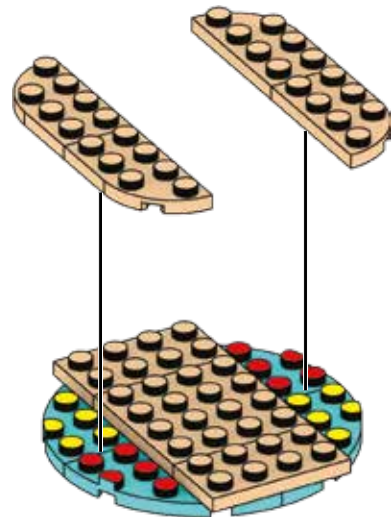
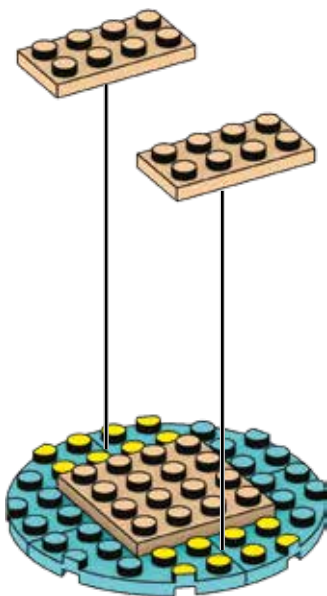
3



2x

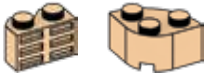


2x



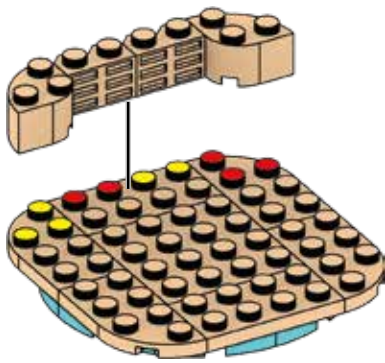


4

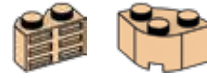


2x

2x

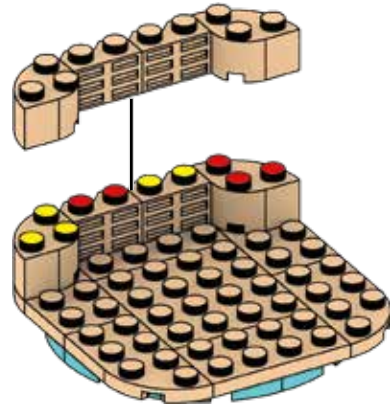


5



2x

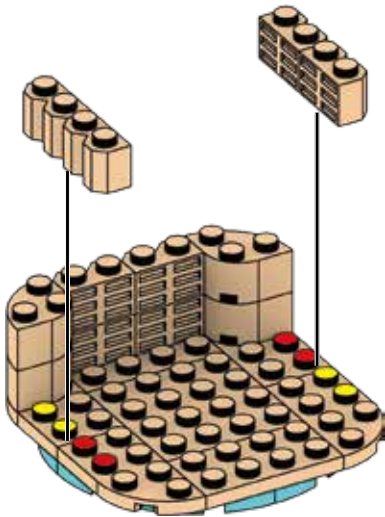
2x



6



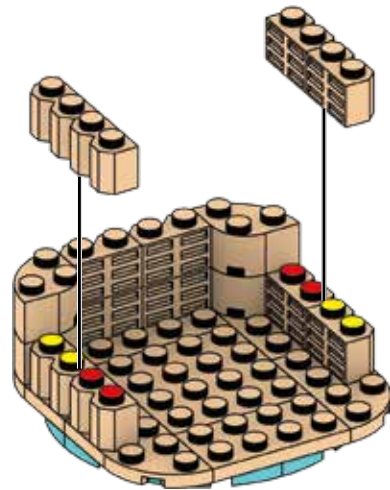
4x



7



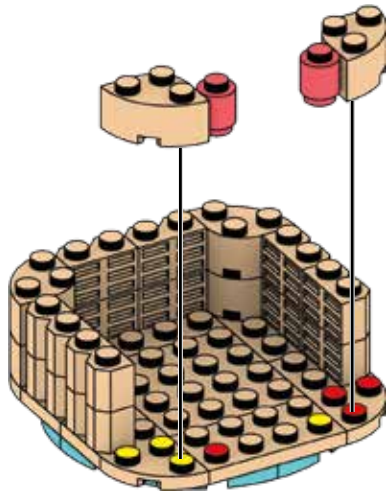
4x



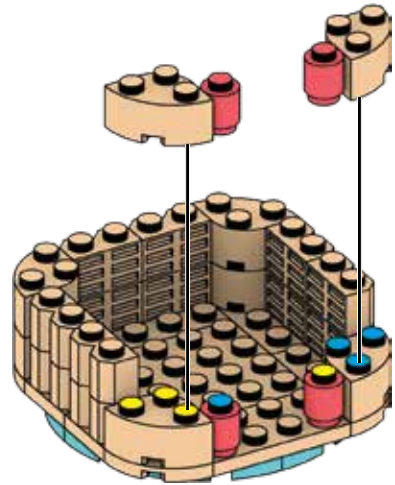
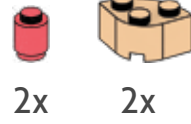




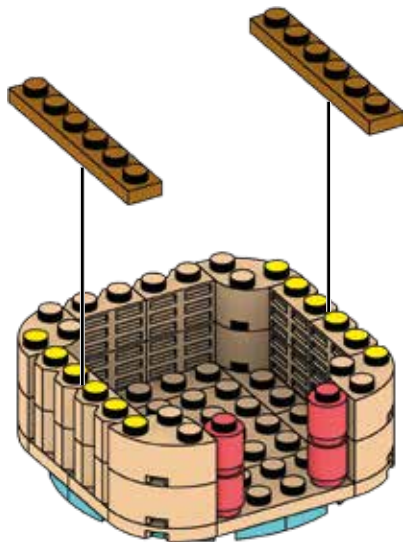
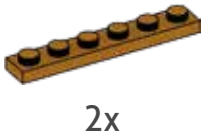
8



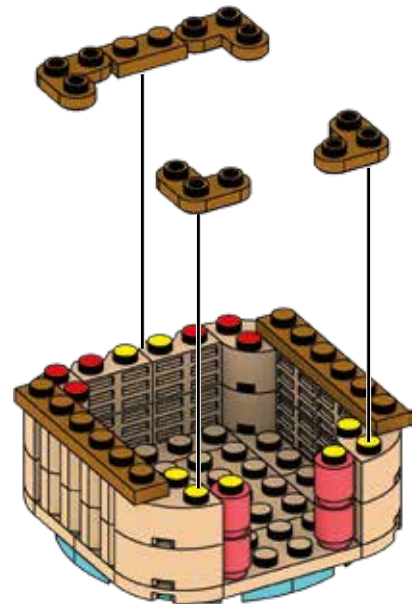
9



10



11

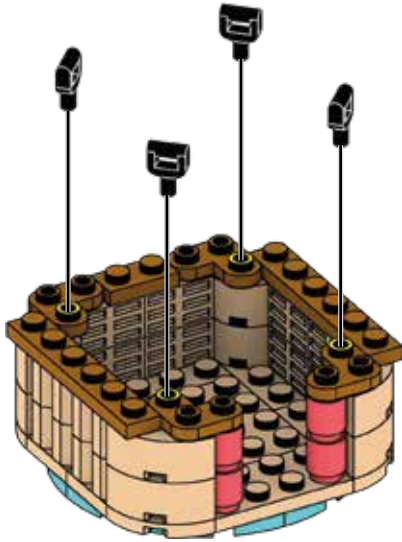




12



4x



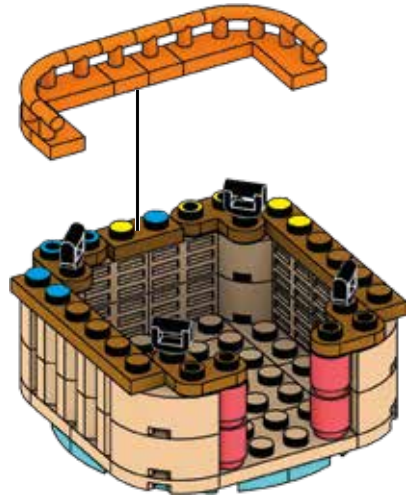
13



2x



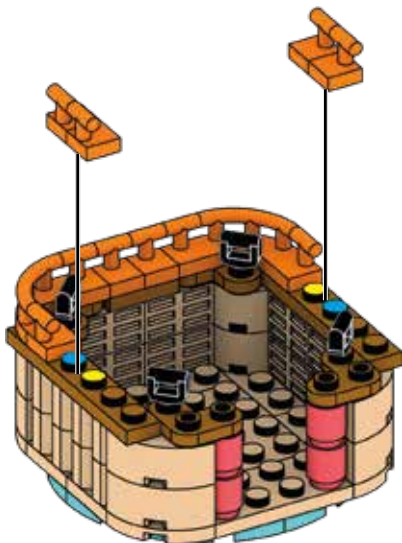
2x



14



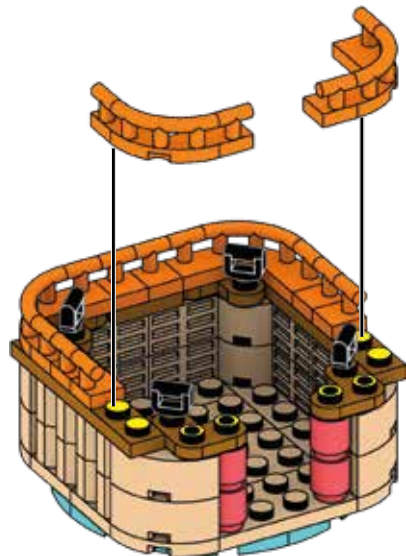
4x



15



2x







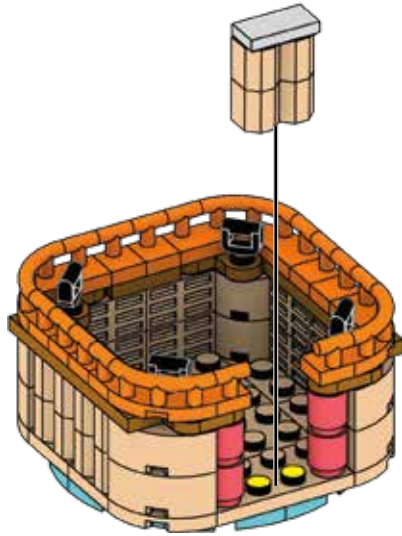
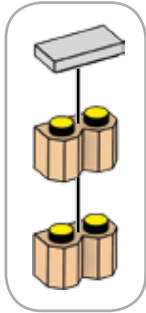
16



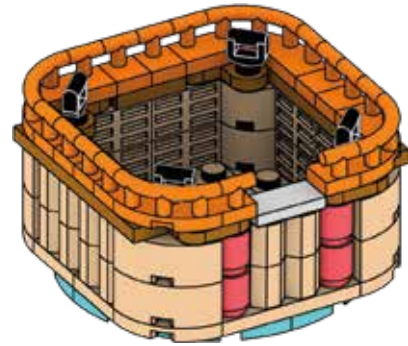
1x



2x



1



2



## BUILDING TIP

It's time for Saige to go for a balloon ride! To put her in the basket, open the door by detaching the pieces under the silver brick. Reattach Saige's feet to the floor inside. Rebuild the door to keep her safe and sound!





17



2x



1x



18



2x



19



4x



4x

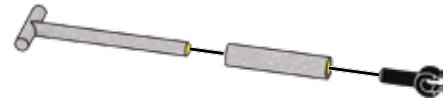


4x

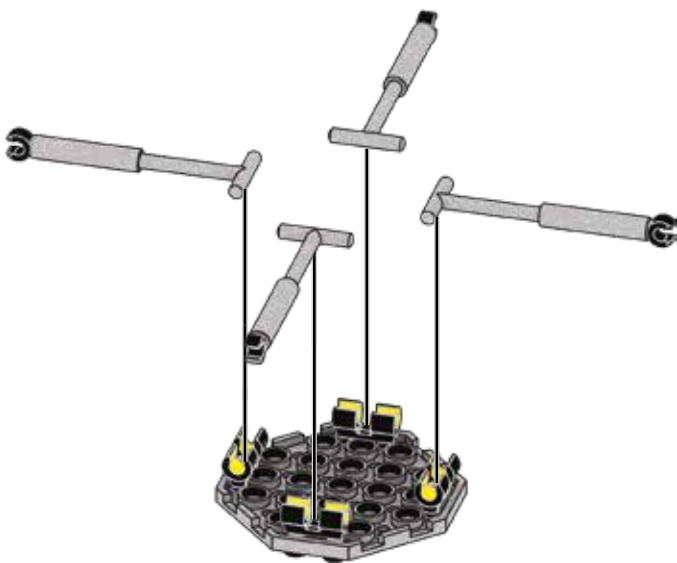


X

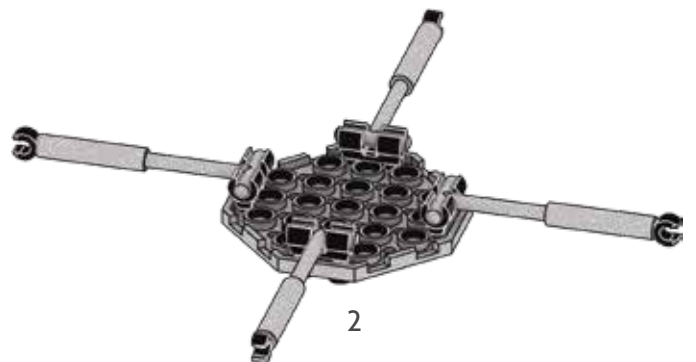
✓



x4



1



2



20

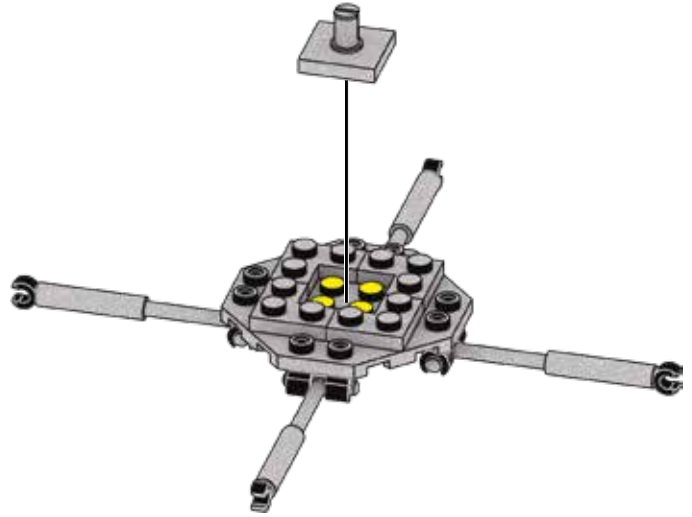
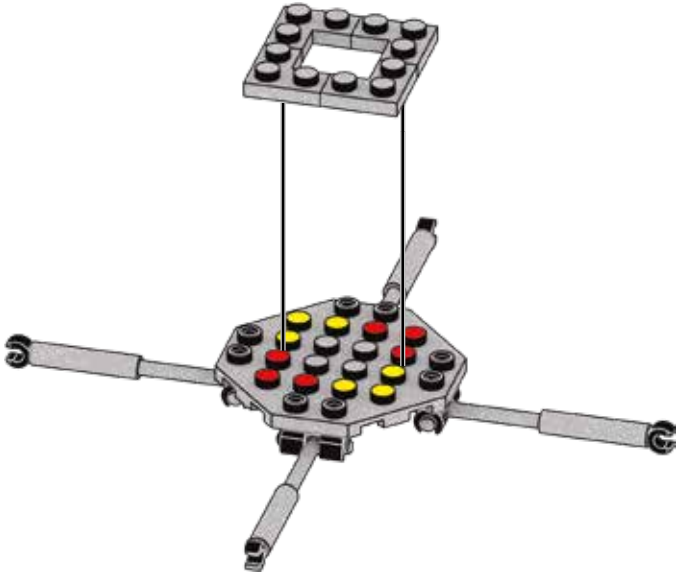


4x

21



1x



22



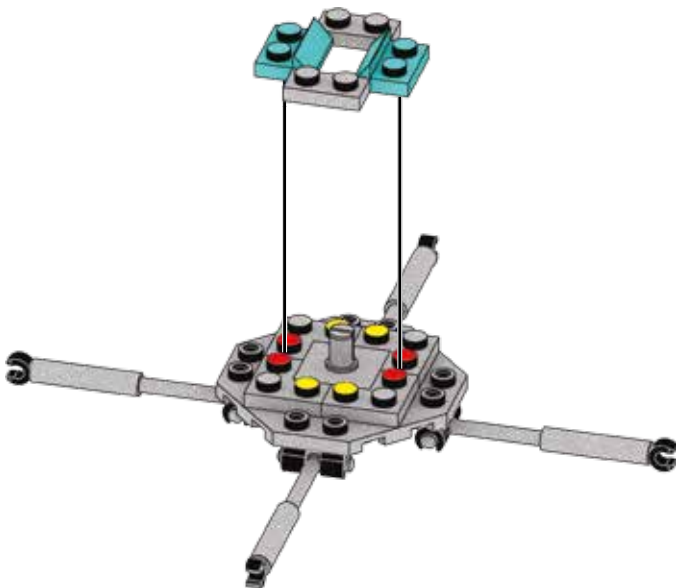
2x

2x

23



4x



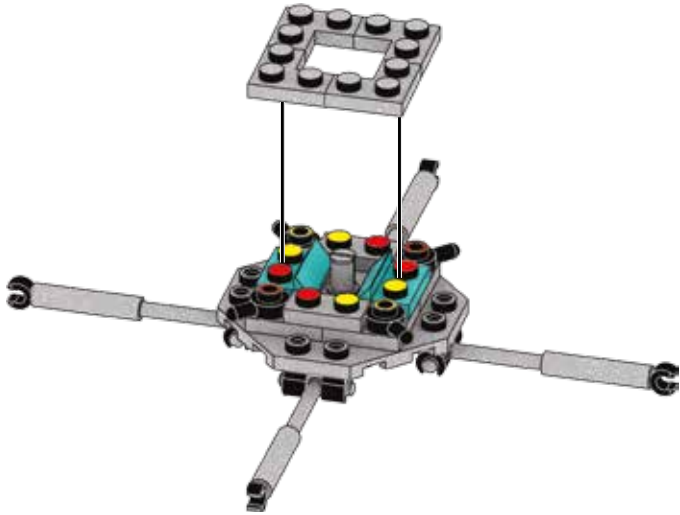




24



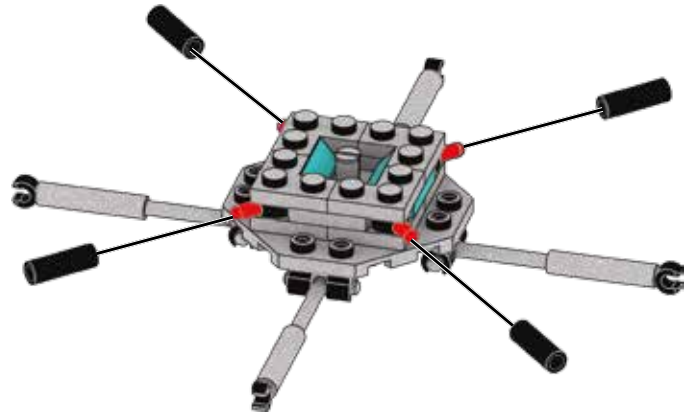
4x



25



4x



26



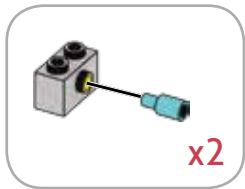
4x



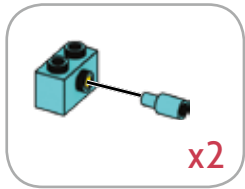
2x



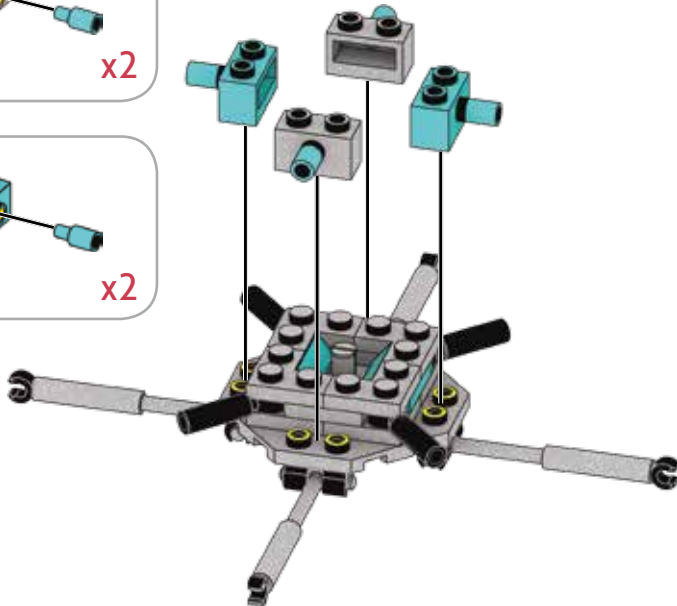
2x



x2



x2



27



4x



2x





28



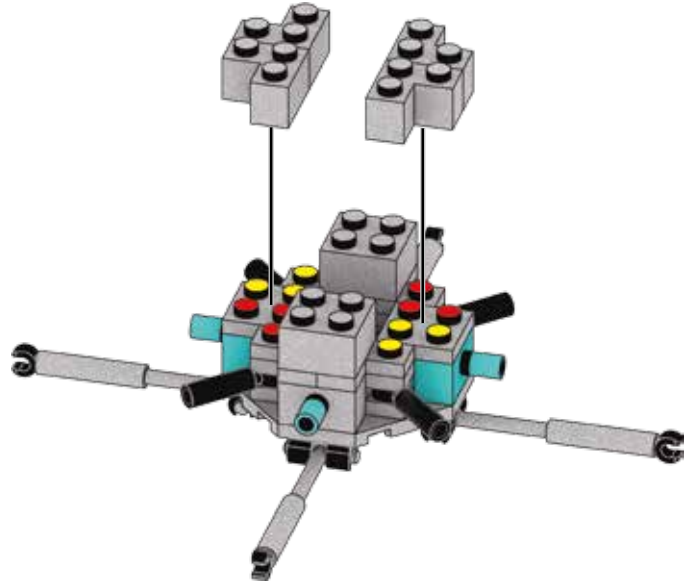
2x



29



4x



30



2x



2x

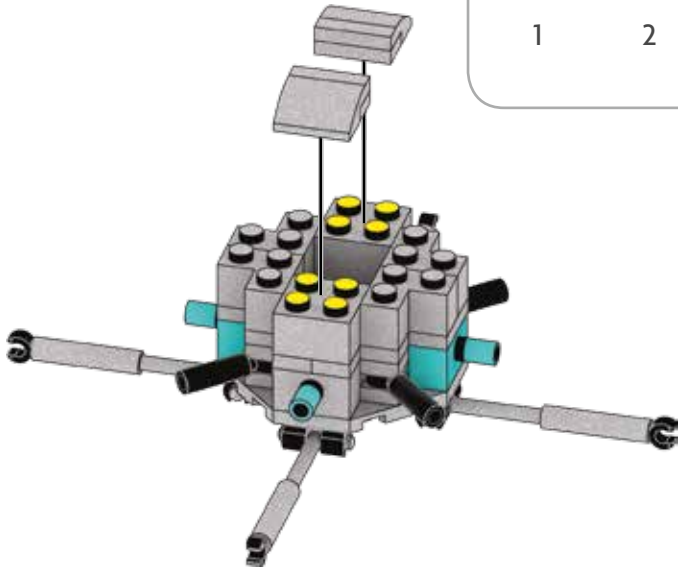


1

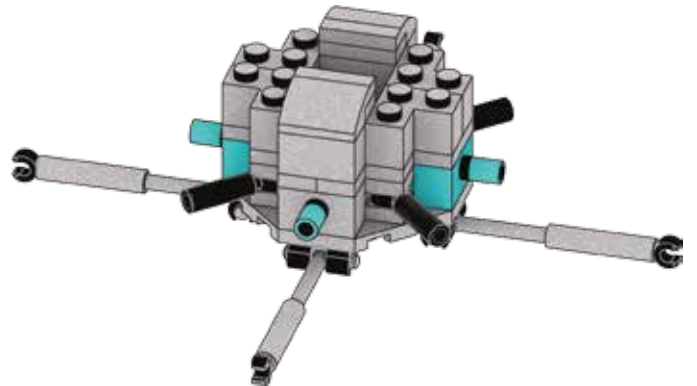


2

x2



1



2



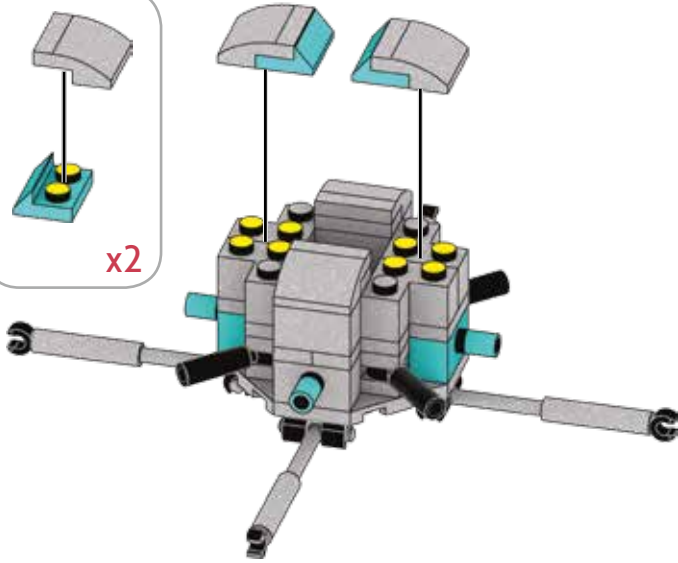
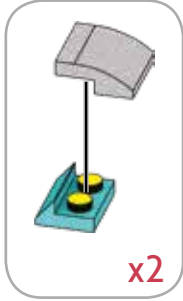
31



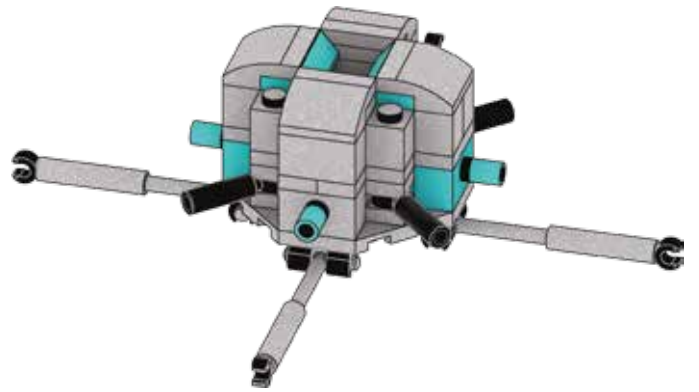
2x



2x



1



2

32



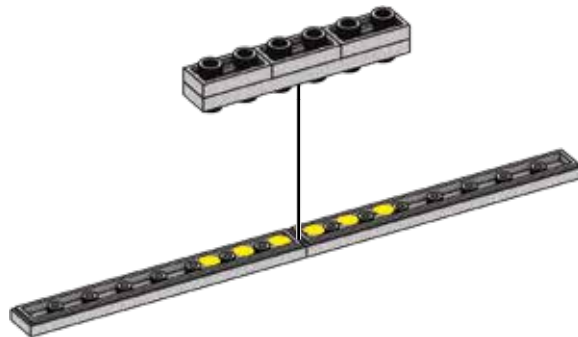
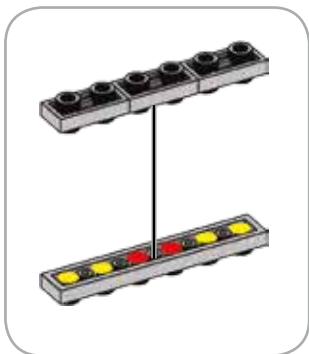
3x



1x



2x







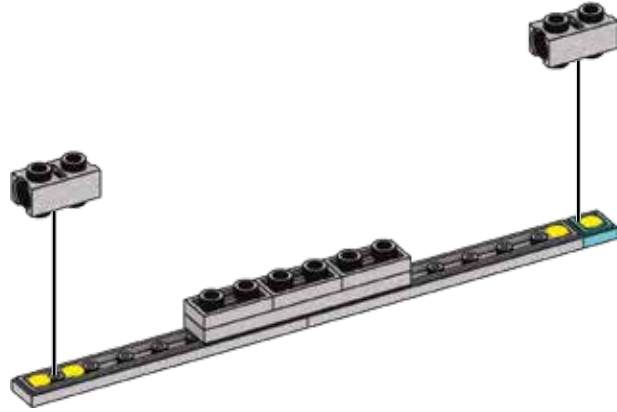
33



1x



2x



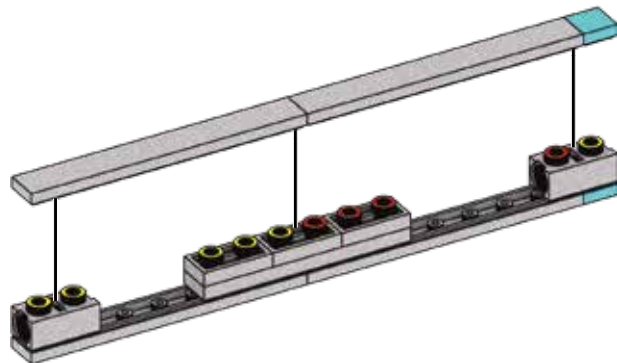
34



1x



2x





35



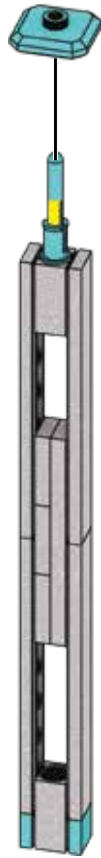
1x



1x



1



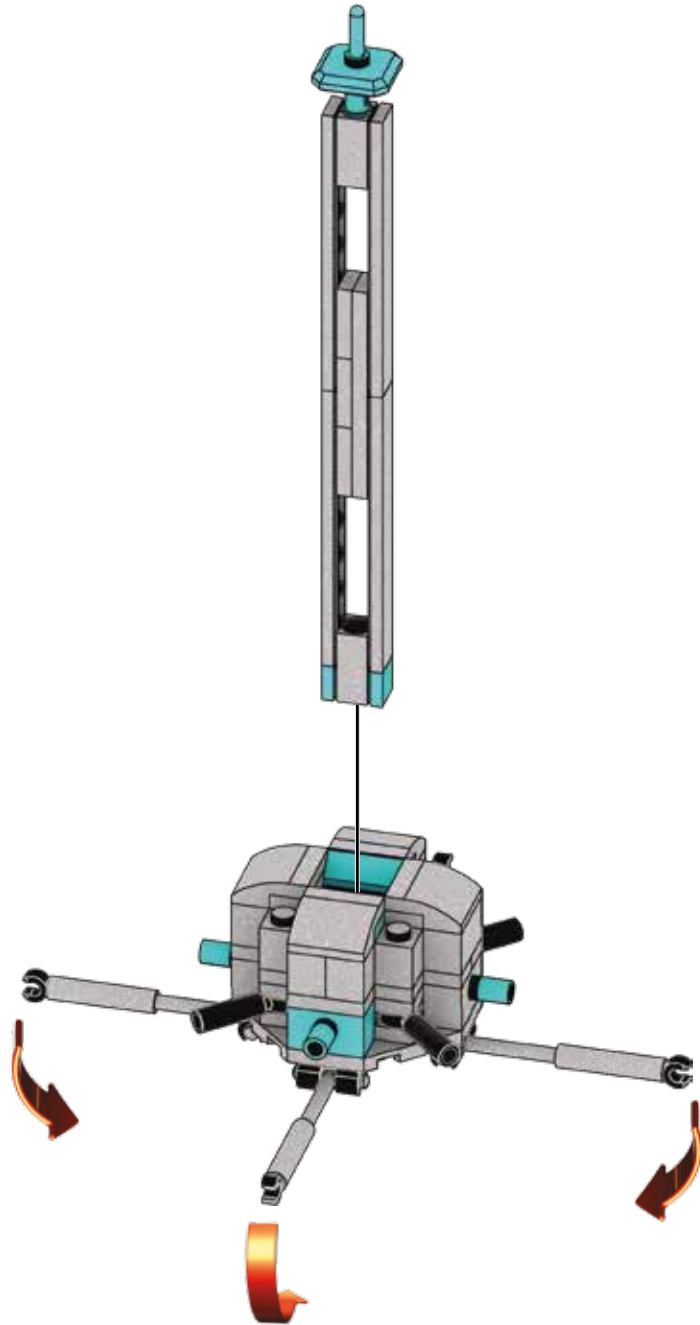
2



3



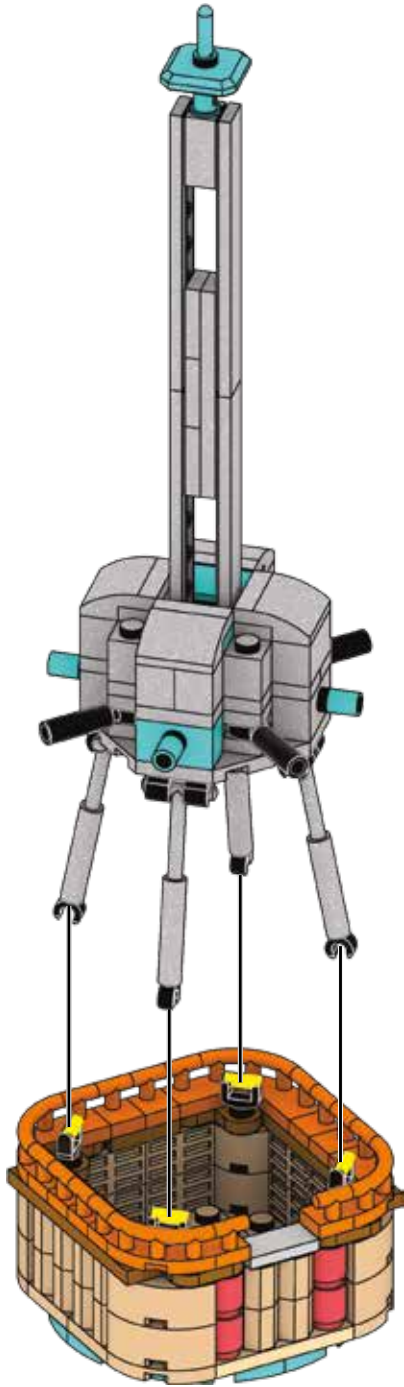
36



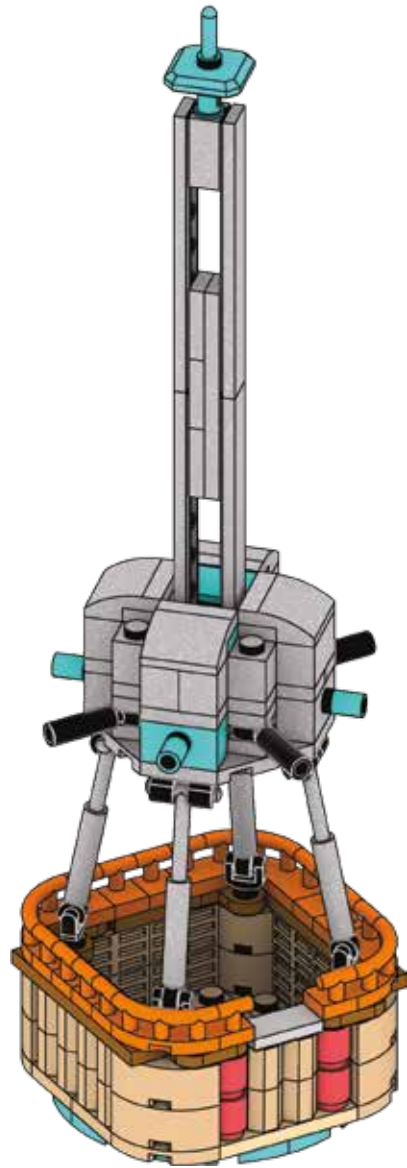




37



1



2



38



1x



2x

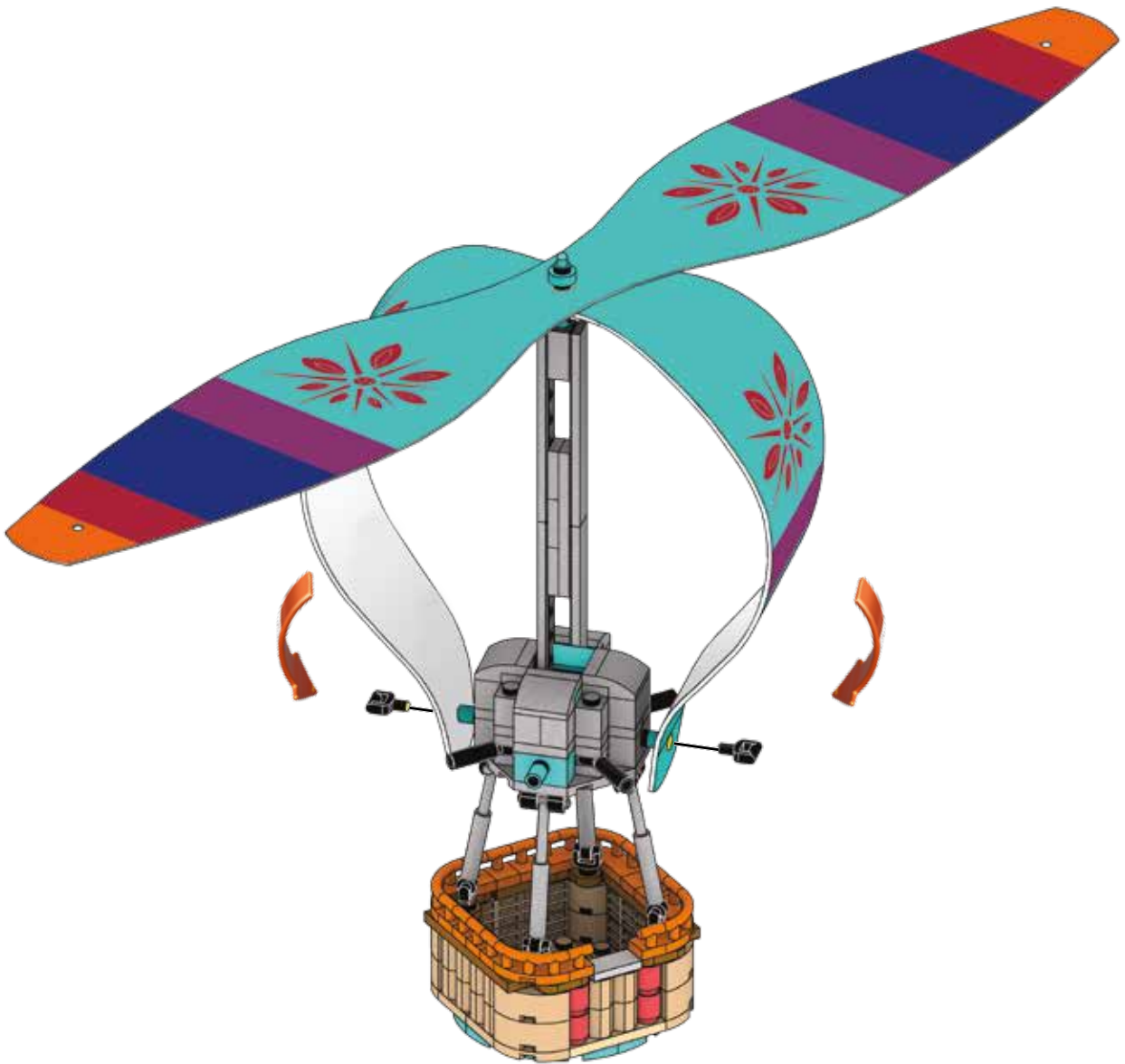




39



2x







40



2x





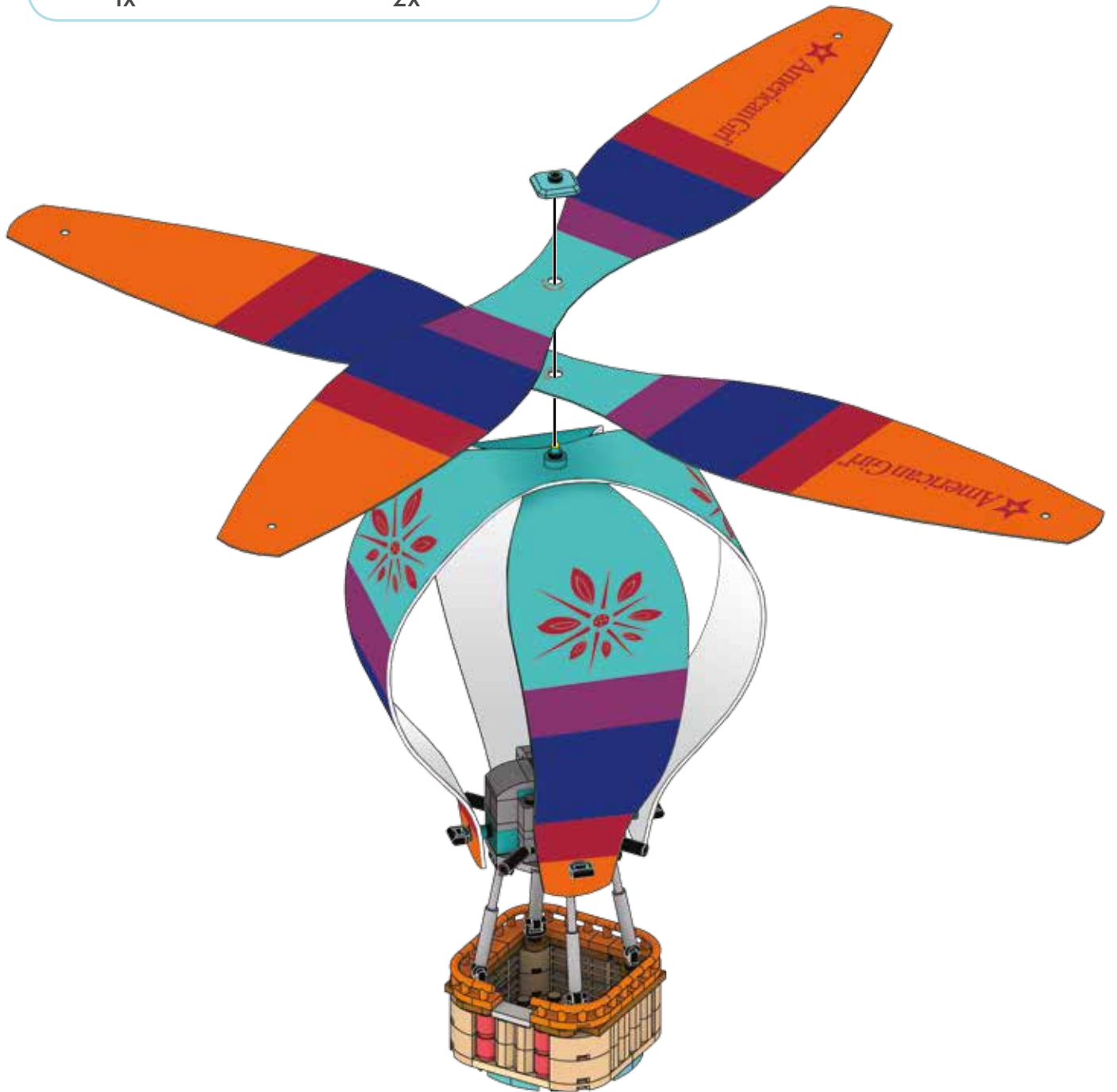
41



1x



2x





42



2x





43



2x



1





2



Build the art studio  
so Saige can paint!

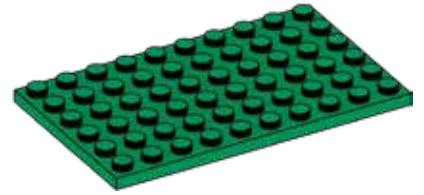
44



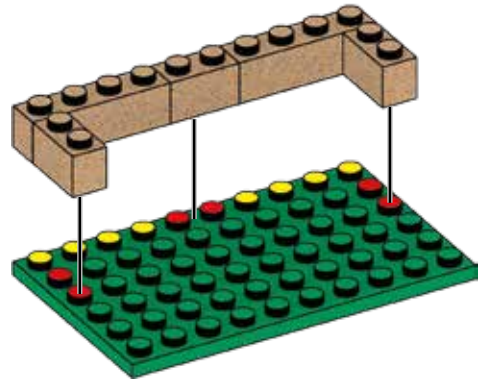
3x



2x



1x



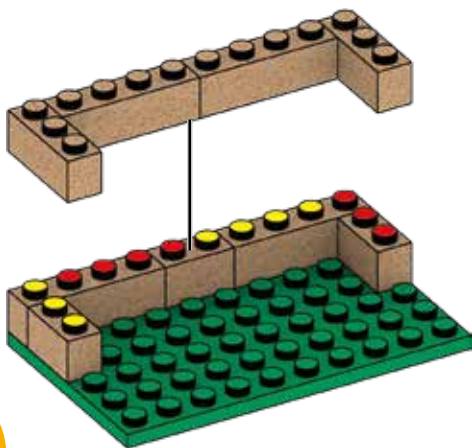
45



2x



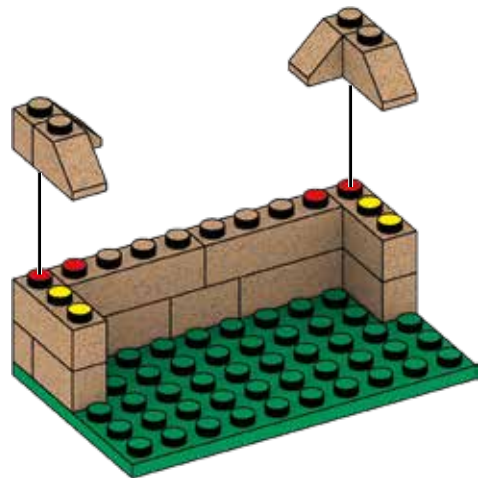
2x



46

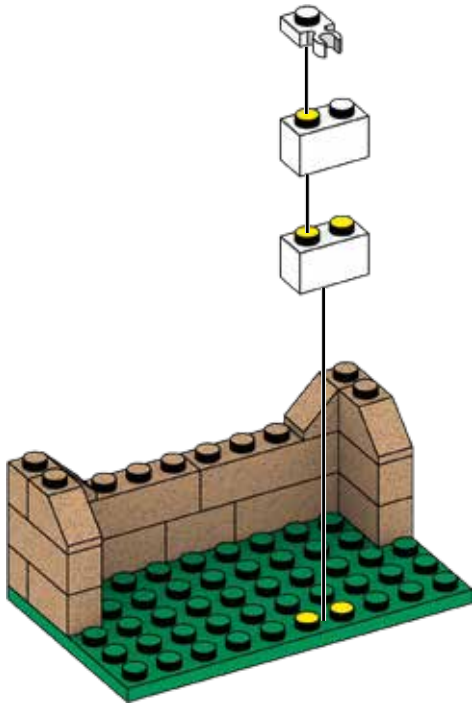
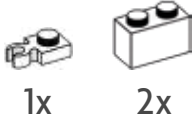


4x

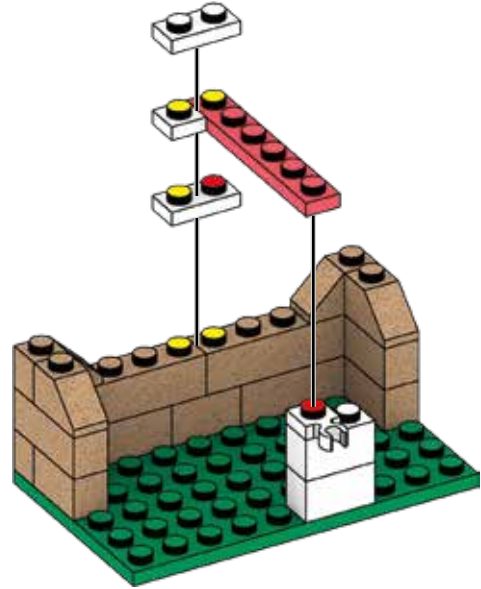




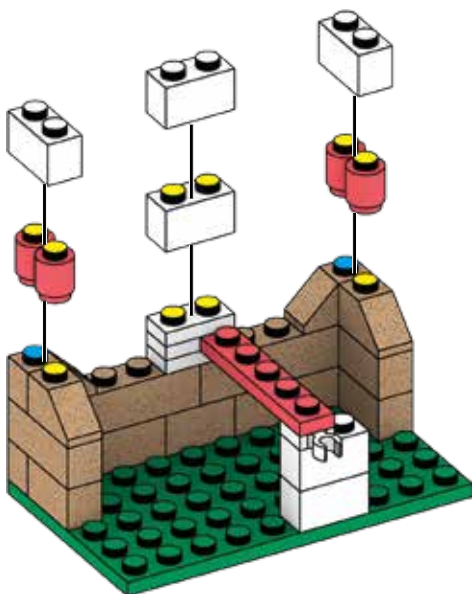
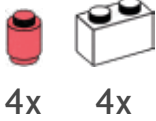
47



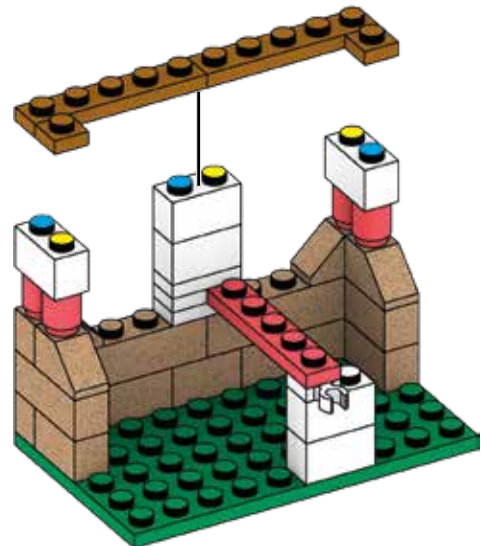
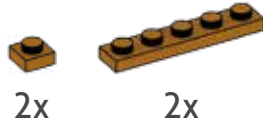
48



49



50





51



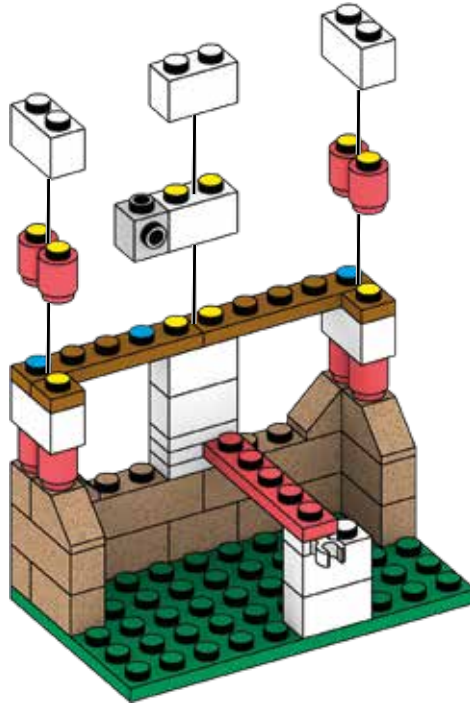
4x



1x



4x



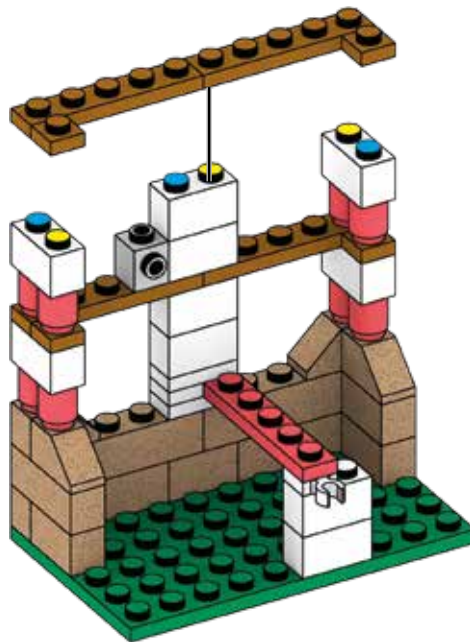
52



2x



2x







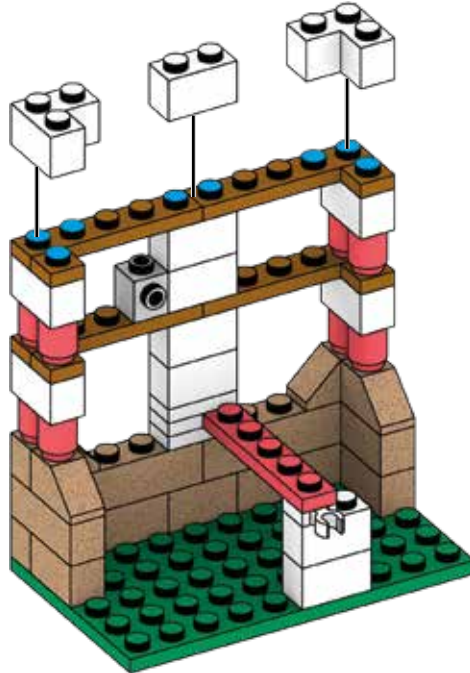
53



1x



2x



54



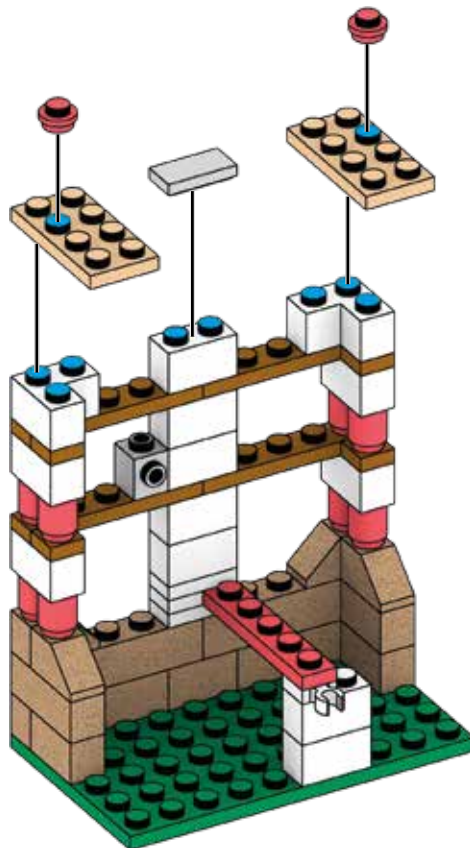
2x



1x



2x





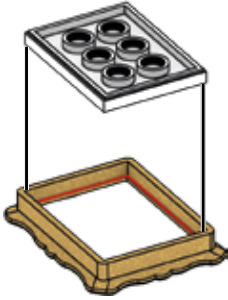
55



1x



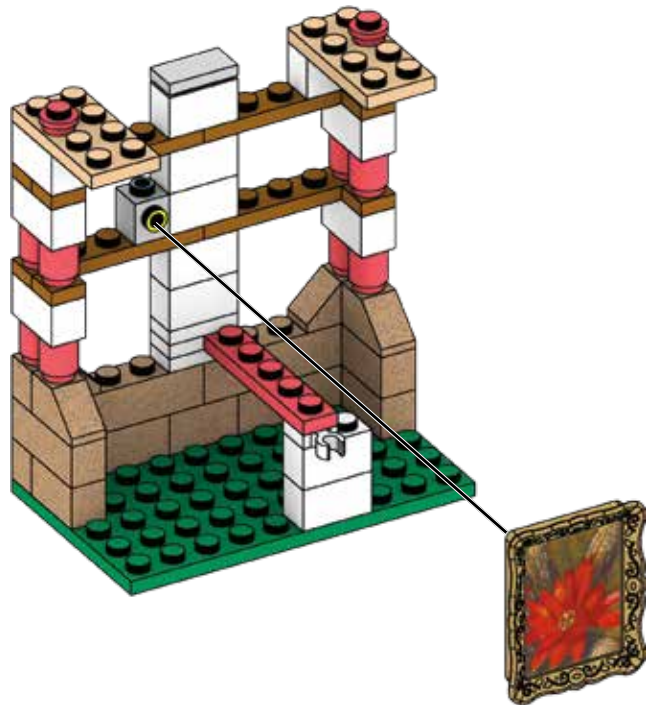
1x



1

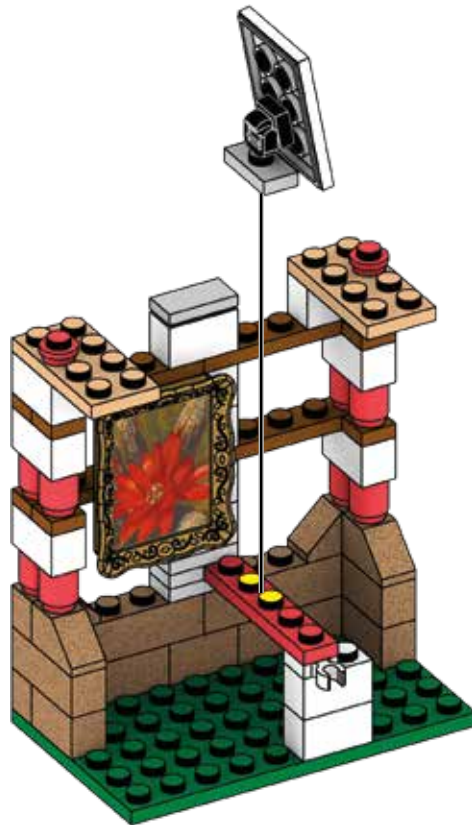
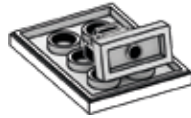
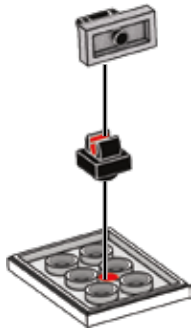
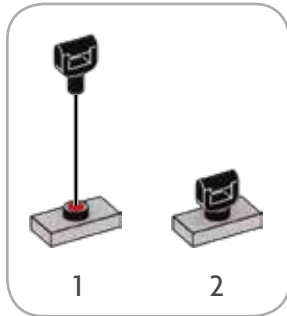
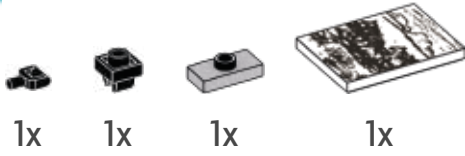


2



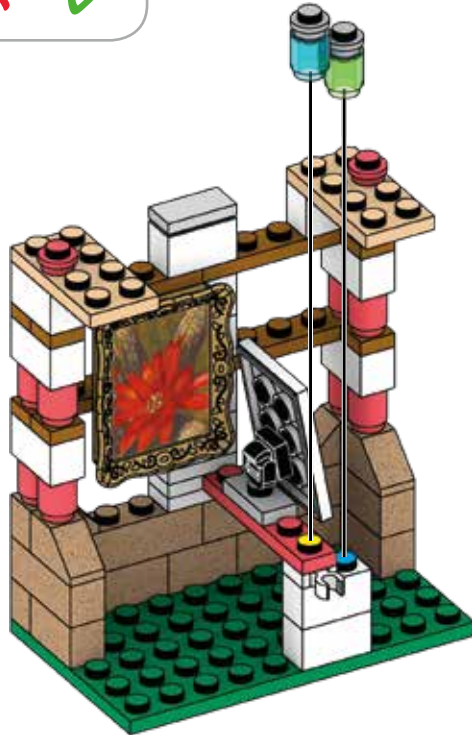
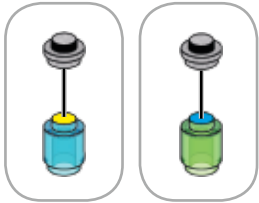
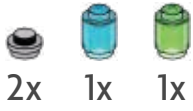


56

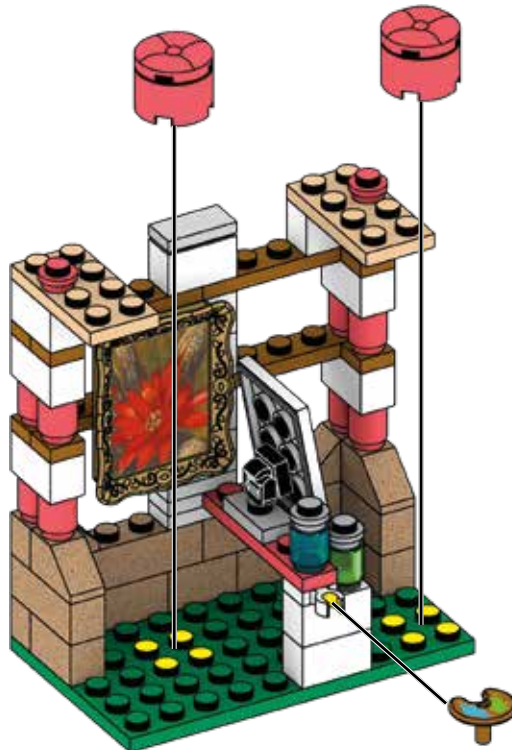
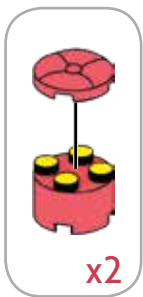




57



58



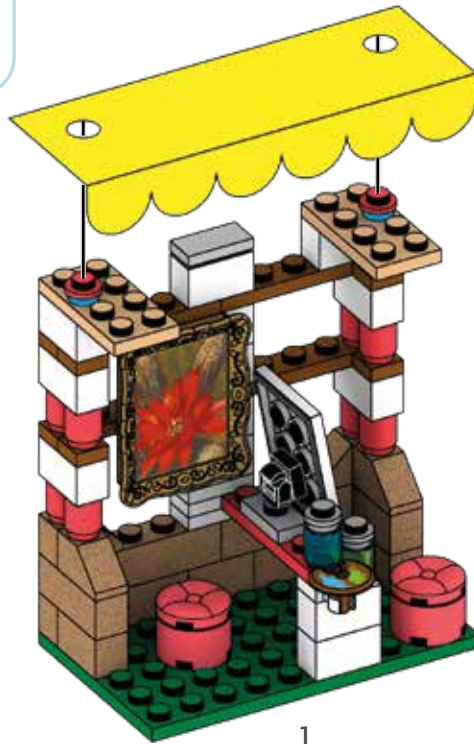




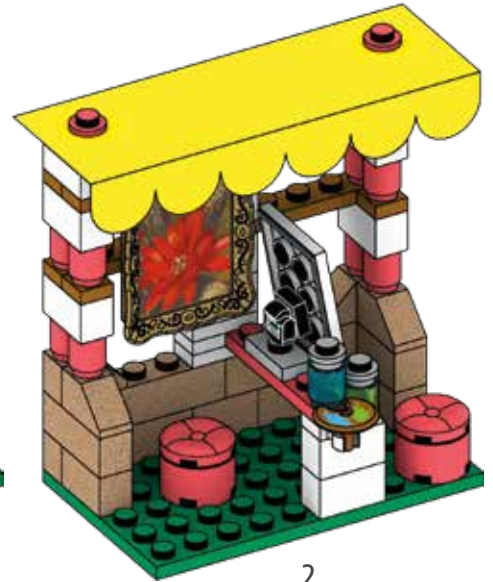
59



1x



1



2



## BUILDING TIP

When setting the awning, be sure to stretch the fabric tight to make it fit over the small pink circle pieces. That looks great!





Build the stage and start the music!

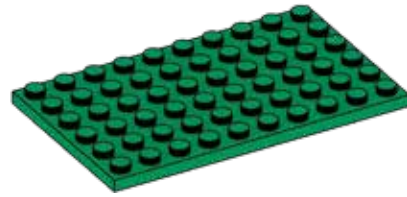
60



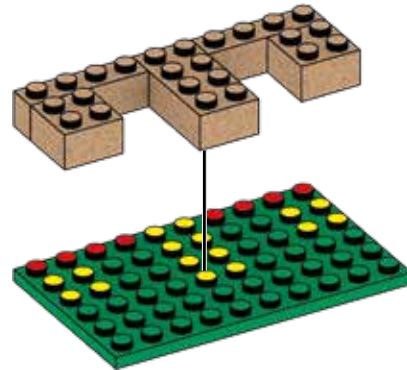
2x

2x

1x



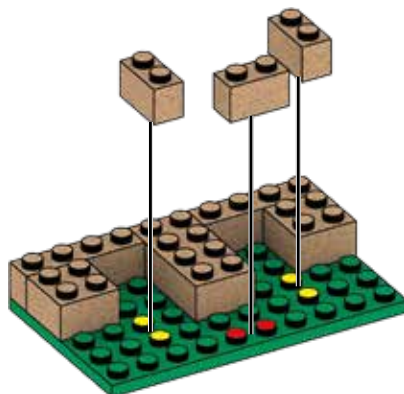
1x



61



3x





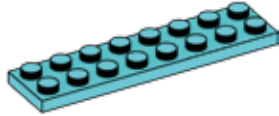
62



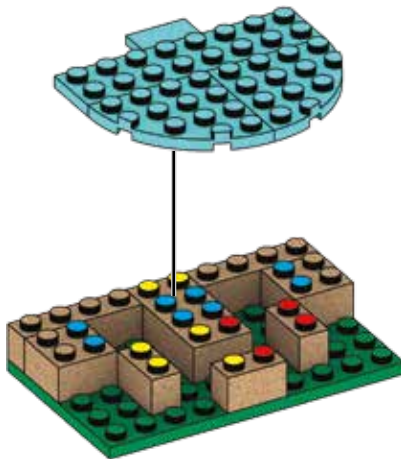
1x



2x



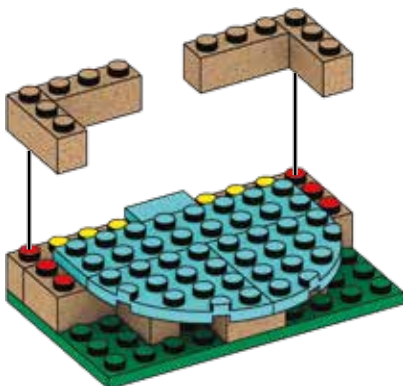
1x



63



4x



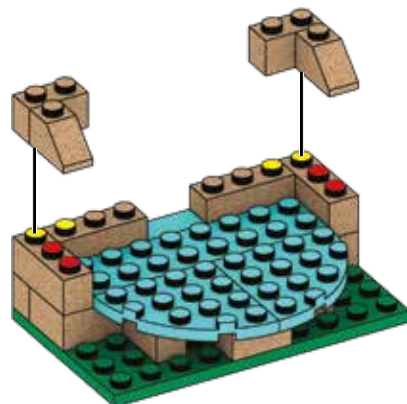
64



2x



2x





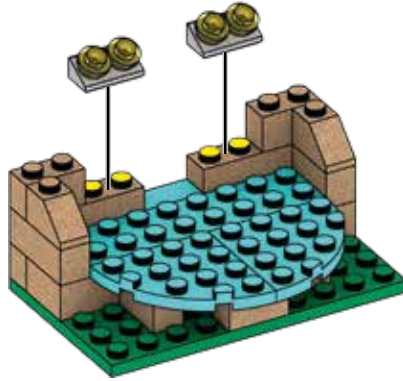
65



4x



2x



66



1x



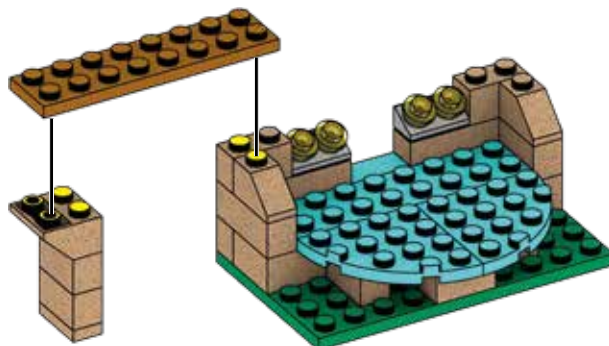
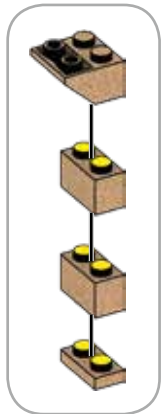
2x



1x



1x



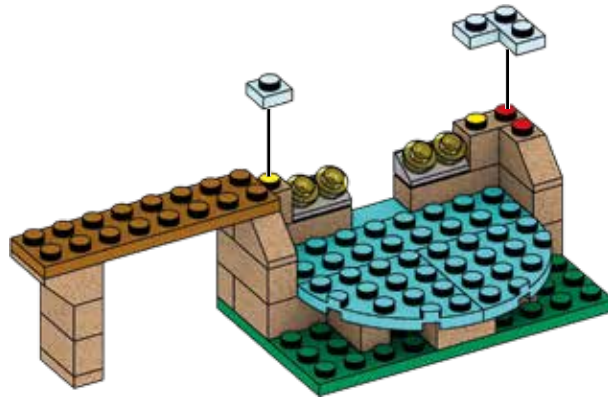




67



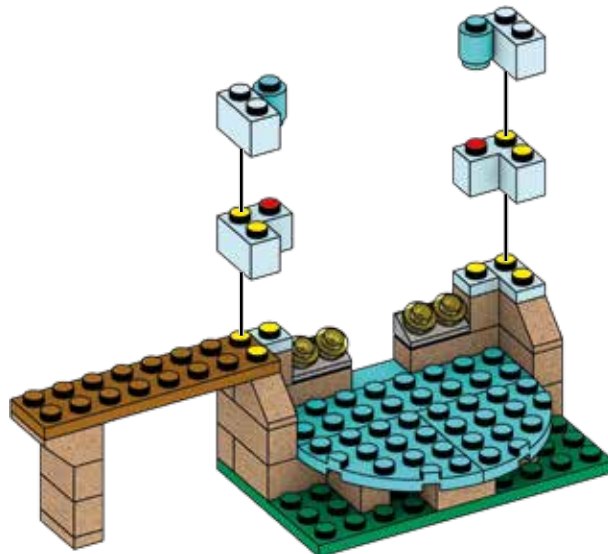
2x 1x



68

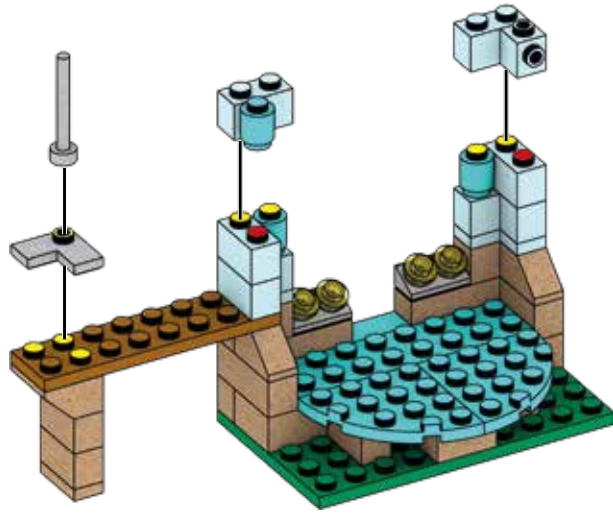
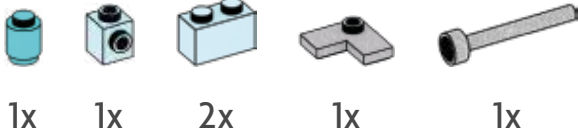


2x 2x 2x

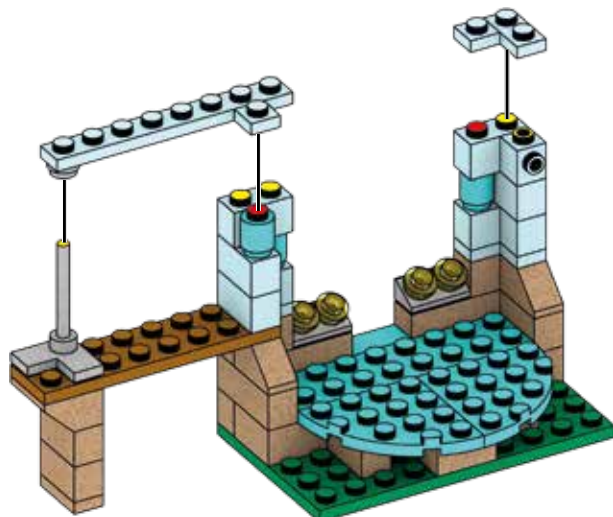
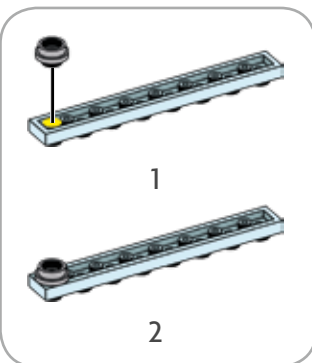
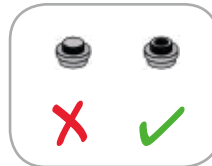
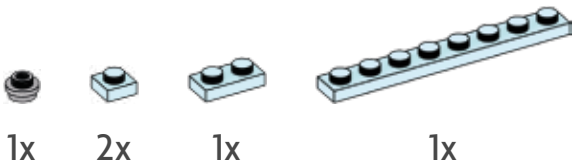




69



70



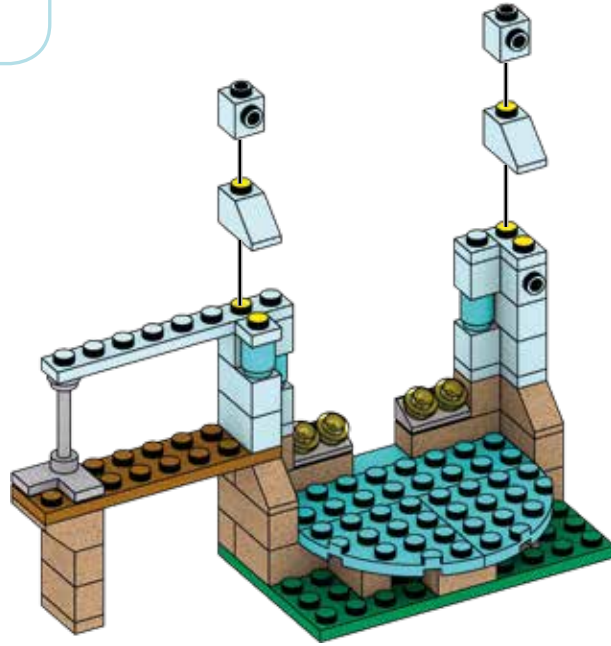


71

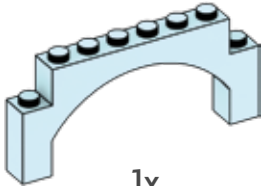


2x

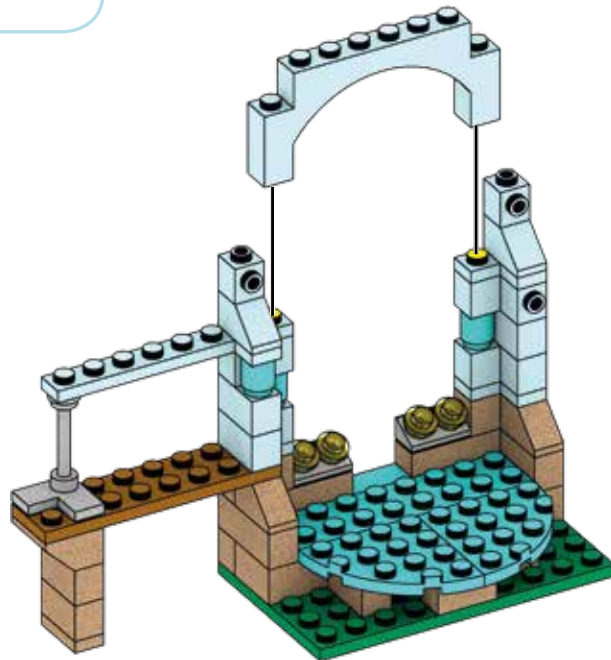
2x



72



1x

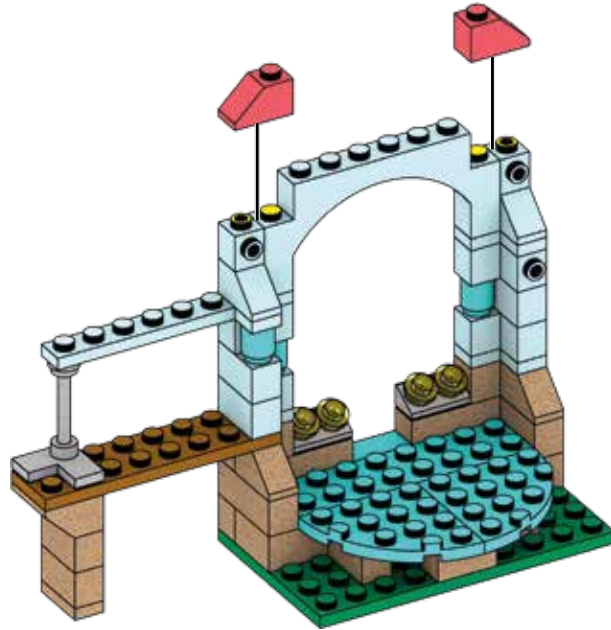




73



2x



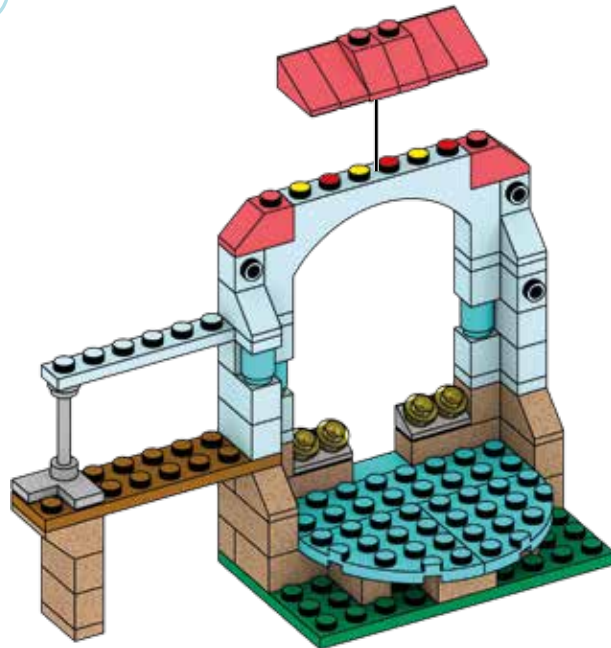
74



4x



2x







75



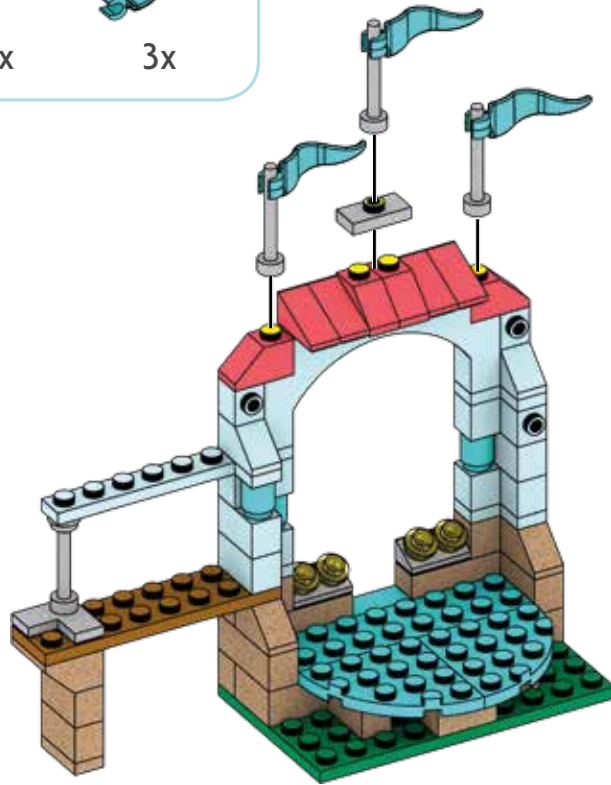
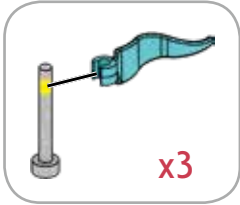
1x



3x



3x



76



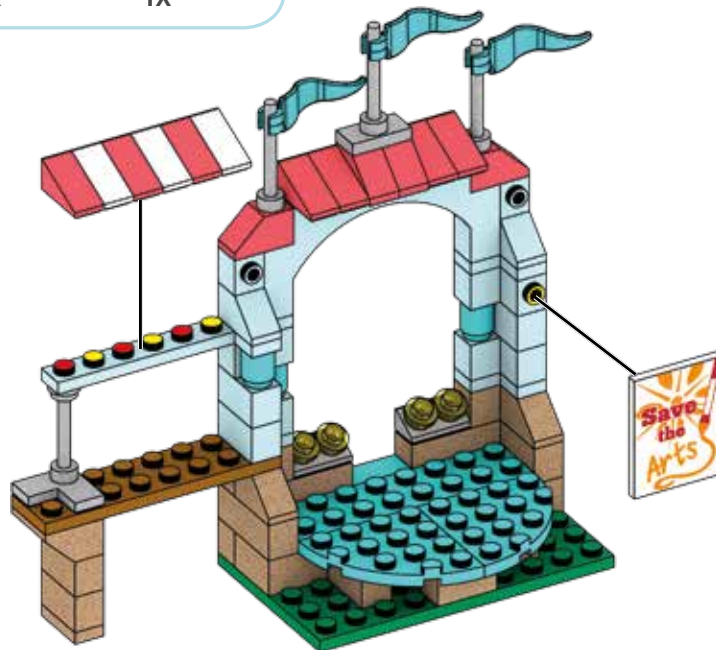
3x



3x



1x





77



2x



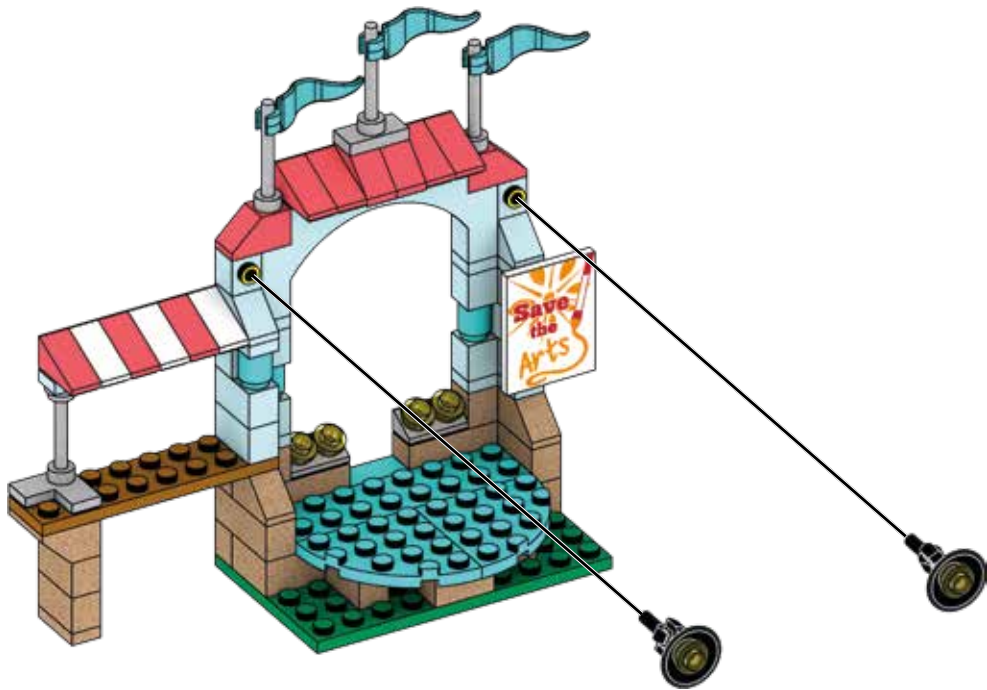
2x



2x



2x





78



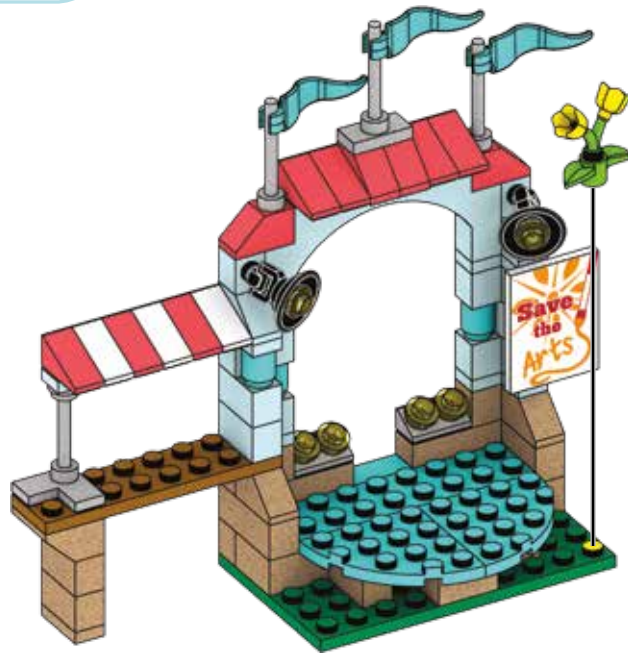
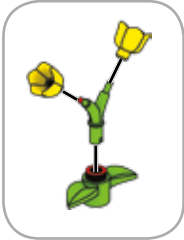
2x



1x



1x



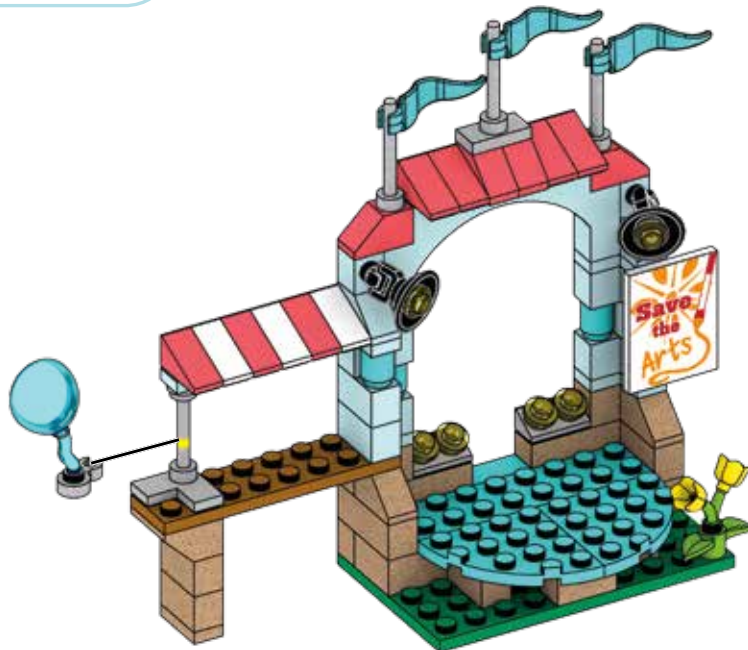
79



1x



1x





80



1x



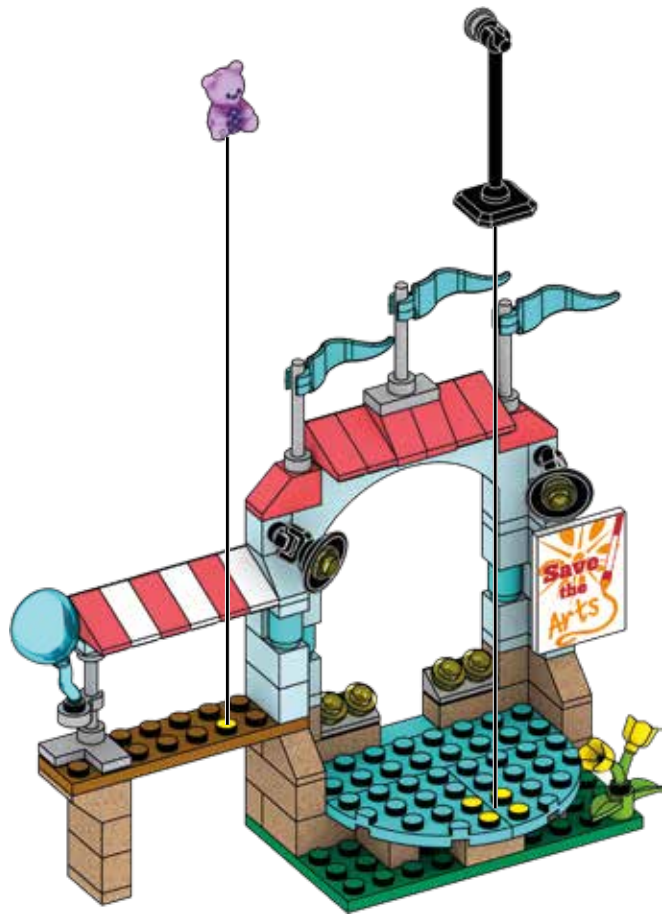
1x



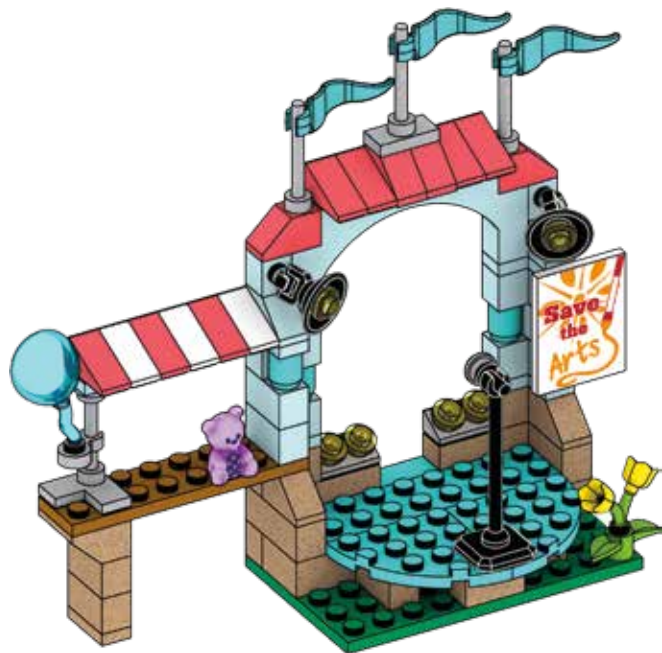
1x



1x



1



2





Build the popcorn machine for a salty snack!

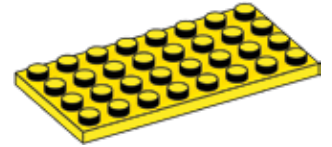
81



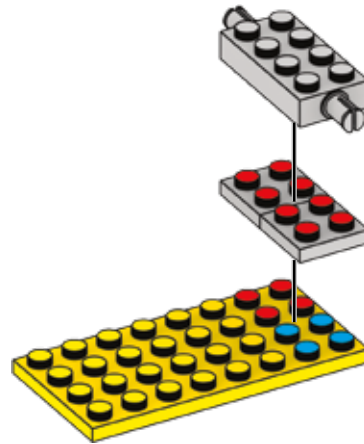
2x



1x



1x



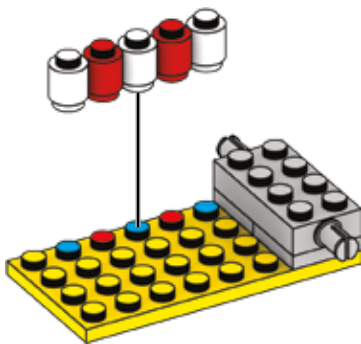
82



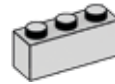
2x



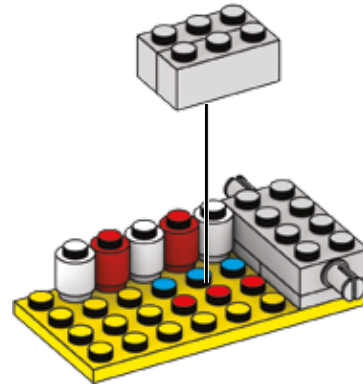
3x



83



2x



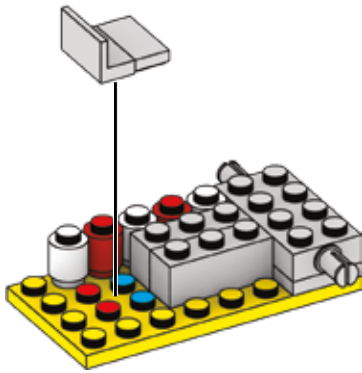


84



1x

1x

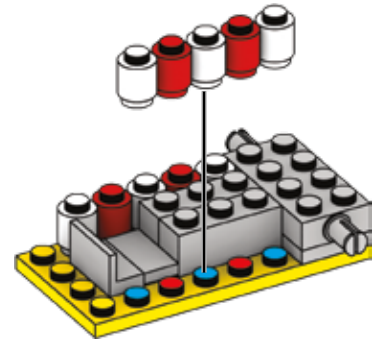


85



2x

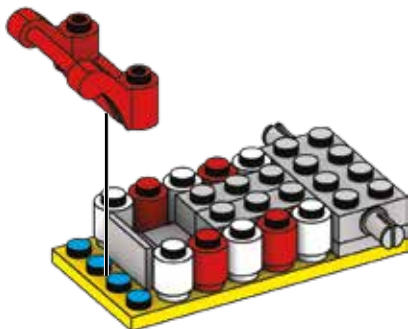
3x



86



1x

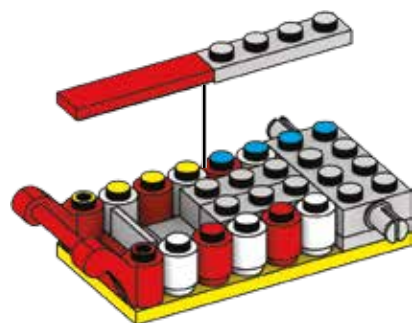


87



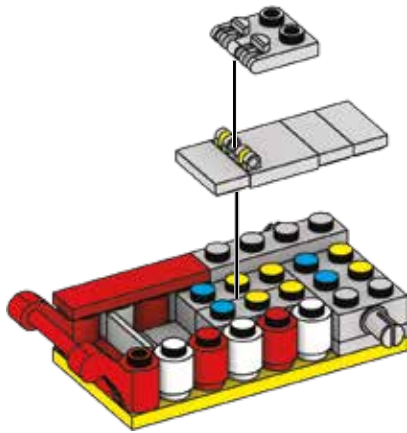
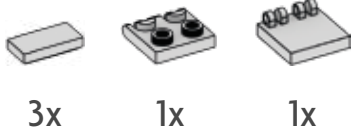
1x

1x

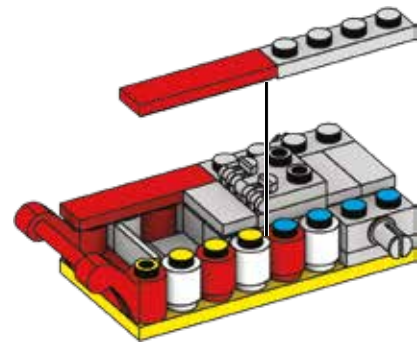
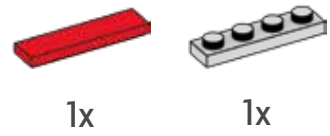




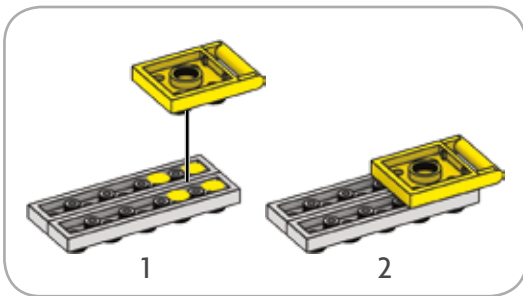
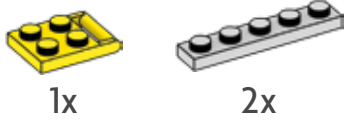
88



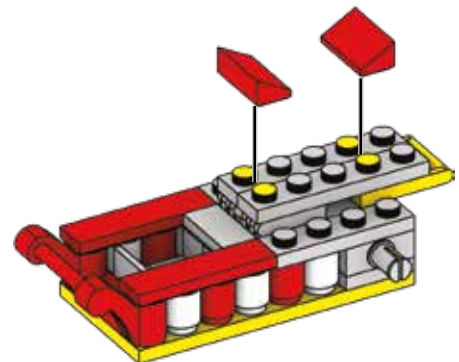
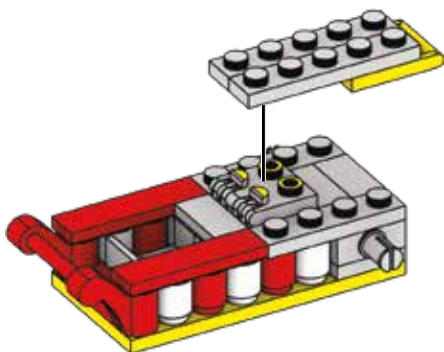
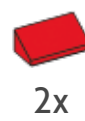
89



90



91



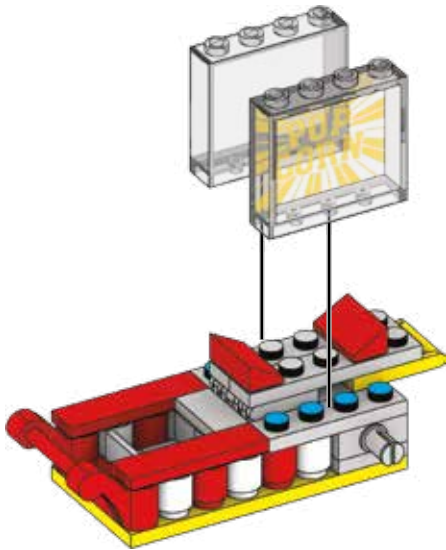


92



1x

1x



93



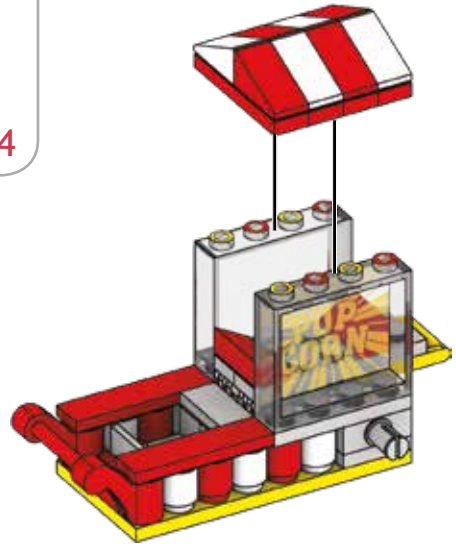
4x

4x

4x



x4



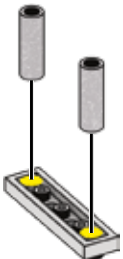
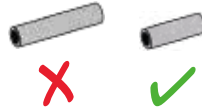
94



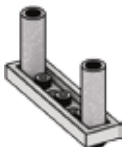
2x

1x

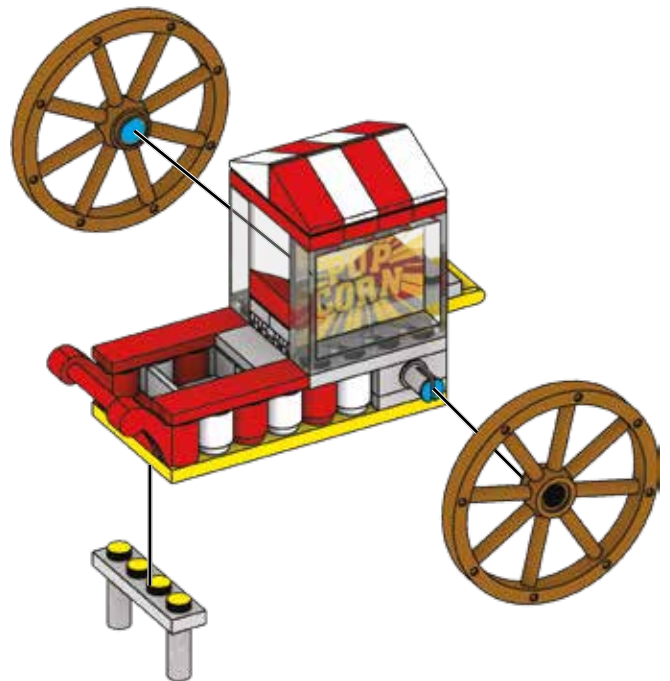
2x



1



2







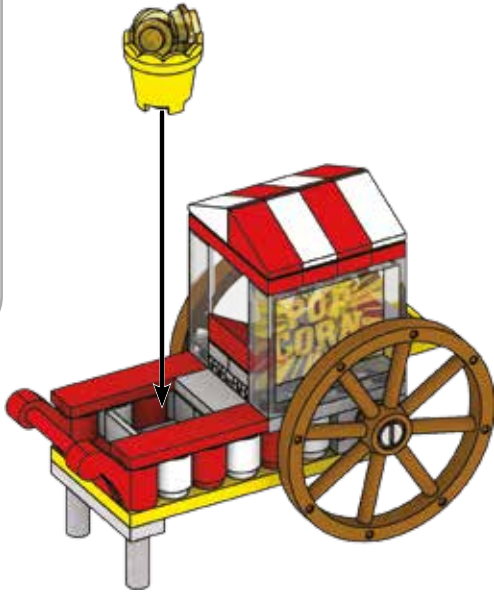
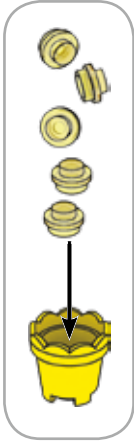
95



8x



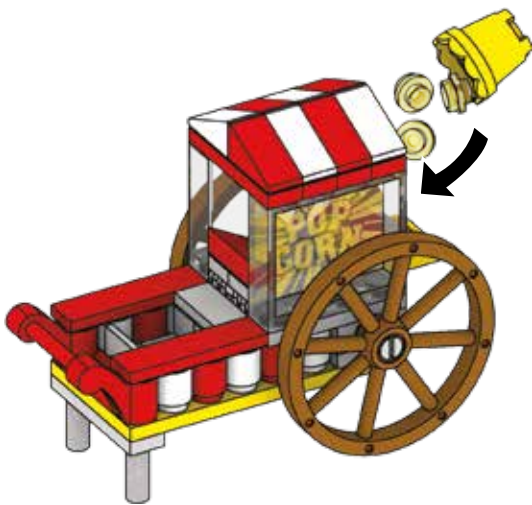
1x



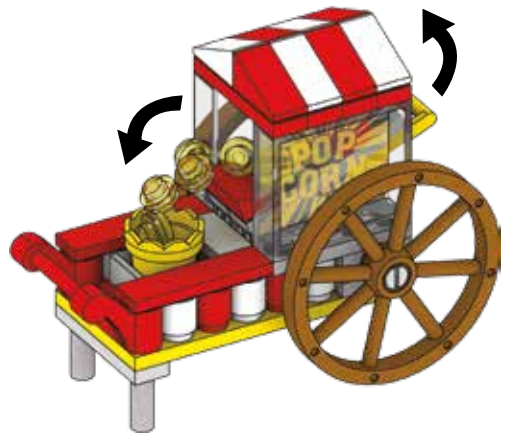
1



2



3

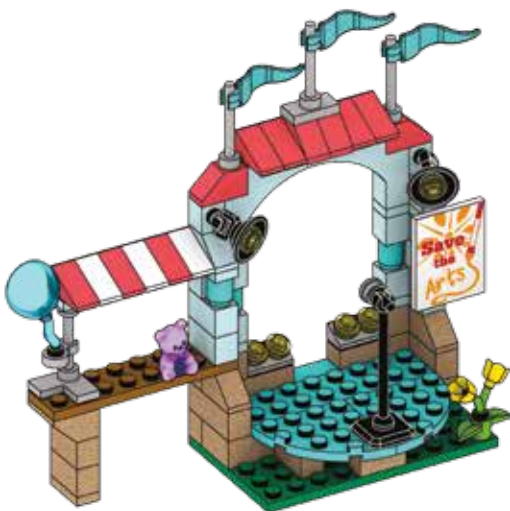


4



# GREAT JOB!

Let's get this festival started!





# CREATE YOUR STORY

You can create even more American Girl stories online.  
Build your own stories and discover what other girls have  
created. Because together, we build beyond!

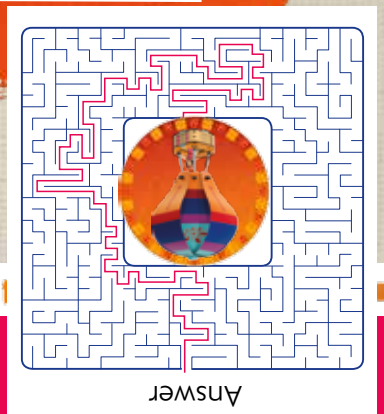
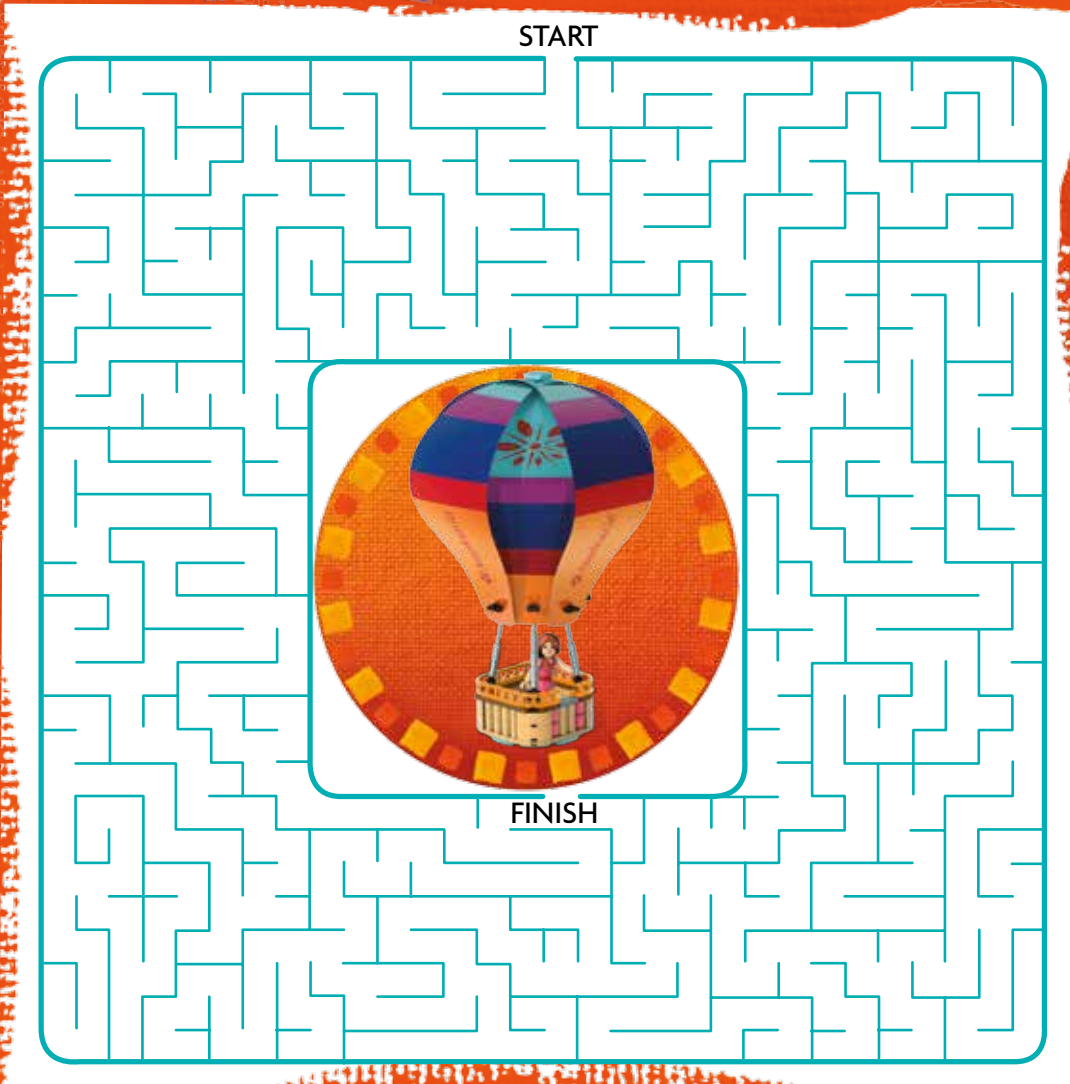




# SAIGE'S ACTIVITIES

## Balloon Maze

Find your way to the center of the maze for a front-row seat at the balloon launch!





## Color It In

Sometimes Saige experiments with color in her paintings. Your horse could look realistic ... or it could be bright colors, like turquoise blue and lime green!



## Saige and You

Learn how you and Saige are alike—and how you're different! Finish the sentences. There are no right or wrong answers!

1. Saige likes the view from her father's hot-air balloon. The view I'd like to see from a balloon is ...

- the mountains.
- the desert.
- the ocean.
- a city.

2. Saige goes to the balloon festival every year. I would most like to visit ...

- a balloon festival.
- a music festival.
- a food festival.
- the world's biggest toy festival.

3. Saige paints. When I feel creative, I like to ...

- paint or draw.
- take photos.
- play an instrument or sing.
- write.
- do something else! I like to \_\_\_\_\_.

4. Saige can draw horses that look real! Here are three things I am good at:

1. \_\_\_\_\_.
2. \_\_\_\_\_.
3. \_\_\_\_\_.

- 2x AM72953AST
- 14x MA1113ZD
- 2x MA1113APG
- 2x MA1113RQ
- 1x AM18560APG
- 1x AM08417APG
- 1x AM76558ASU
- 1x MA12251APG
- 4x MA1312F
- 15x AM76060F
- 6x MA19617F
- 4x MA74397ASU
- 1x AM19158F
- 1x AM78722JS
- 1x M0910AAV
- 1x M0910VWH
- 12x MA0910RQ
- 3x MA0910ASU
- 6x MA0910E
- 4x MA0910AMC
- 2x MA07223ASU
- 4x MA03328AWG
- 1x MA03328E
- 4x MA03328MY

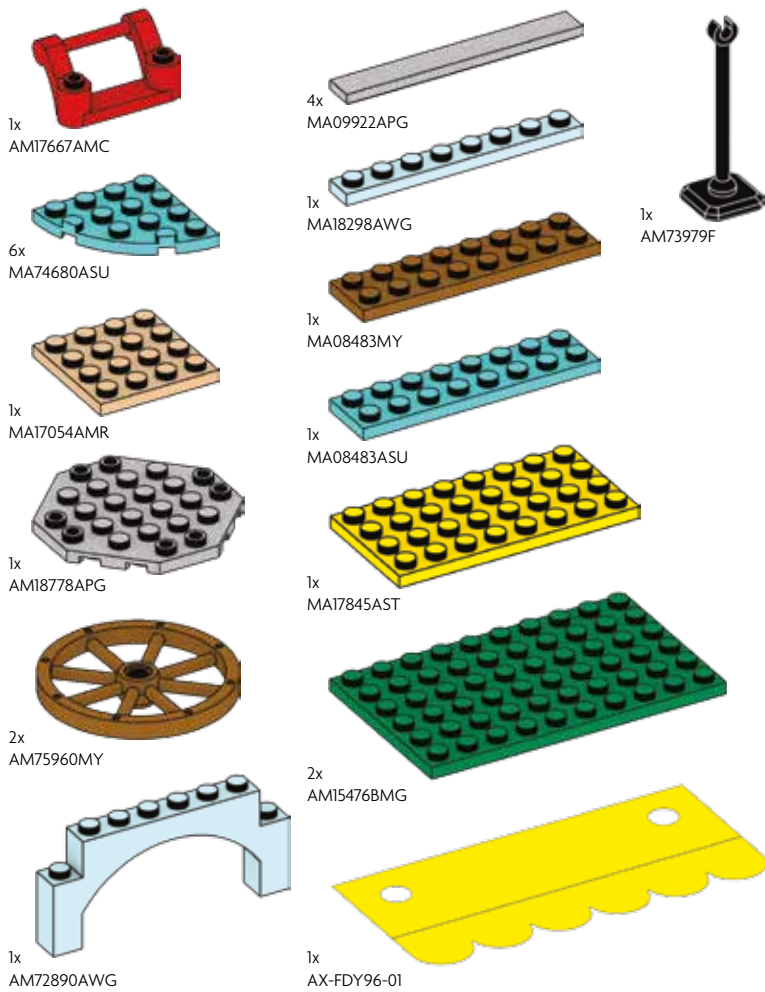
- 1x MA18623F
- 1x AM18591E
- 6x AM15486JU
- 3x MA07629AWG
- 1x MA07629BLG
- 4x MA04430AMC
- 7x MA04430E
- 7x MA04430RQ
- 6x MA1322AGP
- 2x MA1322AWG
- 4x MA1322RQ
- 6x MA022501BLG
- 1x MA022501ASU
- 2x MA07590APG
- 3x MA16680APG
- 2x MA09393AWG
- 4x MA09393APG
- 2x MA09393E
- 1x MA09393MY
- 1x MA09393AGP

- 1x MA07228BLG
- 1x AM78726JS
- 4x AM72090F
- 2x AM77177APG
- 4x MA09835ASU
- 2x AM18272APG
- 2x MA18549AMC
- 10x MA09013AGP
- 4x MA09013AWG
- 11x MA09013E
- 2x AM18601APG
- 2x AM18601ASU
- 14x MA1133AMR
- 2x AM74016F
- 2x AM72957RQ
- 1x AS-FDY96-05
- 1x AS-FDY96-07
- 4x MA17506F
- 2x MA17506APG
- 4x MA72233APG

- 4x AM74106APG
- 1x AM74428APG
- 4x AM16972MY
- 12x MA15484APG
- 2x MA17153AWG
- 4x MA17153APG
- 2x MA17153E
- 1x AS-FDY96-04
- 1x AM17672AST
- 2x MA1320RQ
- 1x MA09267BLG
- 2x AM73009ASU
- 4x MA03773APG
- 1x MA18329AST
- 1x MA09268BLG
- 1x AM01495APG

- 2x MA09023AGP
- 2x MA09023APG
- 1x MA1154AGP
- 8x MA02212AMR
- 6x MA16384AGP
- 2x MA16384BLG
- 4x AM77415JU
- 2x MA09838AMC
- 3x MA09593BLG
- 4x MA09593AMC
- 6x MA1087AGP
- 2x AS-DPK83-06
- 4x MA09493AMR
- 1x MA09033AGP
- 1x AM16912BLG
- 2x AM03324AMR
- 2x AM03323AMR

- 1x AM17118ASU
- 4x AM18593APG
- 4x AM72089APG
- 3x AM16450ASU
- 1x AM17711AAV
- 2x MA07475BLG
- 4x MA07475MY
- 2x MA09292MY
- 1x MA09292APG
- 1x MA09292RQ
- 1x AS-FDY96-03
- 1x AM19648W
- 1x AS-FDY96-01
- 1x AS-FDY96-02
- 1x AS-FDY96-06
- 1x AM77225ATT



1x  
AM17667AMC

4x  
MA09922APG

1x  
AM73979F

6x  
MA74680ASU

1x  
MA18298AWG

1x  
MA08483MY

1x  
MA17054AMR

1x  
MA08483ASU

1x  
AM18778APG

1x  
MA17845AST

2x  
AM75960MY

2x  
AM15476BMG

1x  
AM72890AWG

1x  
AX-FDY96-01



1x  
FIG-FDY96-A



1x  
FIG-FDY96-B

**WARNING:**  
CHOKING HAZARD. - Small parts.  
Not for children under 3 years.



Please read these instructions carefully before first use and keep them for future reference.

© 2016 American Girl. All rights reserved.  
All American Girl marks are trademarks of American Girl.

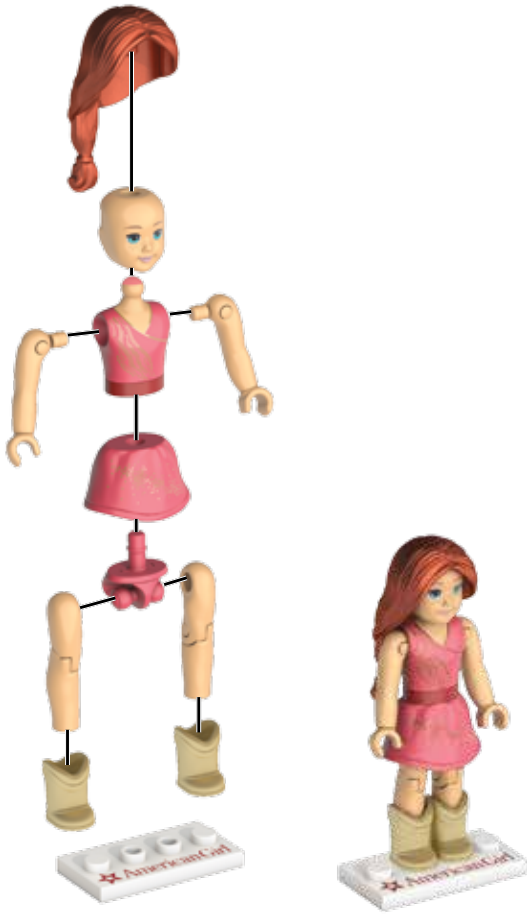
P D714, 887



2x  
AS-FDY96-08

2x  
AS-FDY96-09





Collect them all!

Lea™



FDY98



FDY88

Mia™



FDY90

Isabelle™



FDY95

McKenna™



FDY97

Grace™

Each sold separately and subject to availability.



# MEGA CONSTRUX™

Build Beyond™

Au-delà de la  
construction!

¡Construye sin límites!

Mais do que Construção!

Costruisci oltre ogni limite!

Es gibt keine Grenzen!

Więcej niż budowanie!

Meer dan alleen bouwen!

Больше, чем конструктор!

Χτίσε έναν ολόκληρο κόσμο!

Hayallerini İnşa Et!

لنبني .. وأكثر!



©2016, MEGA Brands Inc. &™ MEGA Brands Inc.  
CONSTRUX™ is owned by Mattel and used under license.  
Printed in Canada D-FDY96-DOM08



[play.megaconstrux](http://play.megaconstrux)

