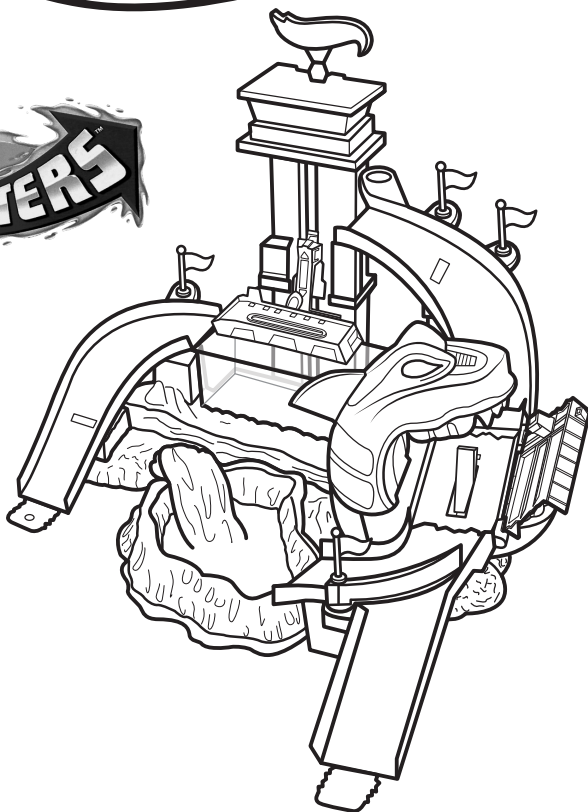


INSTRUCTIONS



WARNING:

CHOKING HAZARD – Small parts.

Not for children under 3 years.

NOT FOR USE WITH SOME HOT WHEELS® VEHICLES.

4+

service.mattel.com

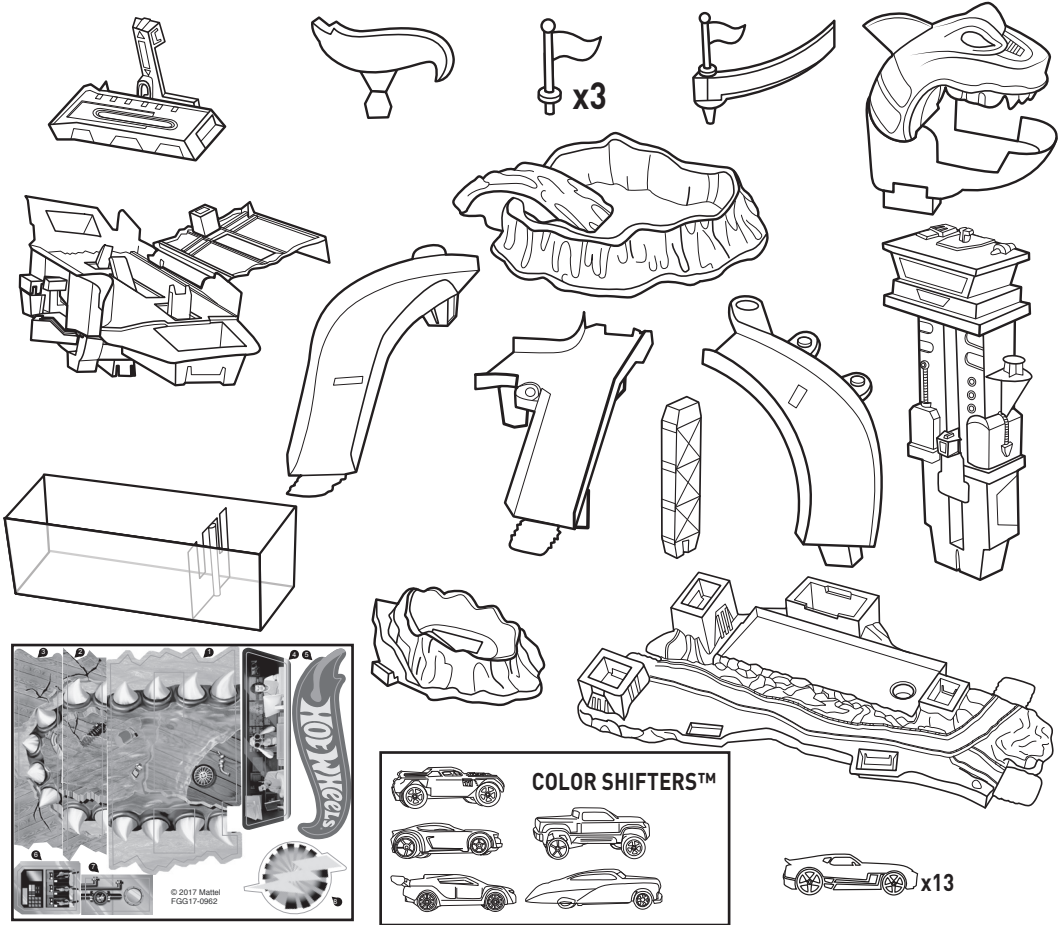
HOTWHEELS.COM



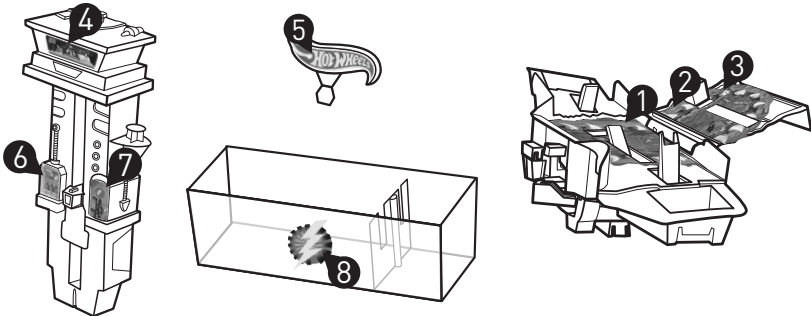
FGG17-0970
1101422540-DOM

PLEASE KEEP THESE INSTRUCTIONS FOR FUTURE
REFERENCE AS THEY CONTAIN IMPORTANT INFORMATION.

CONTENTS

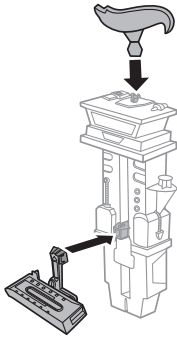


APPLY LABELS

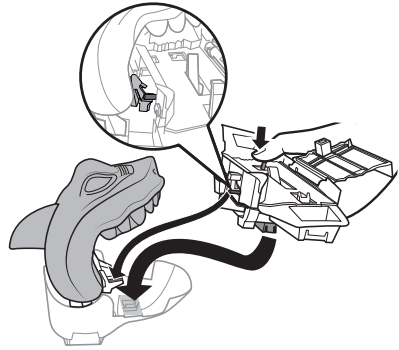


ASSEMBLY

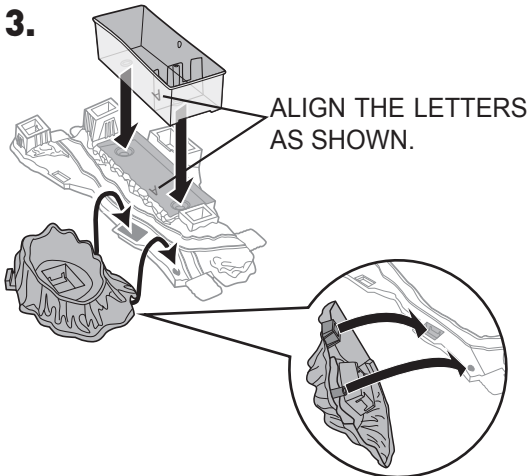
1.



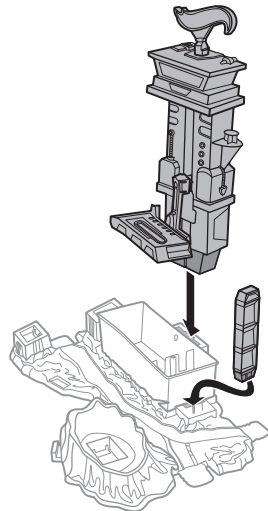
2. PRESS LEVER TO EXPOSE THE ROUND TAB AND CONNECT IT TO THE SHARK AS SHOWN.



3.



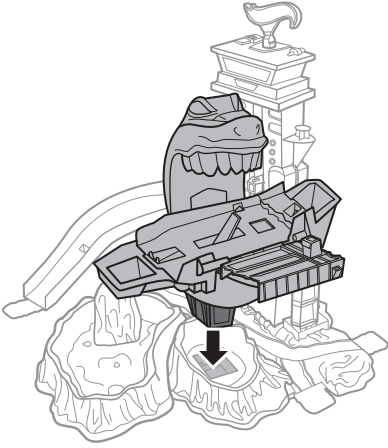
4.



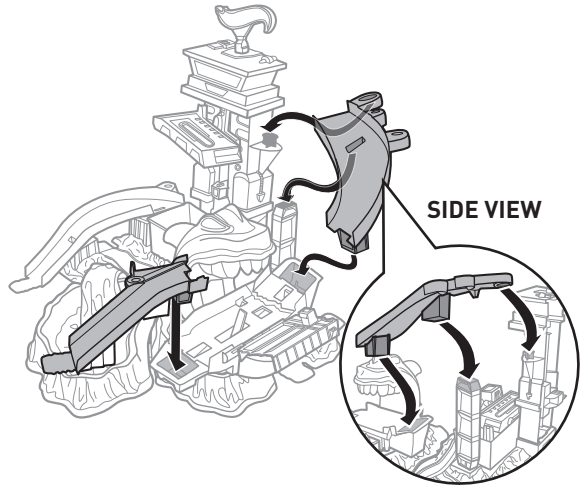
5.



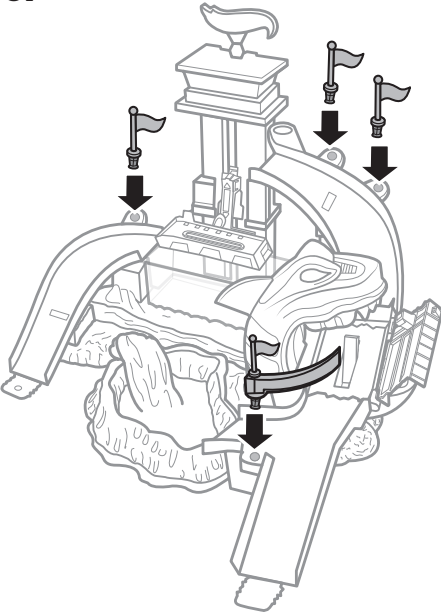
6.



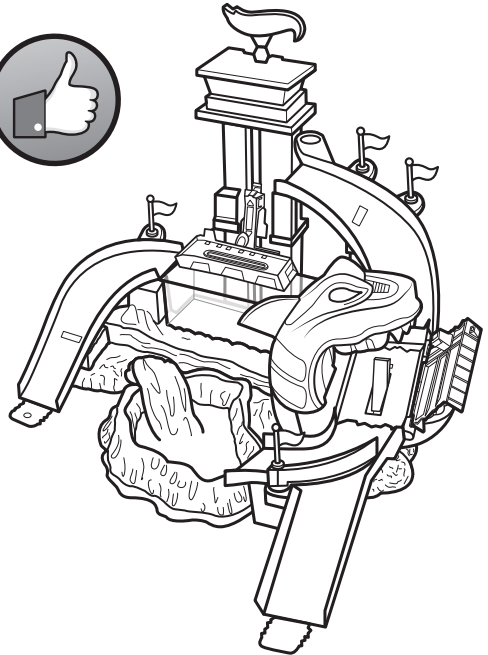
7.



8.

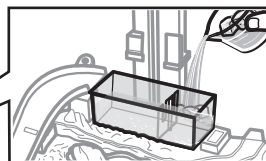
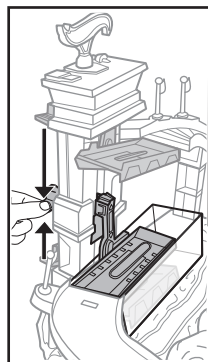


9.



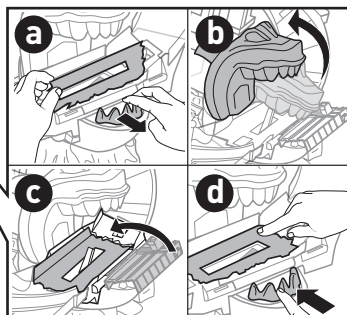
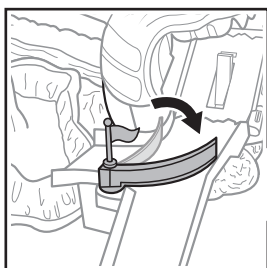
GET READY TO PLAY

- Fill water to top of container for best performance.
- Overfilling of reservoir may cause leakage.
- To avoid burns do not use water that is too hot, above 120°F (48°C).
- Water toys sometimes get messy. Protect play surfaces before use.
- For best performance of color change feature, please use icy water under 50°F (10°C).



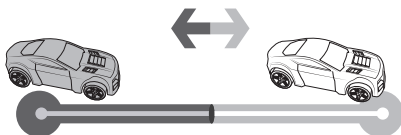
ICY WATER
Under 50°F (10°C)

WARM WATER
86°F (30°C) - 104°F (40°C)



FEATURING:

TWO-COLOR CHANGE!



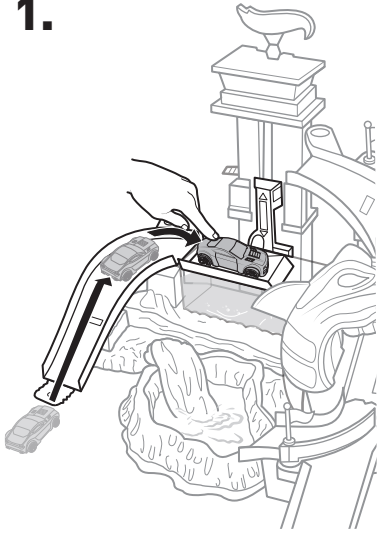
ICY WATER
Under 50°F (10°C)

WARM WATER
86°F (30°C) - 104°F (40°C)

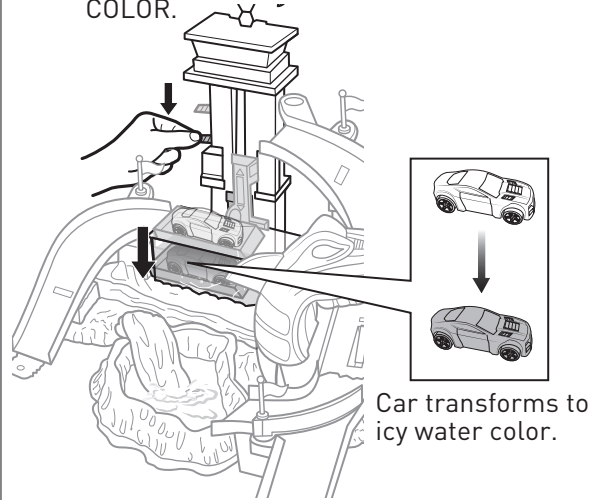
COLOR CHANGE ONLY WORKS WITH COLOR SHIFTERS™ VEHICLES.

TO PLAY (A)

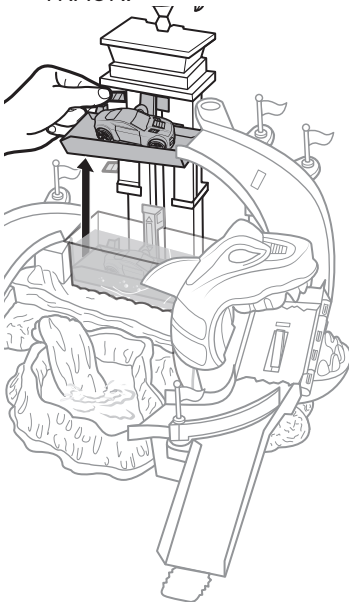
1.



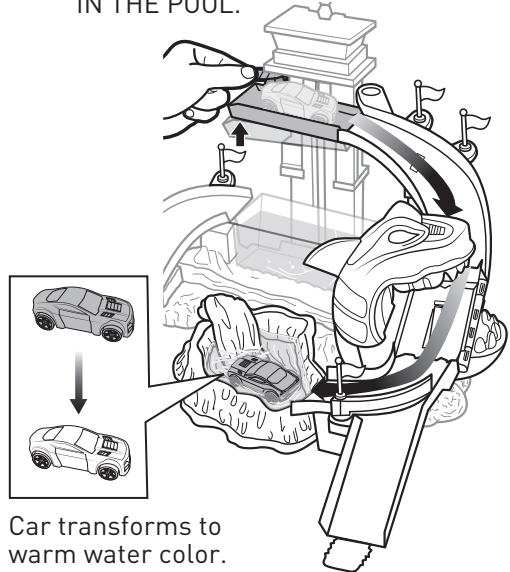
2. LOWER INTO DUNK TANK TO CHANGE COLOR.



3. LIFT AND RELEASE ONTO TRACK.



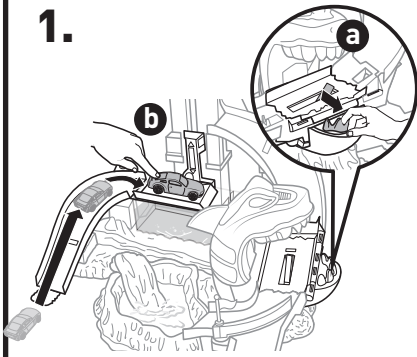
4. SPEED BY THE SHARK TO CHANGE COLOR IN THE POOL.



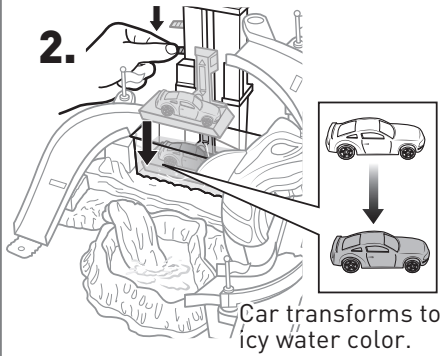
- Color change will last longer if you do not expose this toy to intense heat or direct sunlight for prolonged periods of time.
- Drain, rinse, clean and dry all items thoroughly before storing. Do not immerse set in water.

TO PLAY (B)

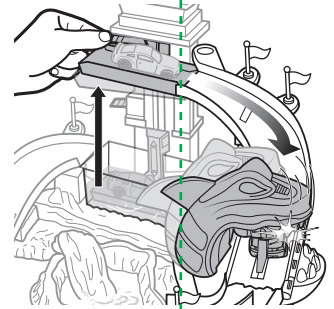
1.



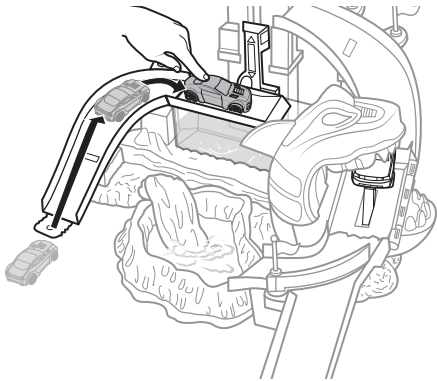
2.



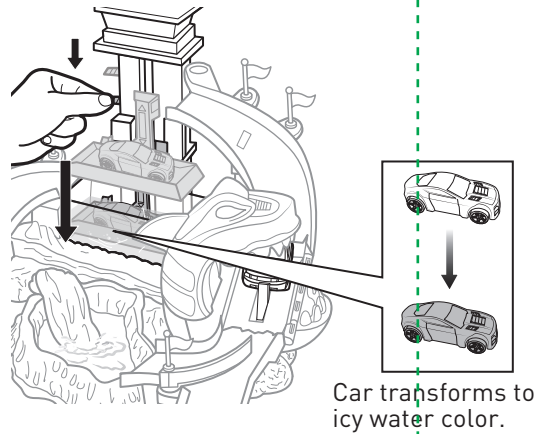
3. IF SHARK CAPTURES CAR...



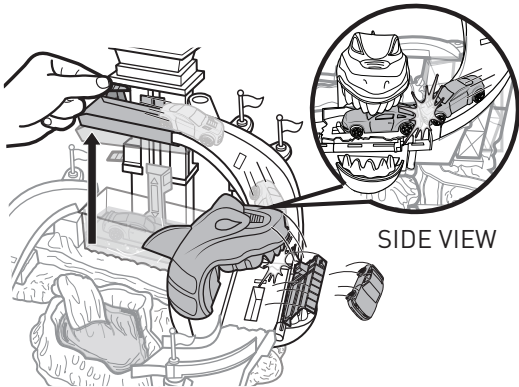
4. SEND ANOTHER CAR TO THE RESCUE!



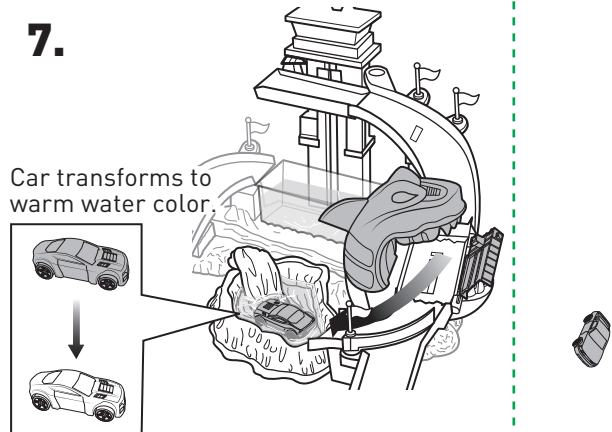
5.



6. HIT LEVER TO RELEASE CAPTURED CAR!

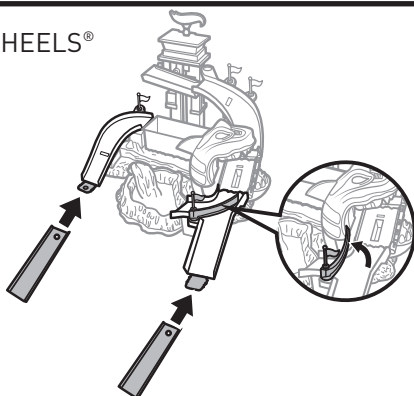


7.



MORE WAYS TO PLAY

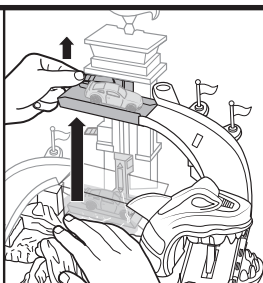
CONNECTS TO OTHER HOT WHEELS® SETS (SOLD SEPARATELY).



PERFORMANCE TIPS

Q. The car lift keeps jamming. Can it move more smoothly?

A. Hold the set down with your other hand and the car lift will move up and down smoothly.



Q. Why won't the shark's mouth stay up and open?

A. To keep the mouth open, make sure the lower teeth have been pulled outward before lifting.

