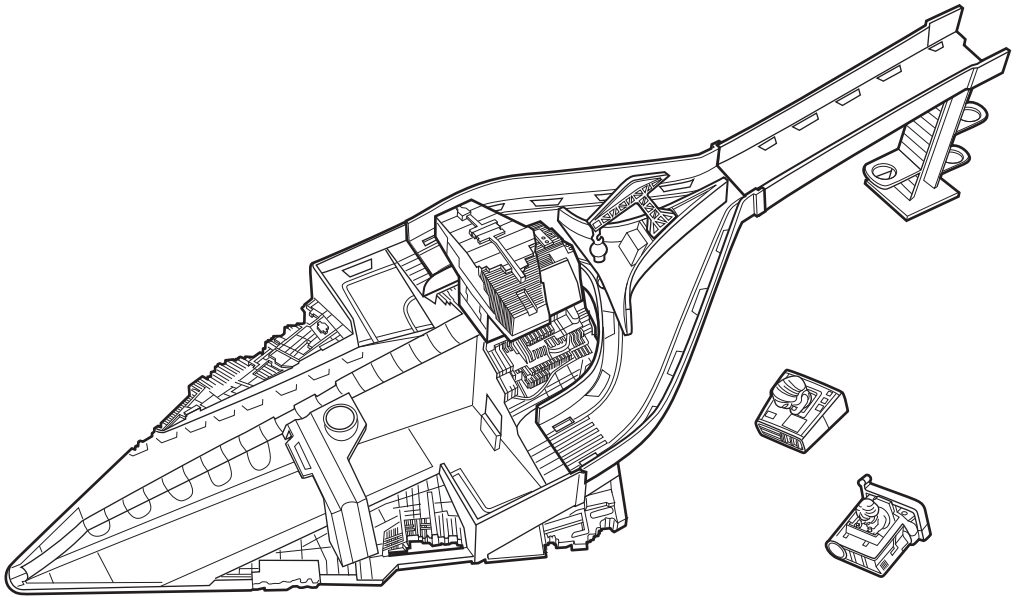




# STAR WARS™

## STAR DESTROYER™ SLAM & RACE LAUNCHER



**4-8**



[starwars.com](http://starwars.com)  
© & ™ Lucasfilm Ltd.  
[service.mattel](http://service.mattel)

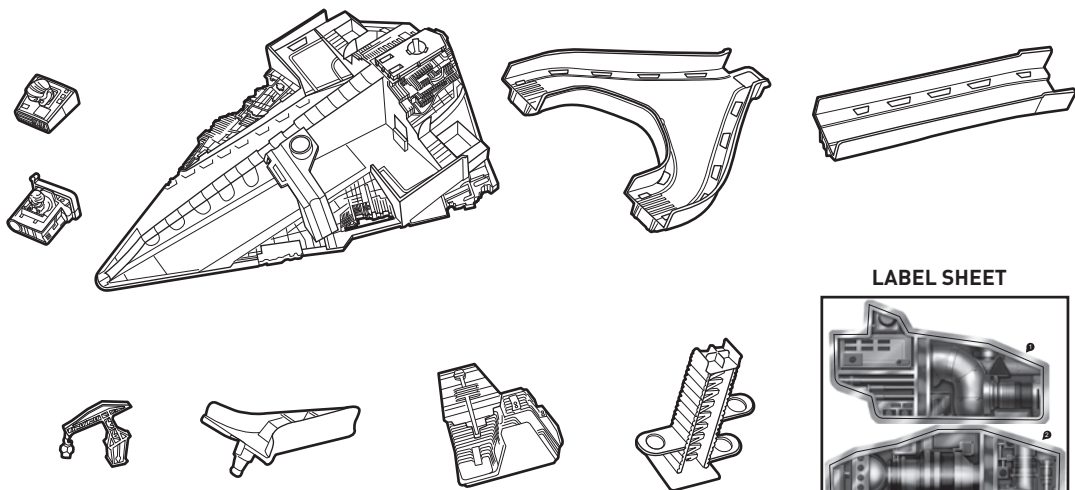
Speed through the galaxy at  
[www.hotwheels.com/starwars](http://www.hotwheels.com/starwars)



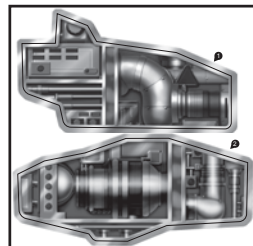
FJF10-0970  
1101571167-D0M

WORKS BEST WITH HOT WHEELS® STAR WARS™ BATTLE ROLLERS STARSHIPS.  
INCLUDES 2 VEHICLES. ADDITIONAL VEHICLES SOLD SEPARATELY.  
PLEASE KEEP THESE INSTRUCTIONS FOR FUTURE  
REFERENCE AS THEY CONTAIN IMPORTANT INFORMATION.

# CONTENTS

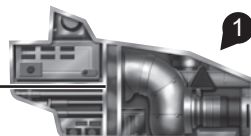
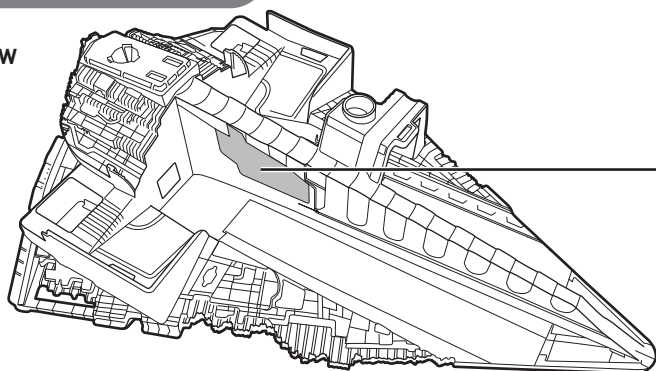


LABEL SHEET

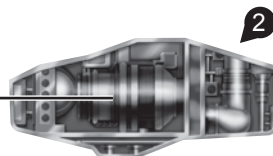
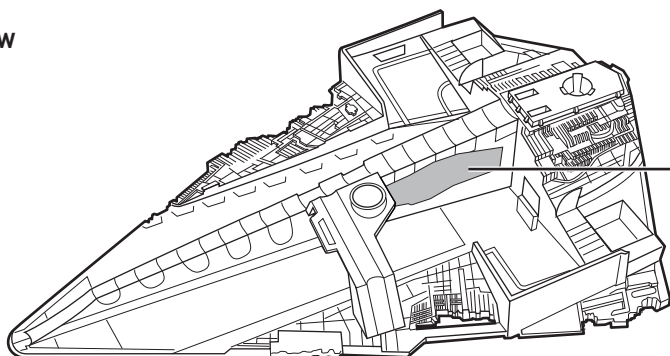


# APPLY LABELS

RIGHT VIEW

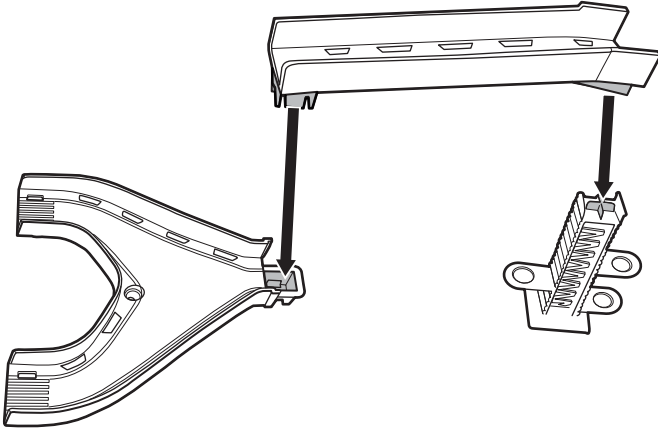


LEFT VIEW

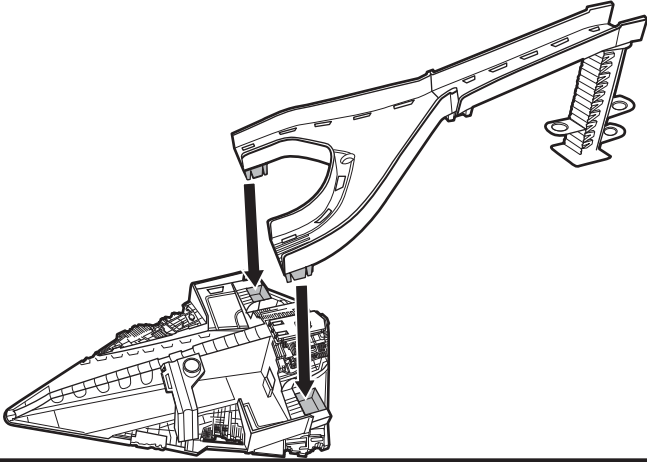


# ASSEMBLY

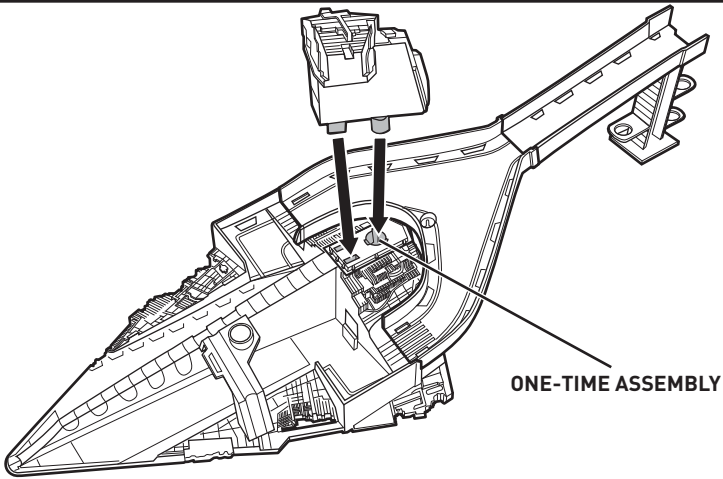
1.



2.

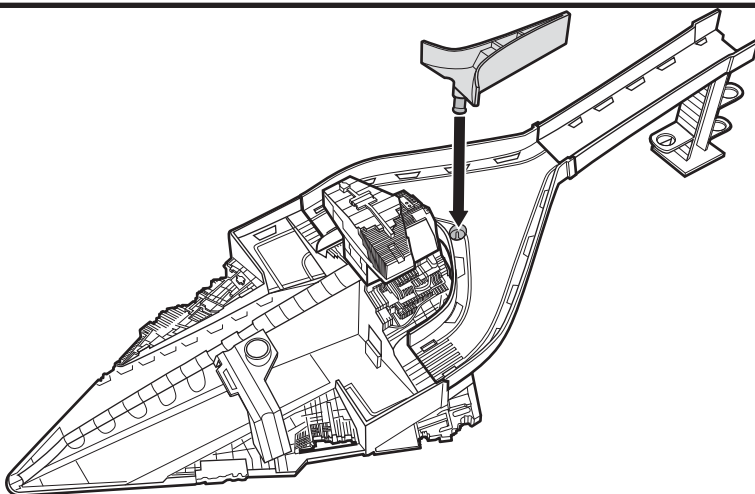


3.

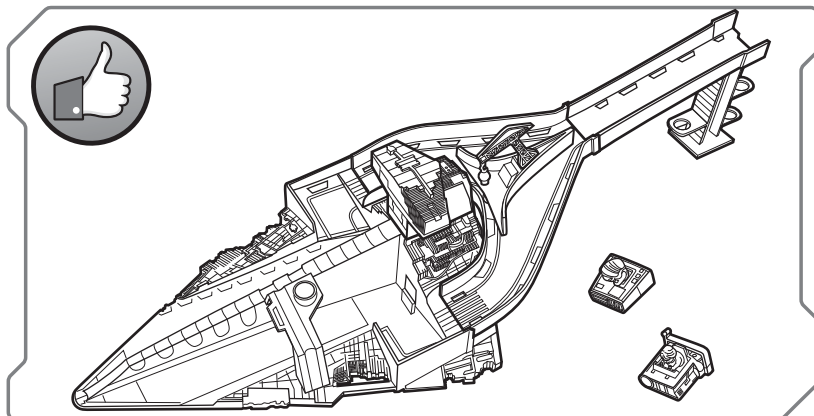
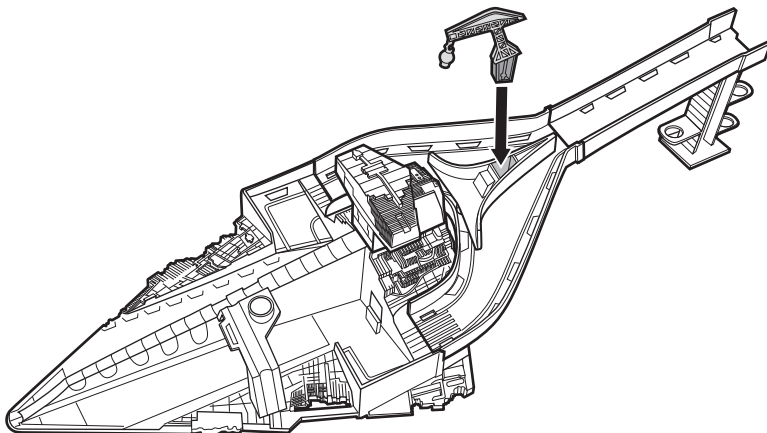


# ASSEMBLY (CONTINUED)

4.

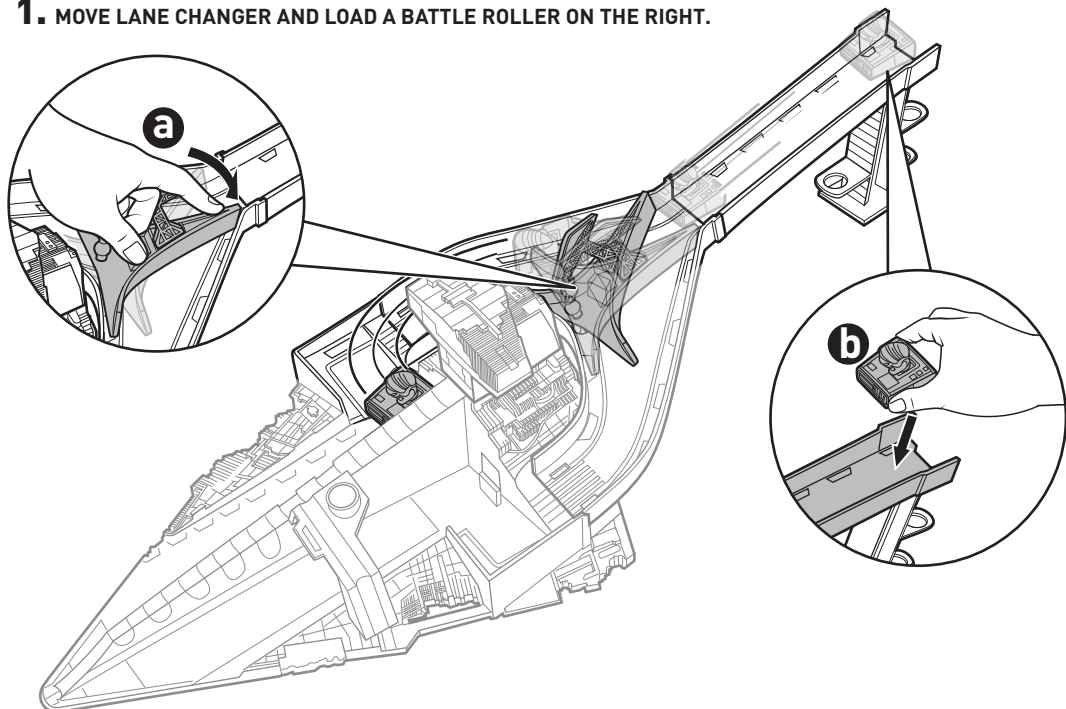


5.

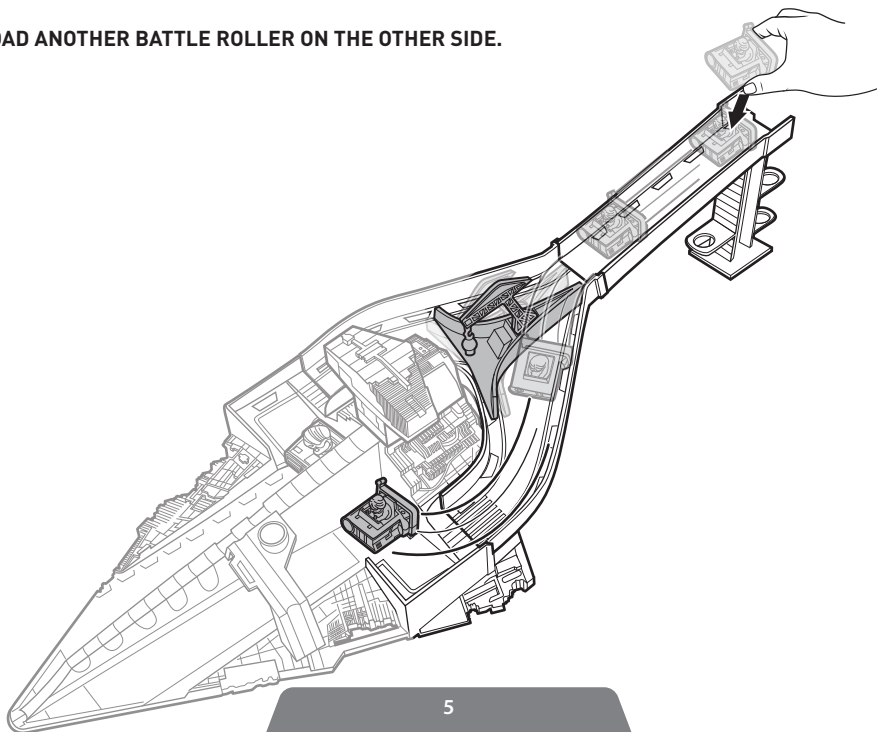


# TO PLAY

1. MOVE LANE CHANGER AND LOAD A BATTLE ROLLER ON THE RIGHT.

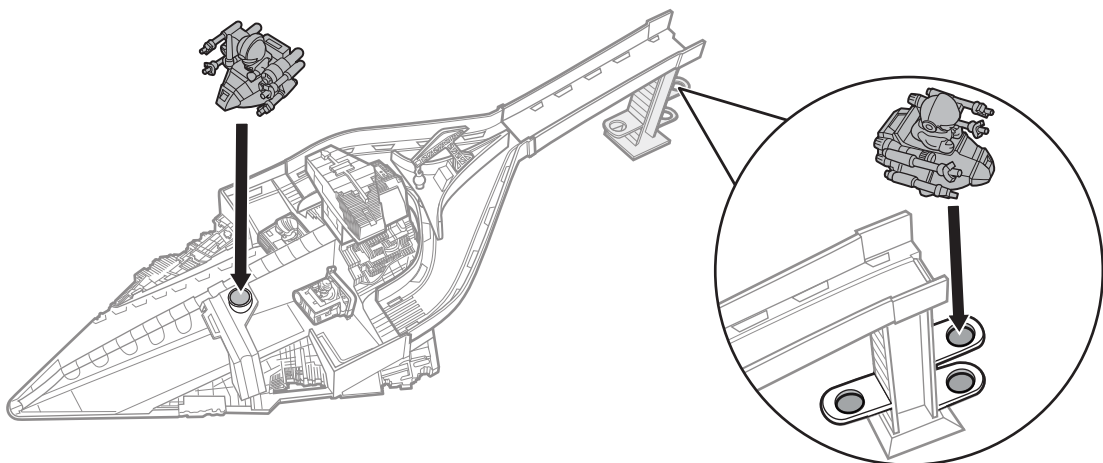


2. LOAD ANOTHER BATTLE ROLLER ON THE OTHER SIDE.

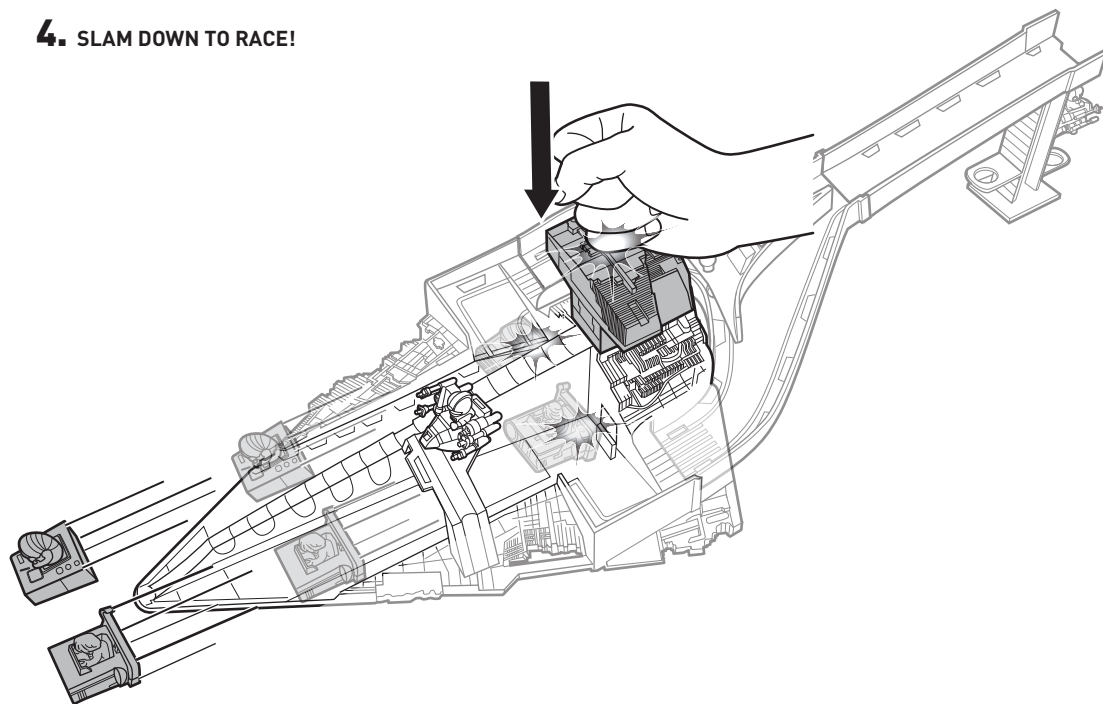


# TO PLAY (CONTINUED)

## 3. LOAD STANDS WITH ADDITIONAL BATTLE ROLLERS TO WITNESS THE EPIC RACE!



## 4. SLAM DOWN TO RACE!



©2017 Mattel. All Rights Reserved. © and ™ designate U.S. trademarks of Mattel, except as noted. Mattel, Inc., 636 Girard Avenue, East Aurora, NY 14052, U.S.A. Consumer Services 1-800-524-8697. Mattel U.K. Ltd., Vanwall Business Park, Maidenhead SL6 4UB. Helpline 01628 500303. Mattel Australia Pty., Ltd., Richmond, Victoria. 3121. Consumer Advisory Service - 1300 135 312. Mattel South Africa (PTY) LTD, Office 102 I3, 30 Melrose Boulevard, Johannesburg 2196. Mattel East Asia Ltd., Room 503-09, North Tower, World Finance Centre, Harbour City, Tsimshatsui, HK, China. Tel.: (852) 3185-6500. Diimport & Diedarkan Oleh: Mattel Southeast Asia Pte. Ltd., No 19-1, Tower 3 Avenue 7, Bangsar South City, No 8, Jalan Kerinchi, 59200 Kuala Lumpur, Malaysia. Tel: 03-33419052.