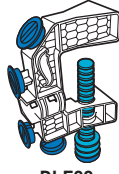


HERE'S WHAT ELSE YOU CAN GET:

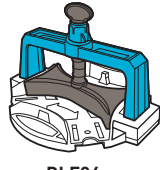
ADVERTISEMENT



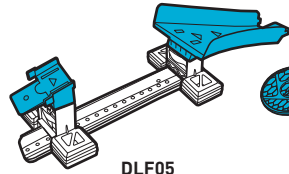
DLF02
HANG IT!



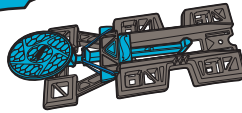
DLF03
CLAMP IT!



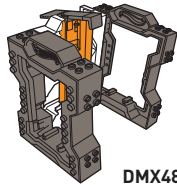
DLF04
SWITCH IT!



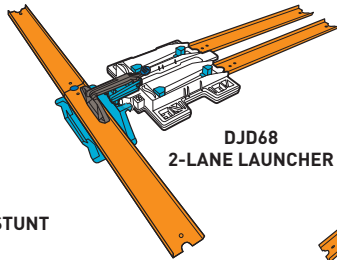
DLF05
JUMP IT!



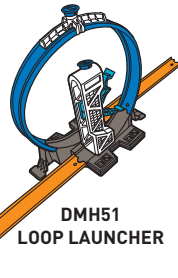
DLF06
LAUNCH IT!



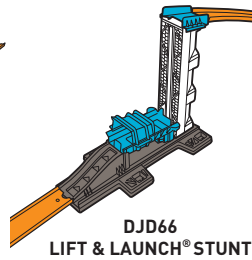
DMX48
TRICK BRICK™ STUNT



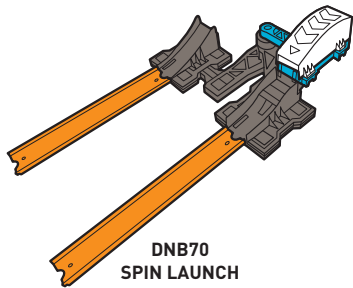
DJD68
2-LANE LAUNCHER



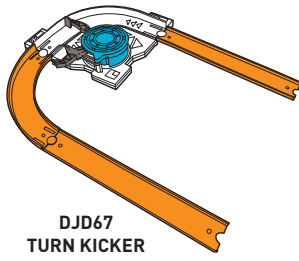
DMH51
LOOP LAUNCHER



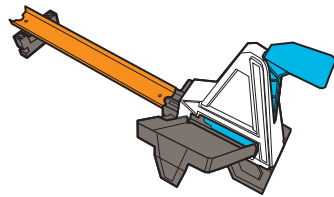
DJD66
LIFT & LAUNCH® STUNT



DNB70
SPIN LAUNCH



DJD67
TURN KICKER



DWW94
RAPID LAUNCHER

EACH SOLD SEPARATELY, SUBJECT TO AVAILABILITY. COLORS AND DECORATIONS MAY VARY.

©2017 Mattel. All Rights Reserved. Mattel, Inc., 636 Girard Avenue, East Aurora, NY 14052, U.S.A. Consumer Services 1-800-524-8697. Mattel U.K. Ltd., Vanwall Business Park, Maidenhead SL6 4UB. Helpline 01628 500303. Mattel Australia Pty., Ltd., Richmond, Victoria, 3121. Consumer Advisory Service - 1300 135 312. Mattel East Asia Ltd., Room 503-09, North Tower, World Finance Centre, Harbour City, Tsimshatsui, HK, China. Tel.: (852) 3185-6500. Diimport & Diedarkan Oleh: Mattel Southeast Asia Pte. Ltd., No 19-1, Tower 3 Avenue 7, Bangsar South City, No 8, Jalan Kerinchi, 59200 Kuala Lumpur, Malaysia. Tel: 03-78803817, Fax: 03-78803867.

HOTWHEELS TRACK BUILDER SYSTEM

BUILDER'S GUIDE



5+

service.mattel.com
HOTWHEELS.COM



HANG ON TO THIS GUIDE, IT HAS KEY
INFORMATION TO BUILD RAD STUNTS!

WARNING:
CHOKING HAZARD - Small parts.
Not for children under 3 years.



FJJ96-0970
1101521225-D0M



Featuring

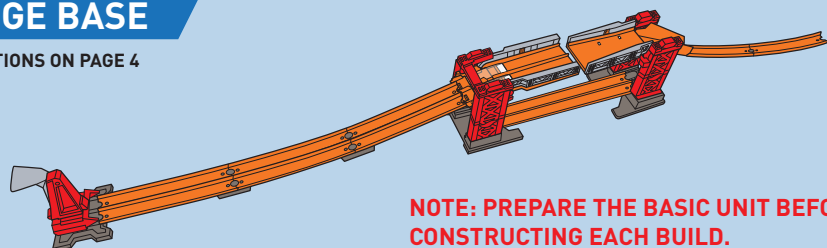
**MEGA
CONSTRUX**

STUNT BRIDGE KIT

CONGRATULATIONS. You just gained access to the unlimited world of Track Builder and now YOU are in the driving seat. Create your own outrageous stunts, experiment with speed and keep challenging yourself. Are you ready to get your wheels turning? Grab your car and go.....MAKE IT EPIC™!

BRIDGE BASE

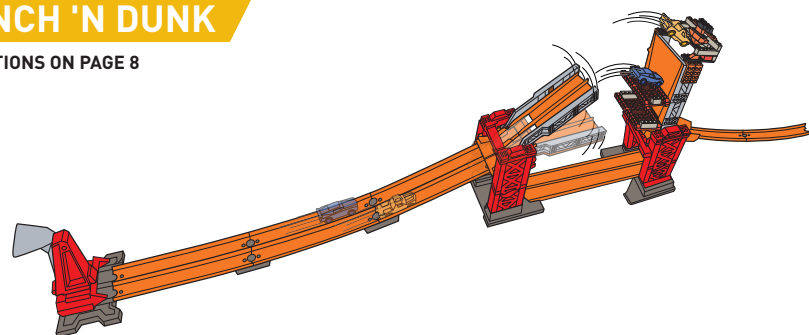
INSTRUCTIONS ON PAGE 4



NOTE: PREPARE THE BASIC UNIT BEFORE CONSTRUCTING EACH BUILD.

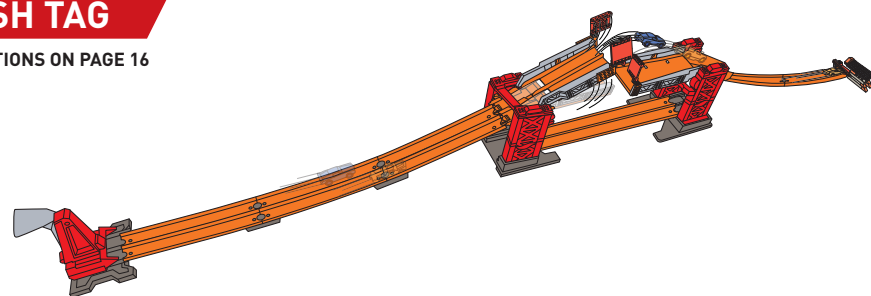
LAUNCH 'N DUNK

INSTRUCTIONS ON PAGE 8



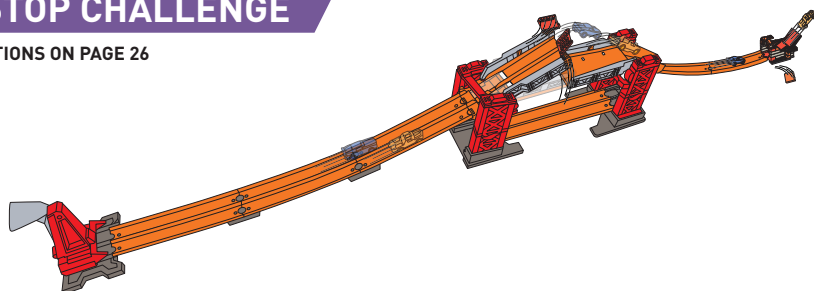
CRASH TAG

INSTRUCTIONS ON PAGE 16



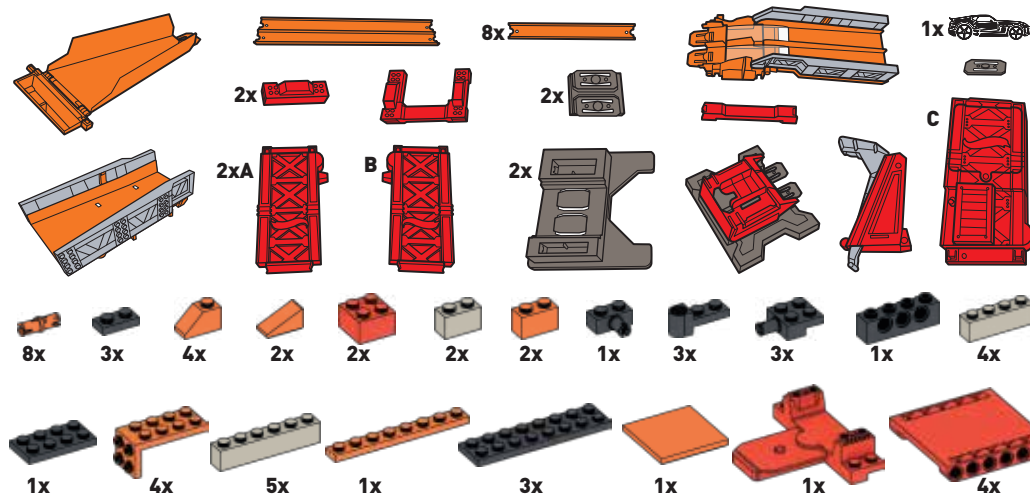
PIT STOP CHALLENGE

INSTRUCTIONS ON PAGE 26



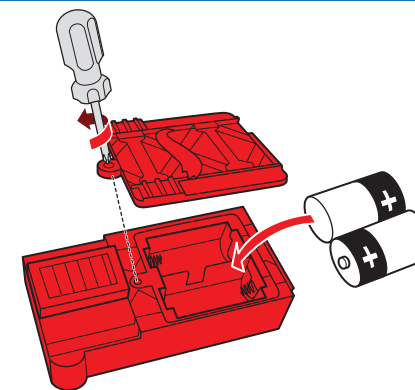
COLORS AND DECORATIONS MAY VARY. NOT FOR USE WITH SOME HOT WHEELS® VEHICLES. INCLUDES 1 VEHICLE. ADDITIONAL VEHICLES SOLD SEPARATELY.

HERE'S WHAT YOU GET



BATTERY INSTALLATION

- Requires 2 "D" size (LR20) alkaline batteries (not included).
- Unscrew the battery cover with a Phillips head screwdriver (not included).
- Install 2 new "D" size (LR20) alkaline batteries (not included) in the orientation (+/-) shown.
- Replace battery cover and tighten screws.
- For longer life use alkaline batteries.
- Replace batteries when the motor can no longer move the bridge.
- Dispose of battery(ies) safely.
- When exposed to an electrostatic source, the product may malfunction. To resume normal operation, remove and re-install the batteries.



BATTERY SAFETY INFORMATION

In exceptional circumstances batteries may leak fluids that can cause a chemical burn injury or ruin your product.

To avoid battery leakage:

- Non-rechargeable batteries are not to be recharged.
- Rechargeable batteries are to be removed from the product before being charged.
- Rechargeable batteries are only to be charged under adult supervision.
- Do not mix alkaline, standard (carbon-zinc), or rechargeable batteries.
- Do not mix old and new batteries.
- Only batteries of the same or equivalent type as recommended are to be used.
- Batteries are to be inserted with the correct polarity.
- Exhausted batteries are to be removed from the product.
- The supply terminals are not to be short-circuited.
- Dispose of battery(ies) safely.
- Do not dispose of this product in a fire. The batteries inside may explode or leak.



Protect the environment by not disposing of this product or any batteries with household waste. This symbol indicates that this product shall not be treated as household waste. Check your local authority for recycling advice and facilities.



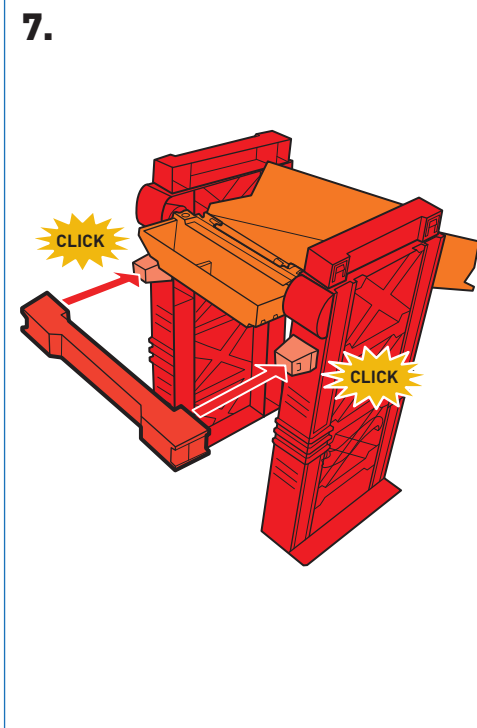
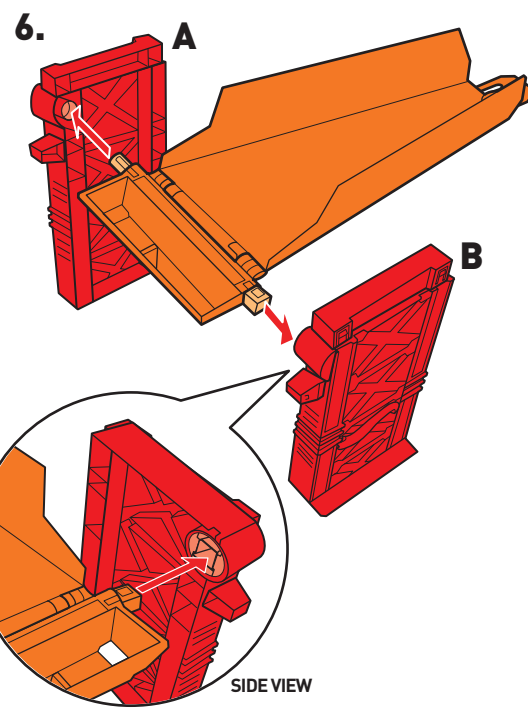
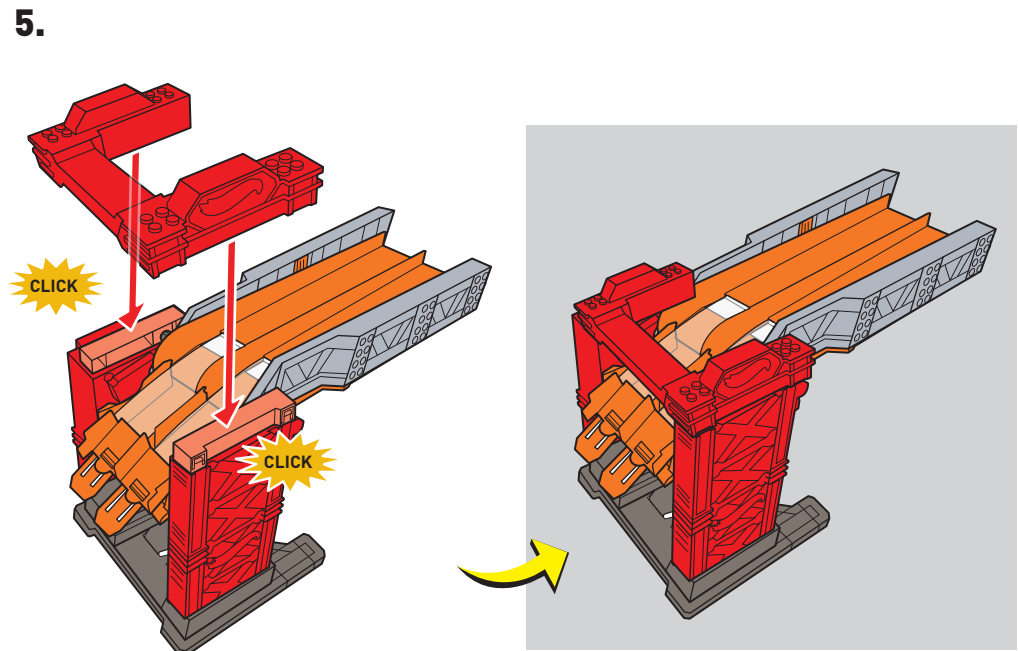
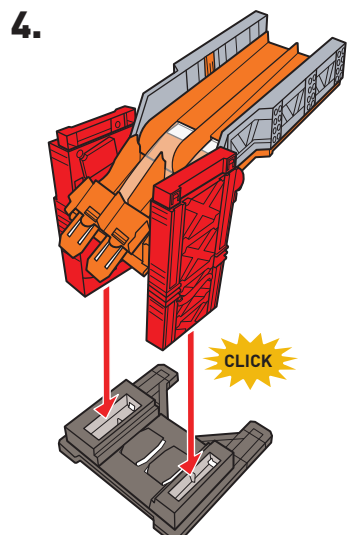
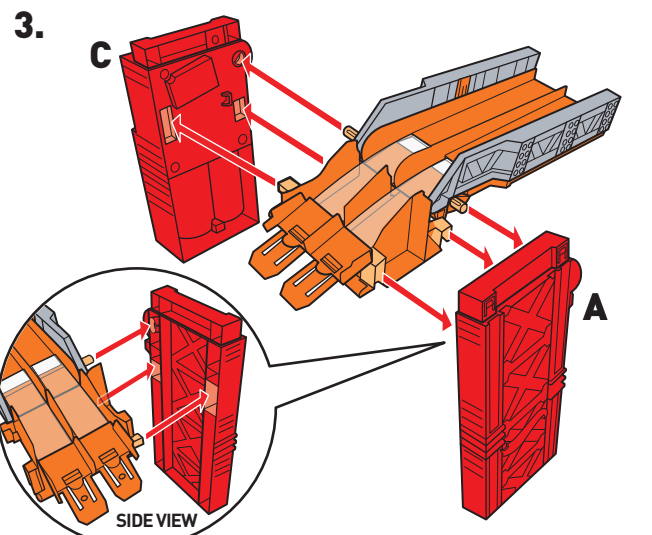
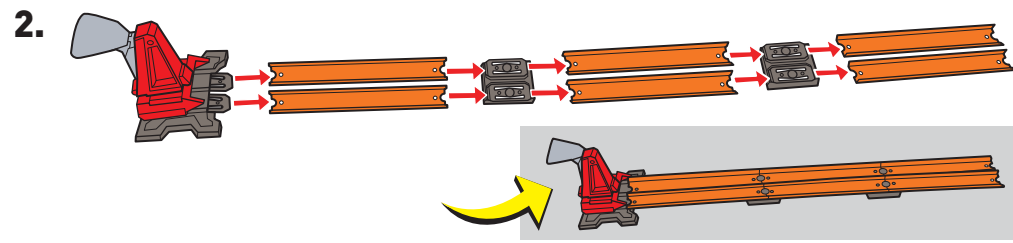
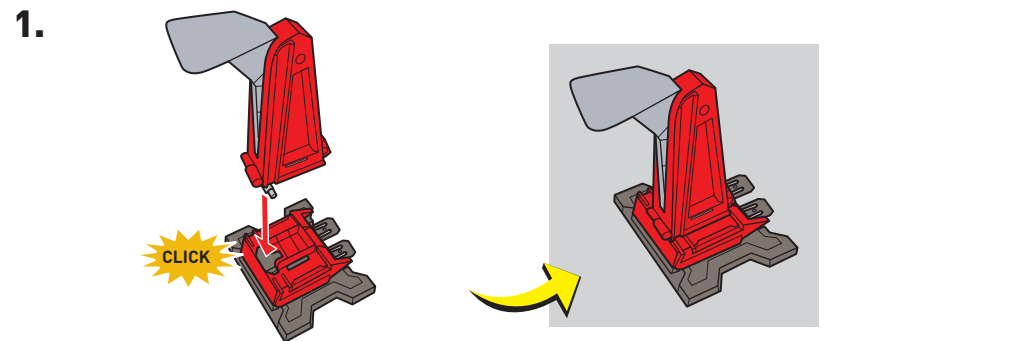
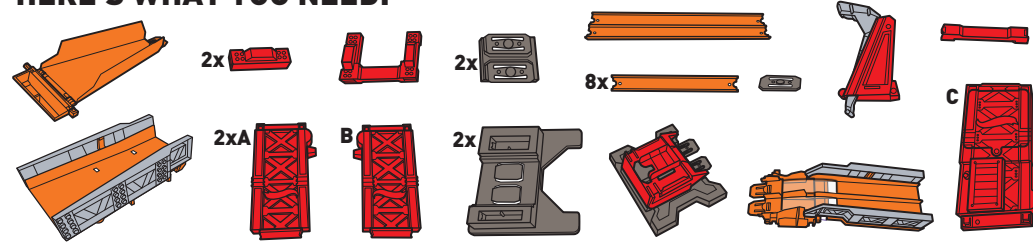
PARENTS: FOR EPIC TRACK IDEAS, HOW-TO VIDEOS AND AWESOME ENTERTAINMENT, CHECK OUT THE HOT WHEELS® YOUTUBE CHANNEL!
WWW.YOUTUBE.COM/HOTWHEELS



CREATE BRIDGE BASE

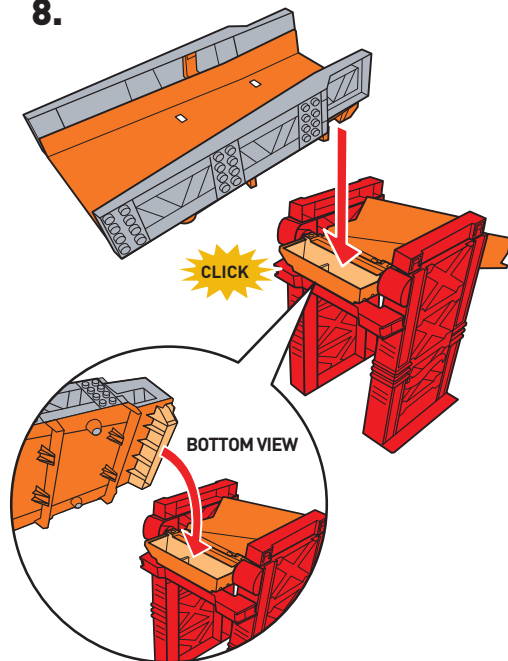
* INSTALL BATTERIES (REFER TO PAGE 3) BEFORE ASSEMBLY.

HERE'S WHAT YOU NEED:

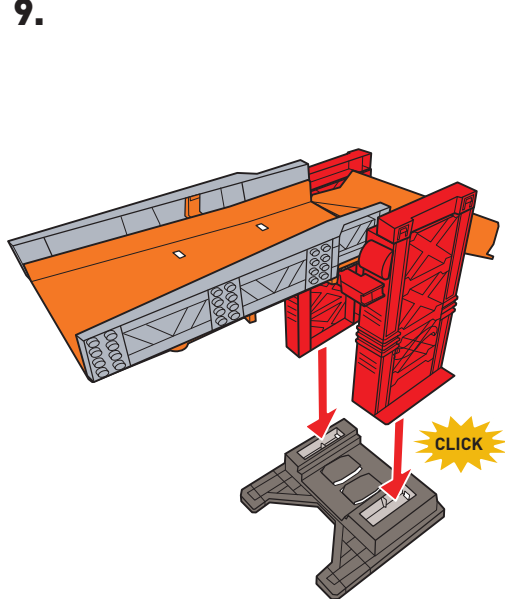


CREATE BRIDGE BASE (CONTD.)

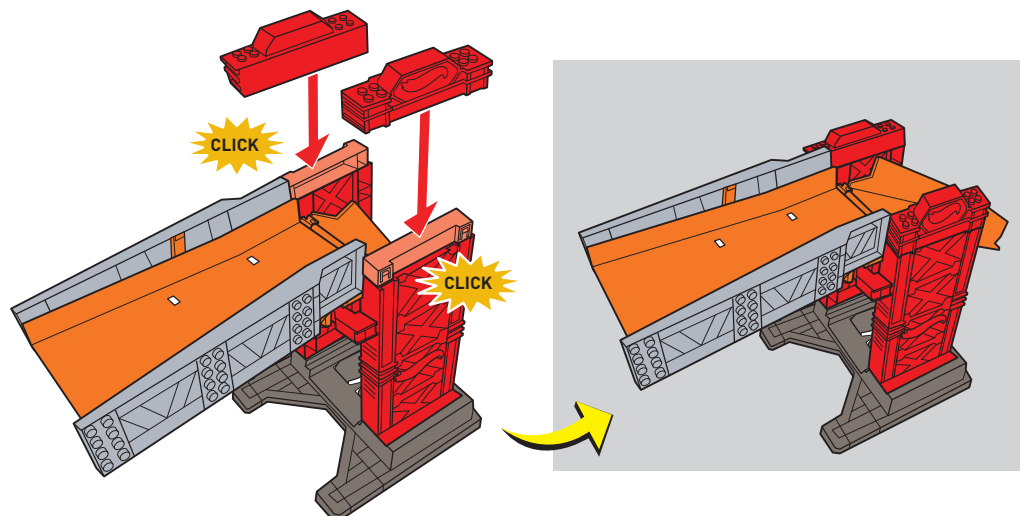
8.



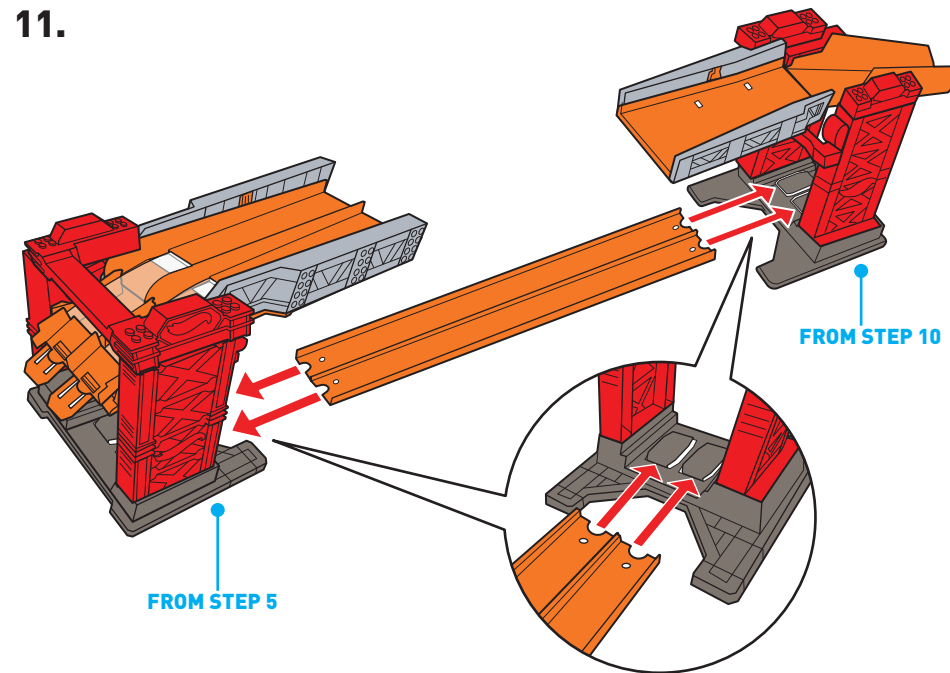
9.



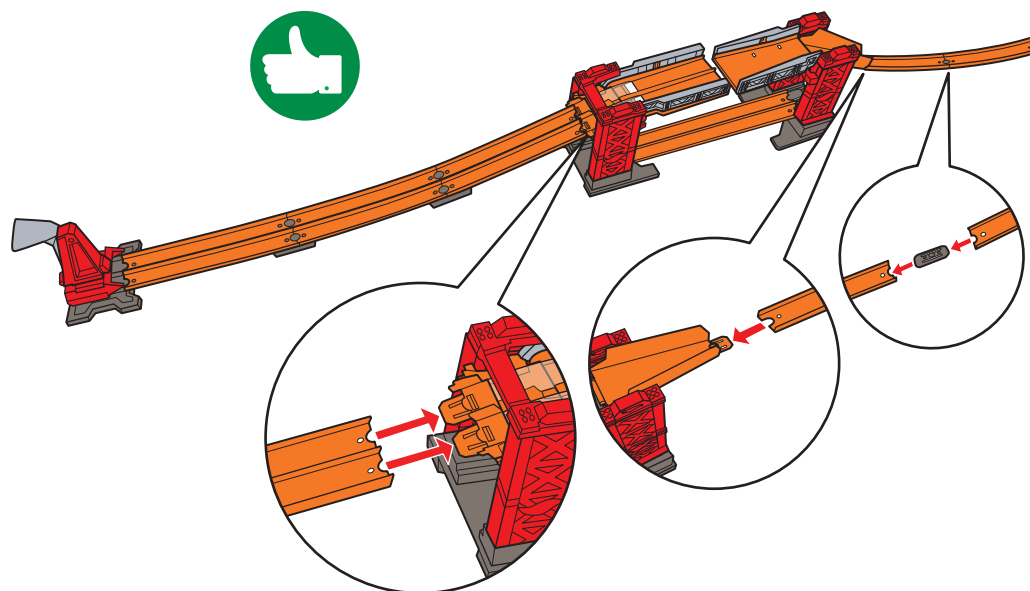
10.



11.

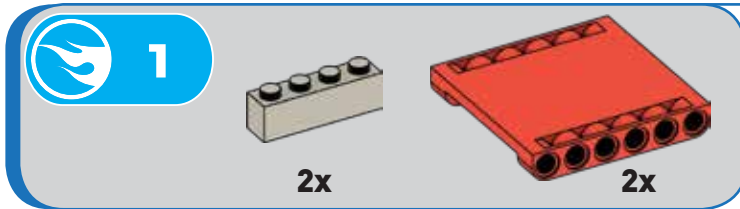
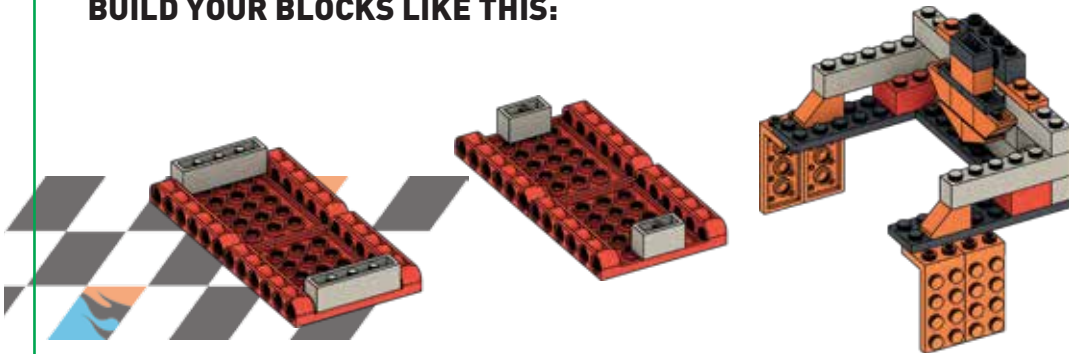


12.

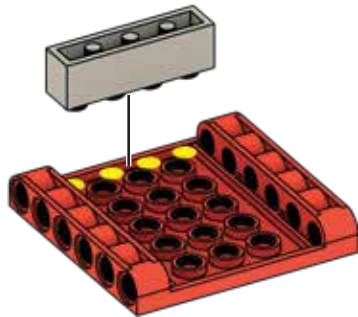


LAUNCH 'N DUNK

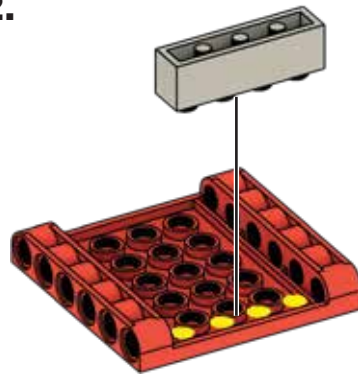
BUILD YOUR BLOCKS LIKE THIS:



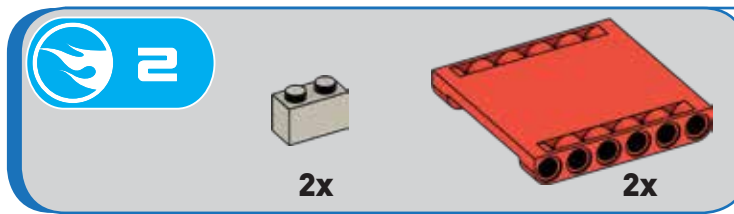
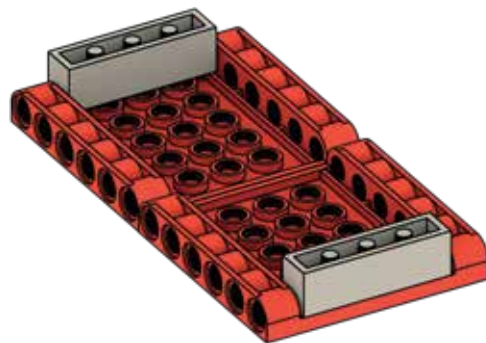
1.



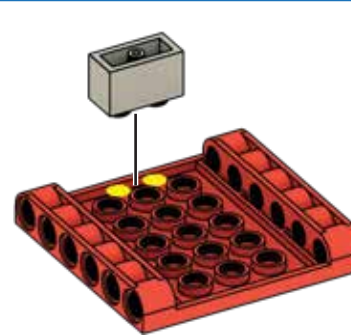
2.



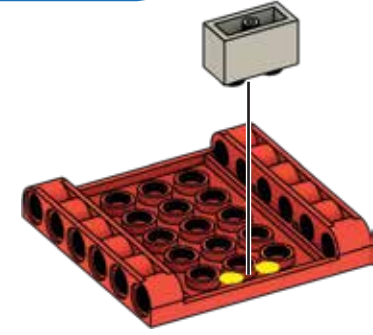
3.



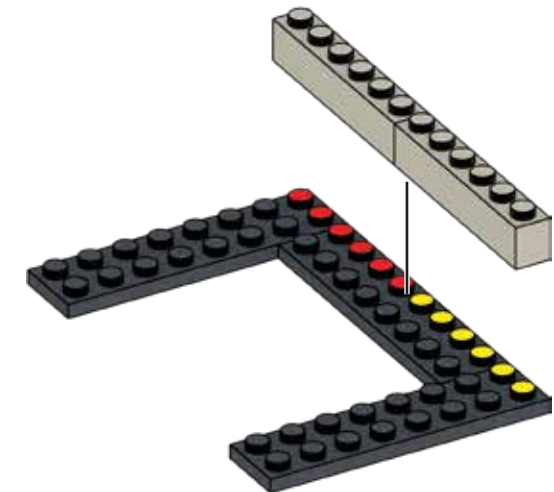
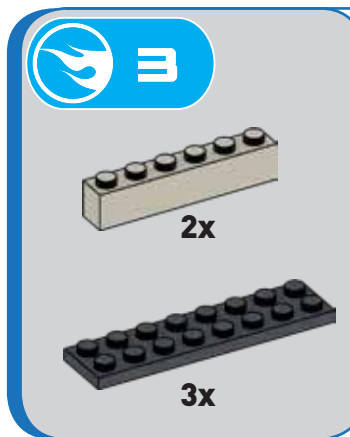
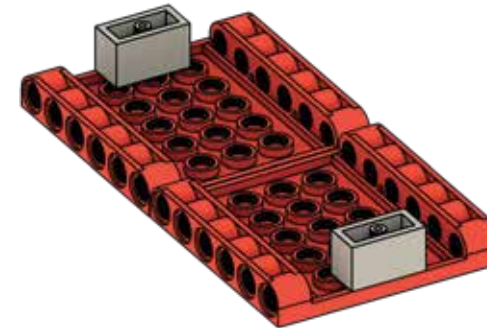
1.



2.



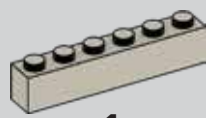
3.



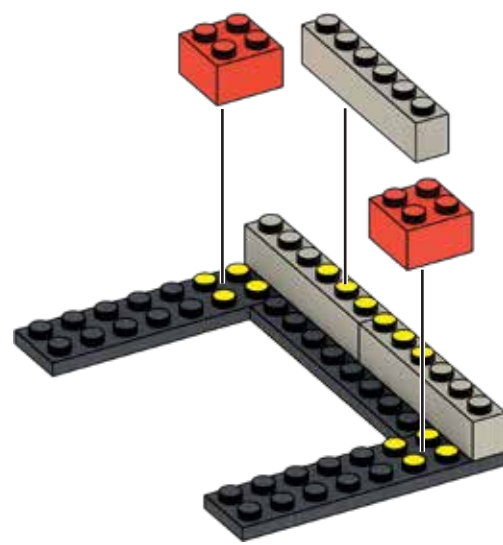
4



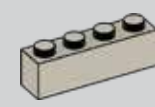
2x



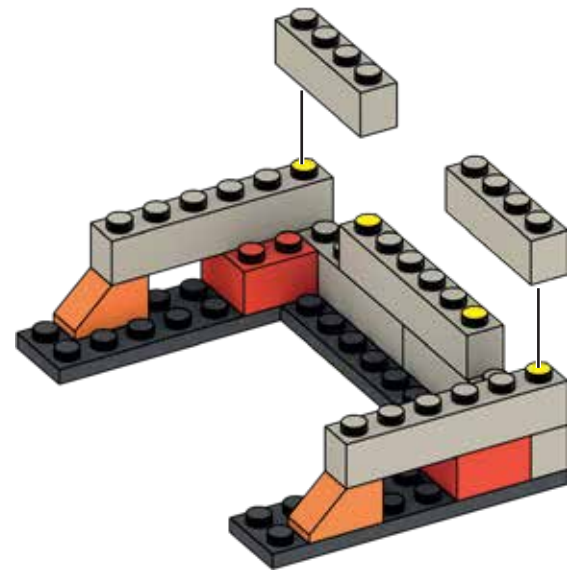
1x



6



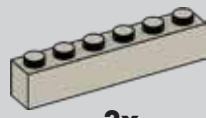
2x



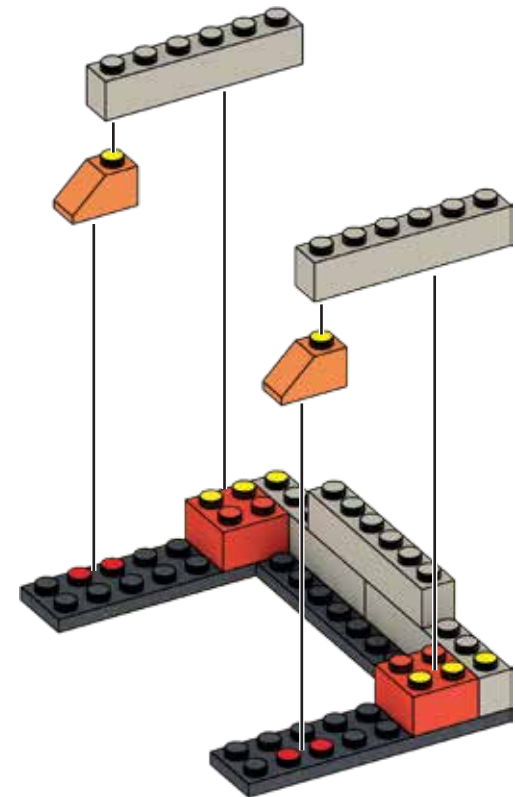
5



2x



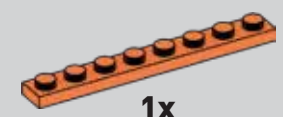
2x



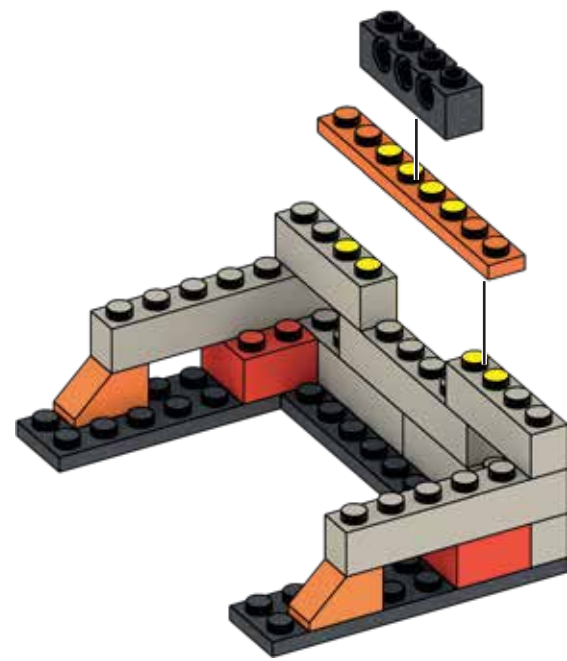
7



1x

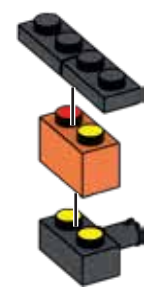


1x

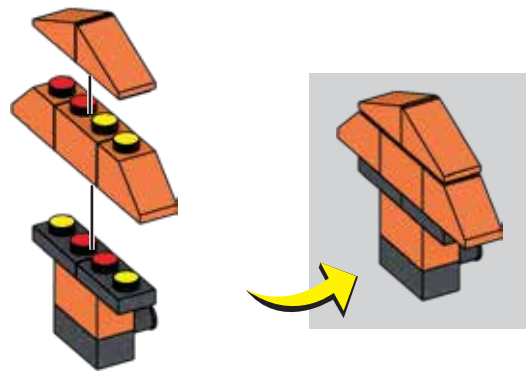




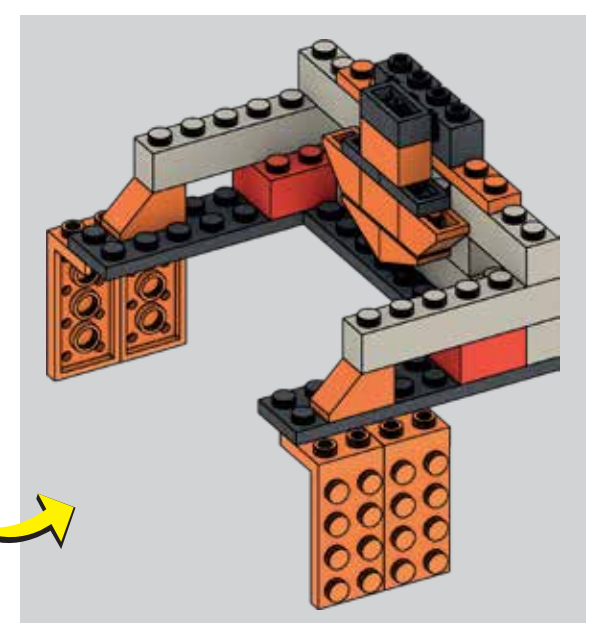
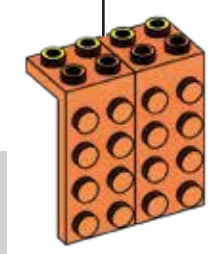
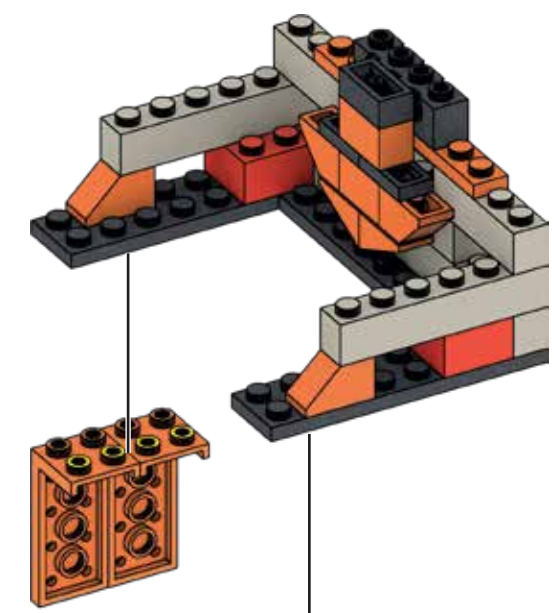
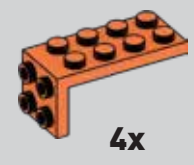
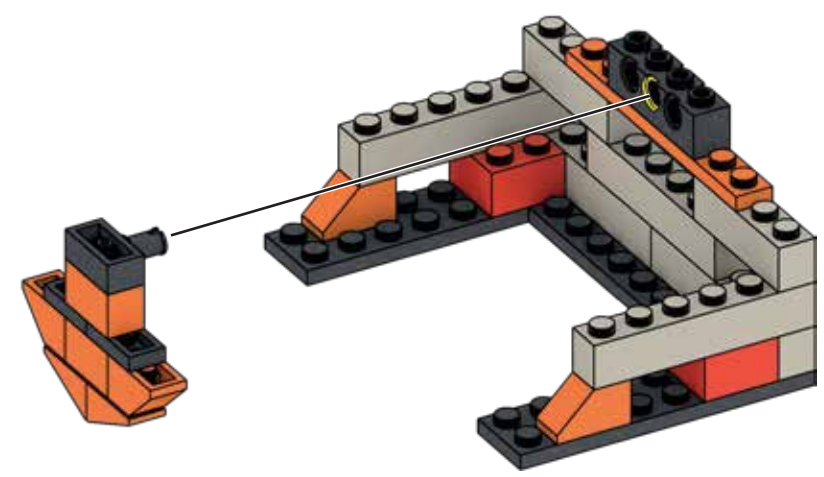
1.



2.

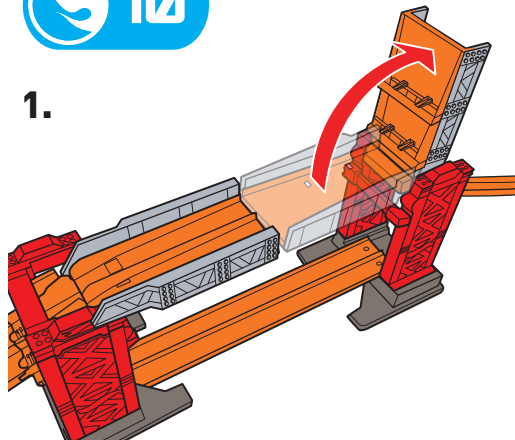


3.

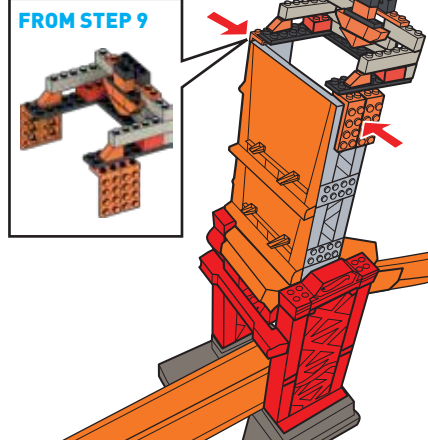




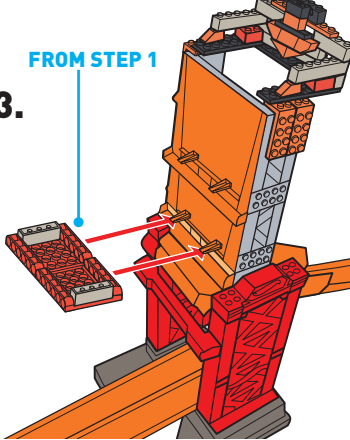
1.



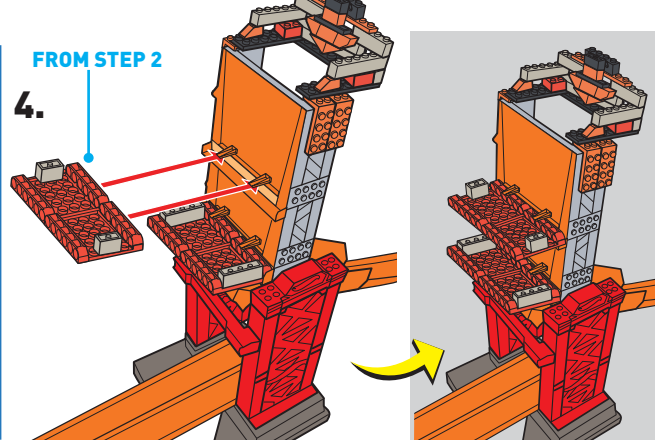
2.



3.



4.

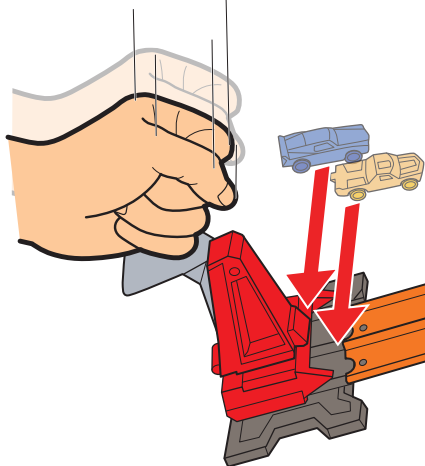


NOW GRAB YOUR CAR AND CHALLENGE YOURSELF!



EXPERIMENT WITH THE ANGLE OF THE JUMP BY TURNING THE MOTOR ON AND STOPPING AT DIFFERENT ANGLES.

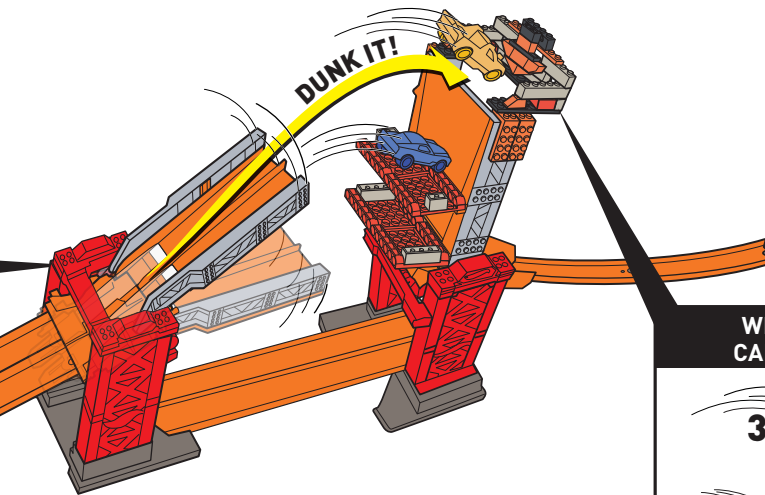
SLAM IT!



POWER ON BEFORE PLAY.



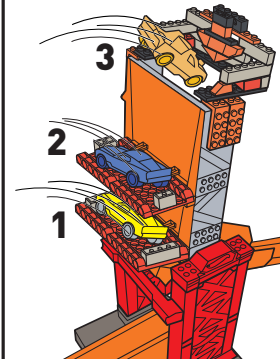
DUNK IT!



ADDITIONAL CHALLENGE: LEAVE THE MOTOR ON TO SEE IF YOU CAN MAKE IT.

NOTE: FOR BEST PERFORMANCE, PLAY ON LOW PILE CARPET OR HARD SURFACES.

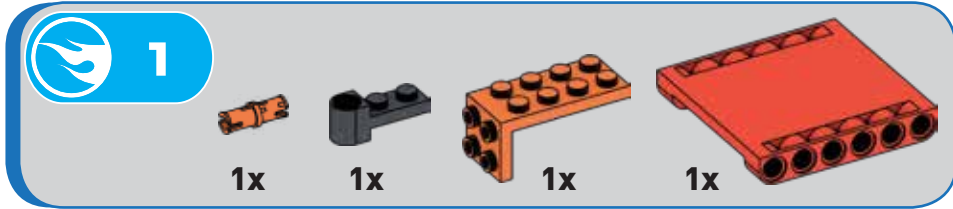
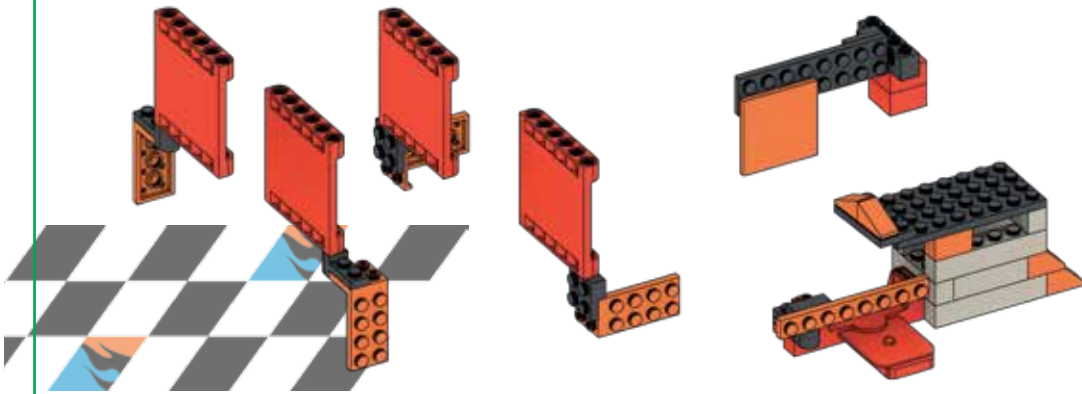
WHICH LEVEL CAN YOU NAIL?



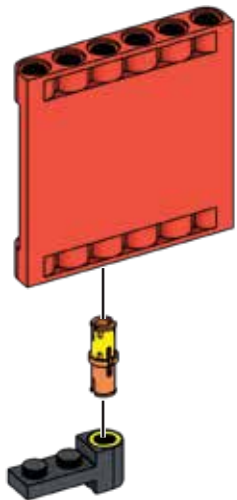
CAN YOU MAKE THE DUNK?

CRASH TAG

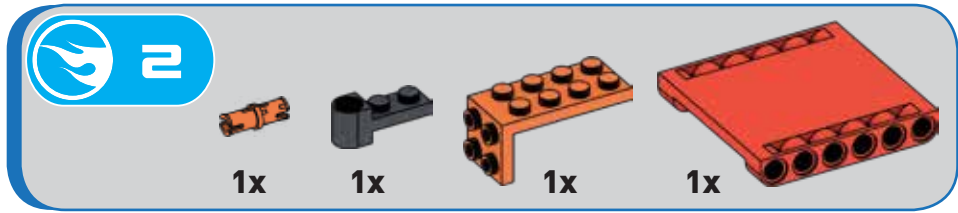
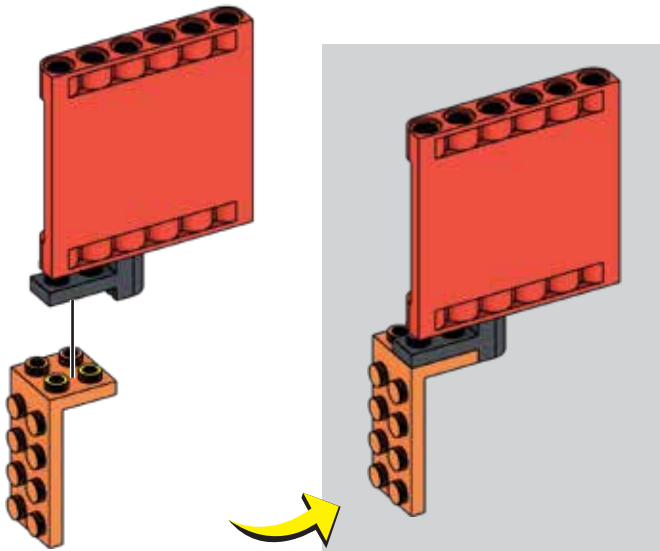
BUILD YOUR BLOCKS LIKE THIS:



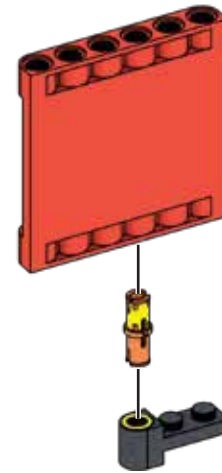
1.



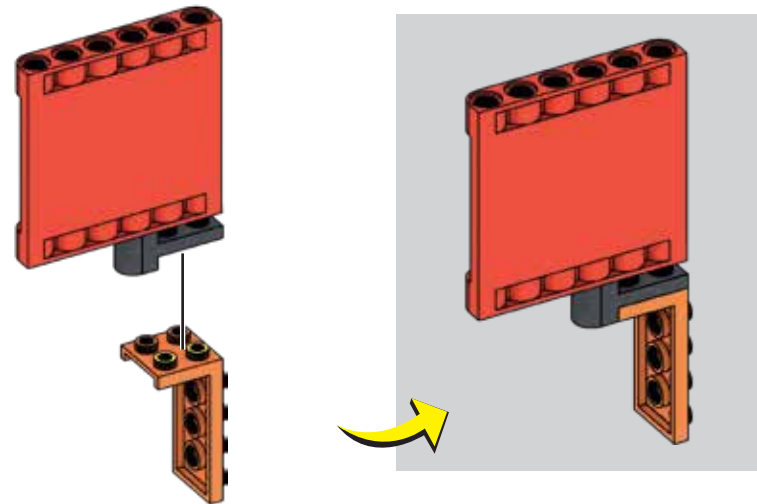
2.

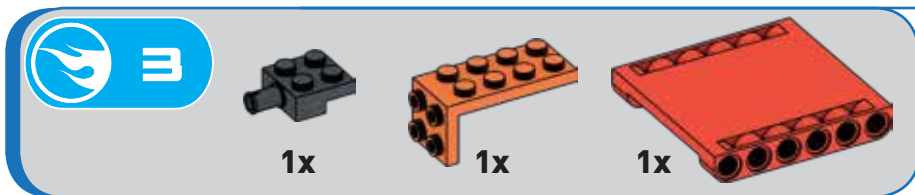


1.

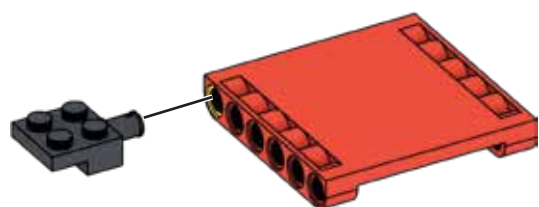


2.

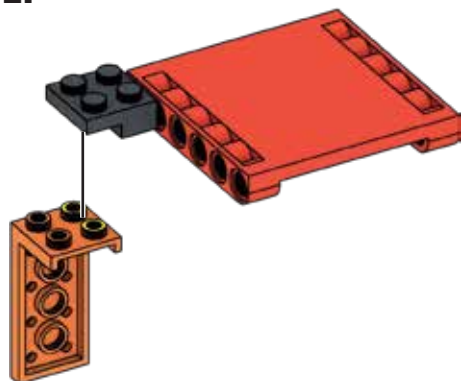




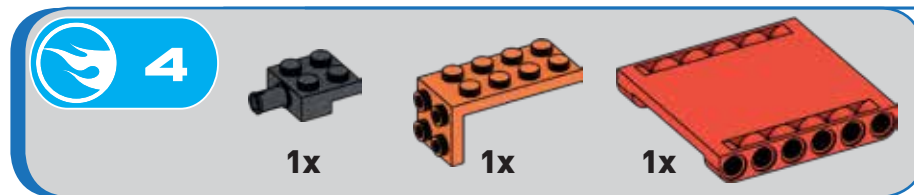
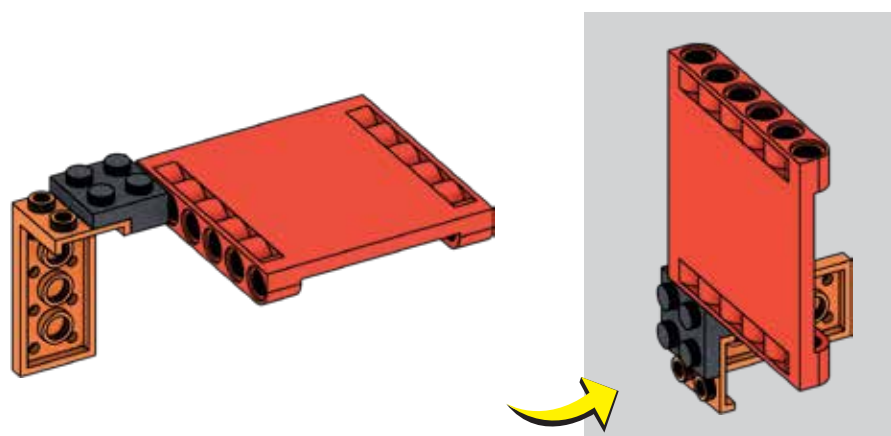
1.



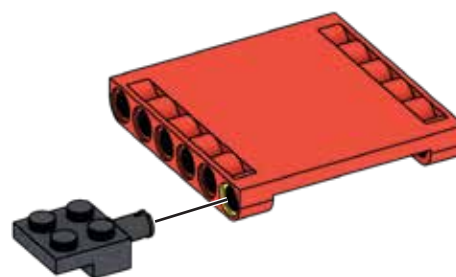
2.



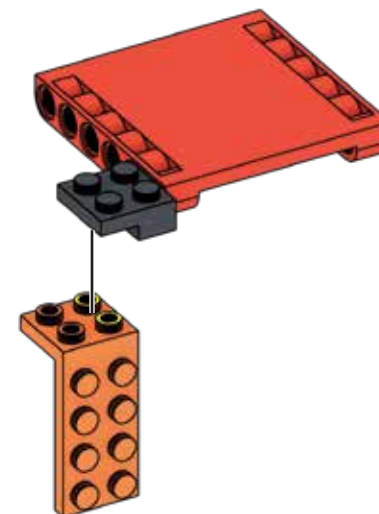
3.



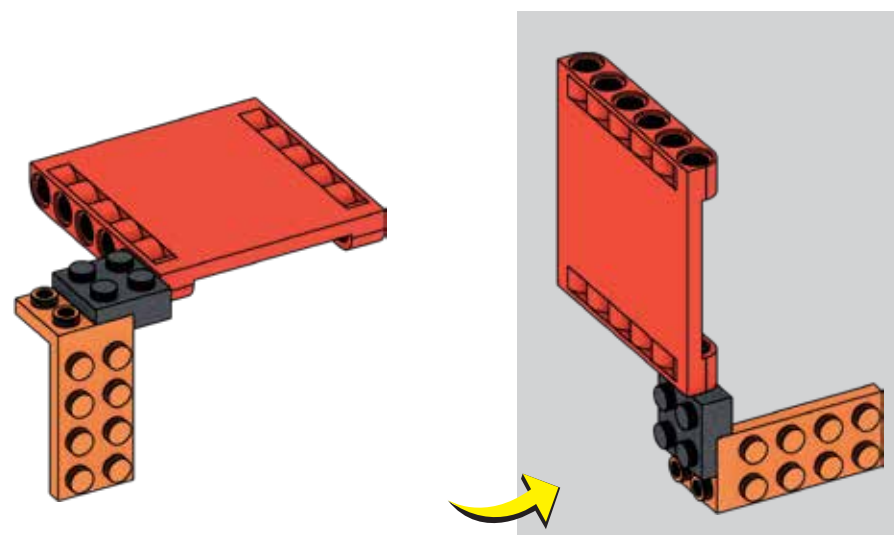
1.



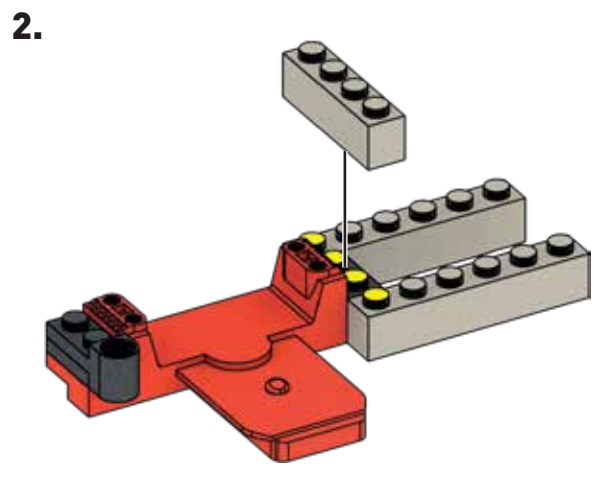
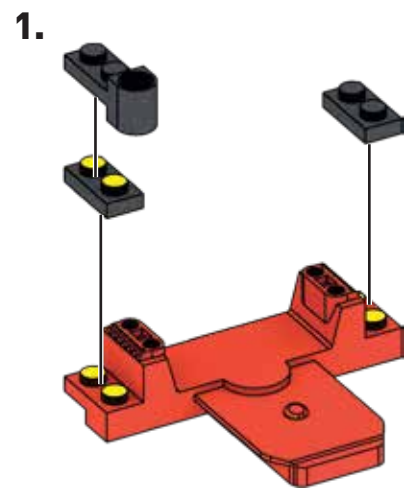
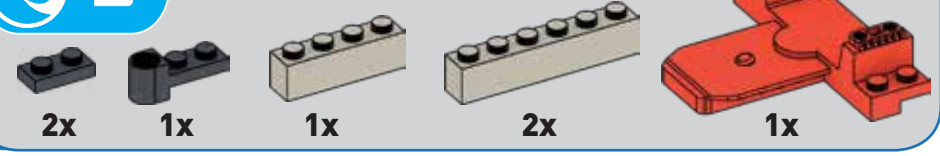
2.



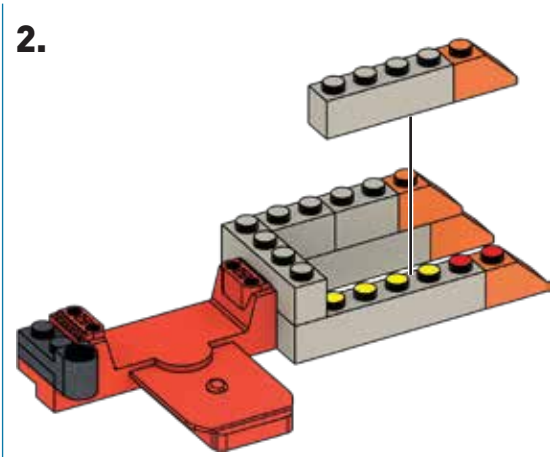
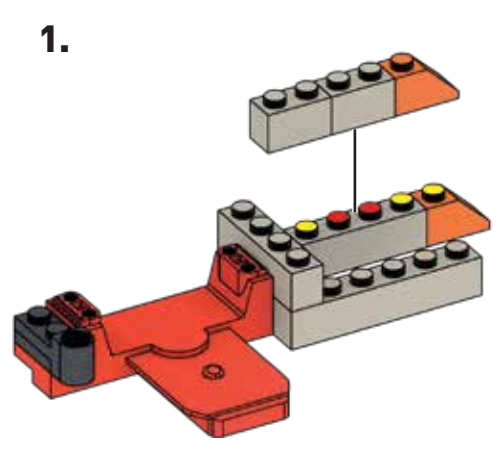
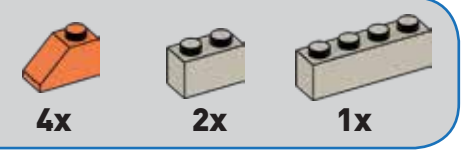
3.



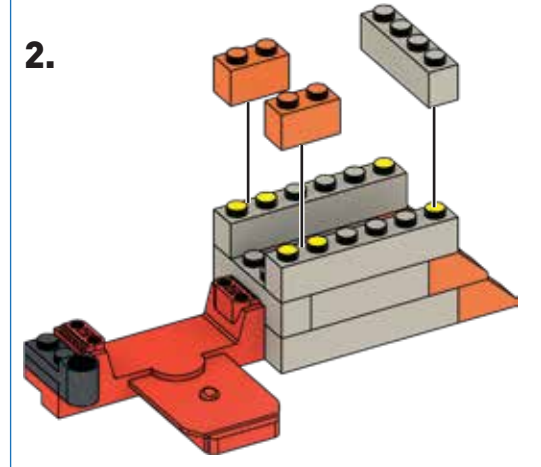
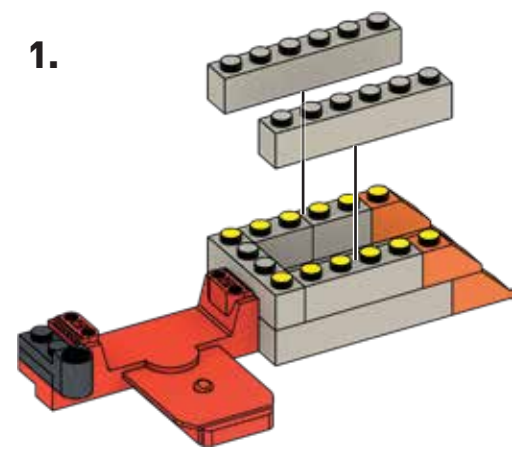
5



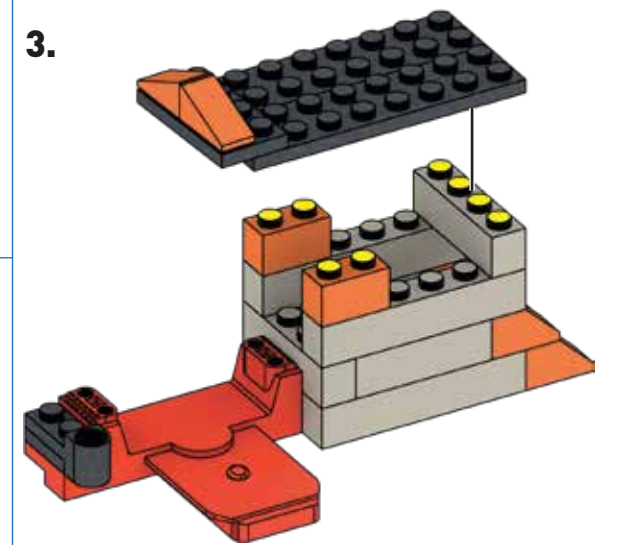
6



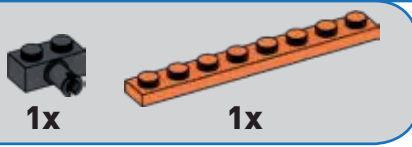
7



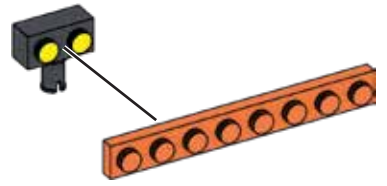
8



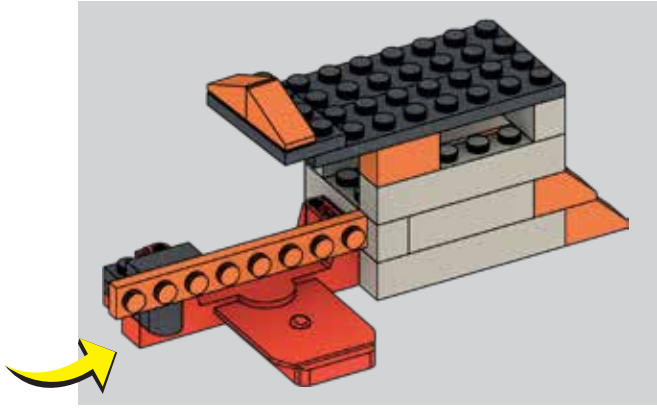
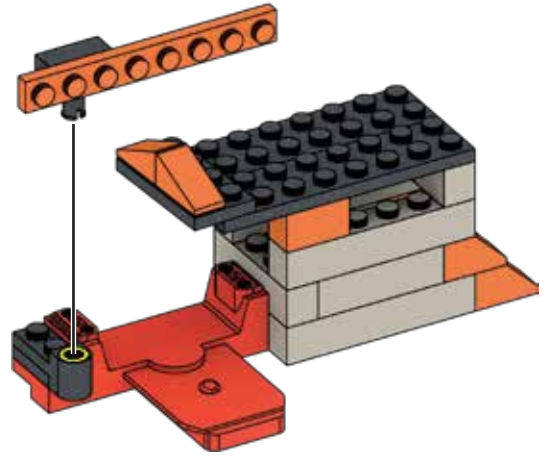
9



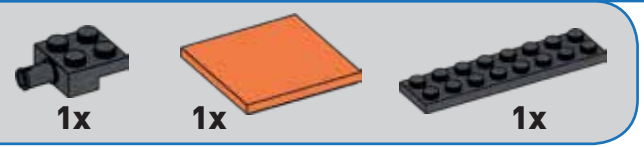
1.



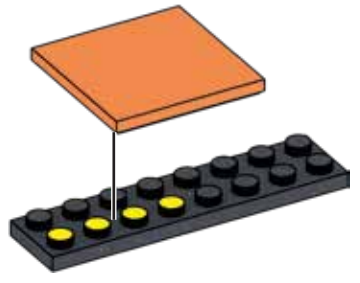
2.



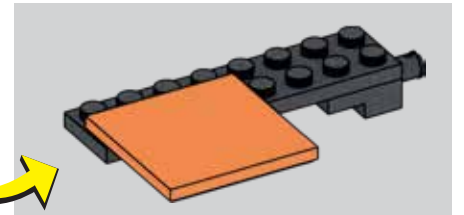
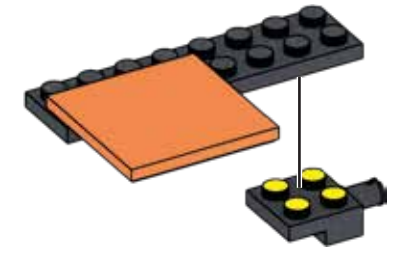
10



1.



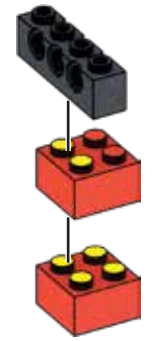
2.



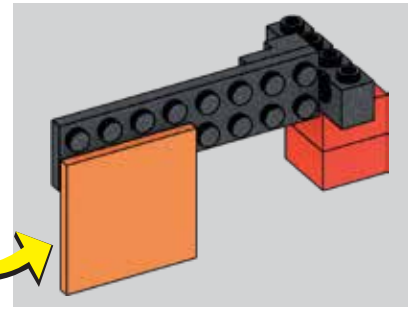
11



1.

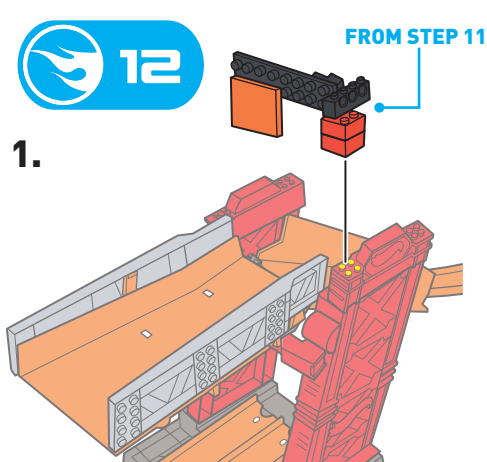


2.



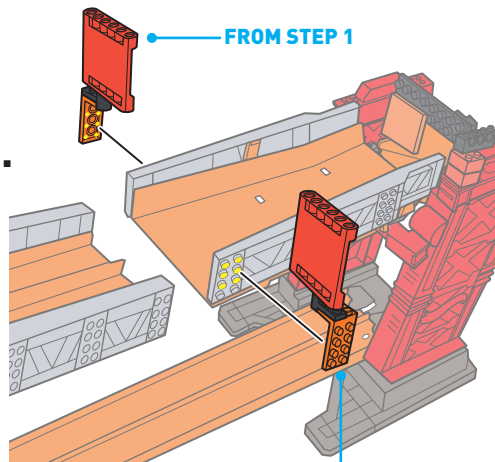
12

1.



FROM STEP 11

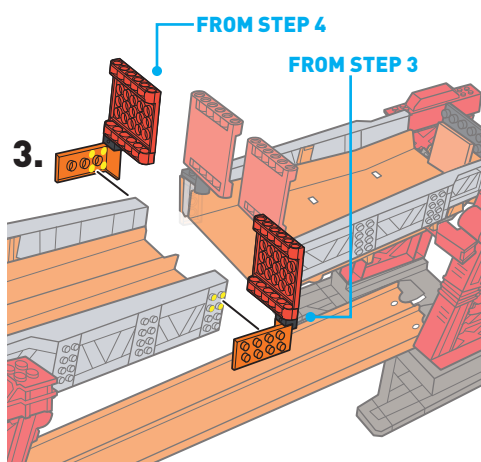
2.



FROM STEP 1

FROM STEP 2

3.

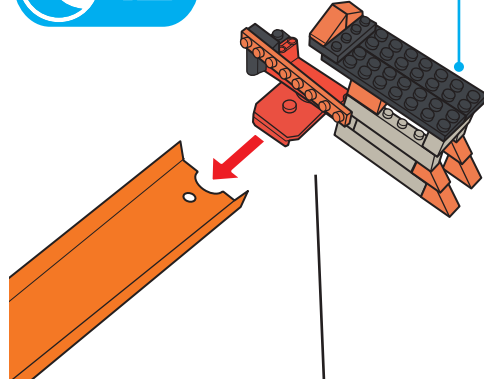


FROM STEP 4

FROM STEP 3

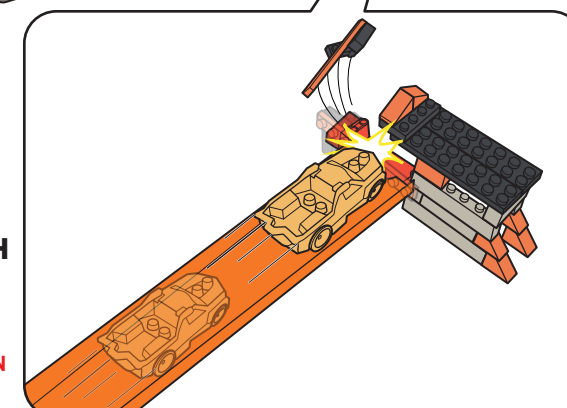
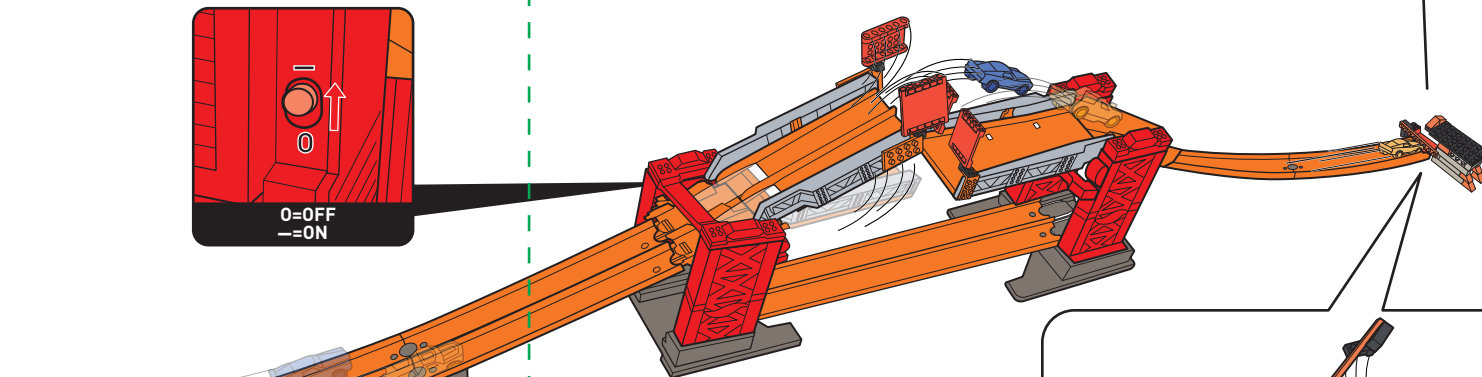
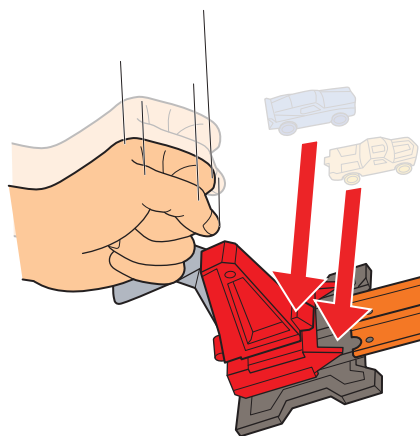
13

FROM STEP 9



NOW GRAB YOUR CAR AND CHALLENGE YOURSELF!

POWER ON BEFORE PLAY.

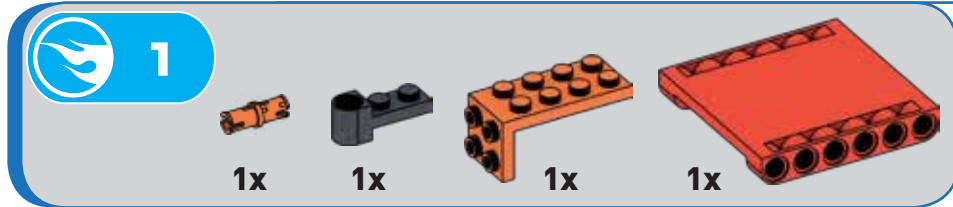
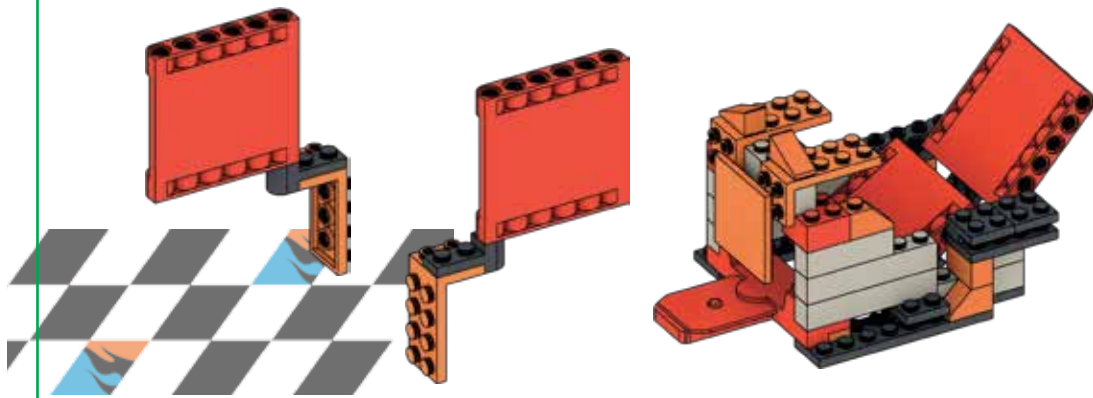


CAN YOU BREAK THROUGH ALL THE BARRIERS?

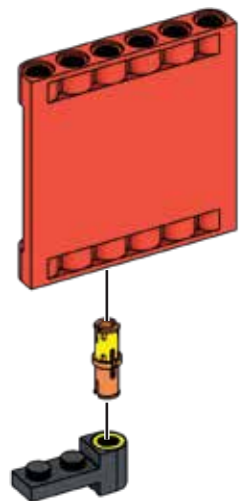
NOTE: FOR BEST PERFORMANCE, PLAY ON LOW PILE CARPET OR HARD SURFACES.

PIT STOP CHALLENGE

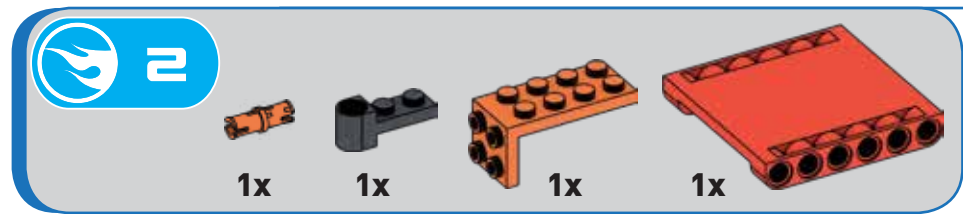
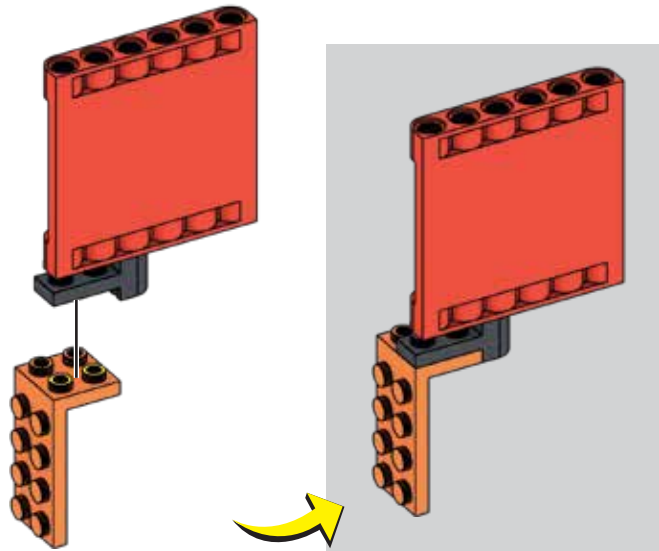
BUILD YOUR BLOCKS LIKE THIS:



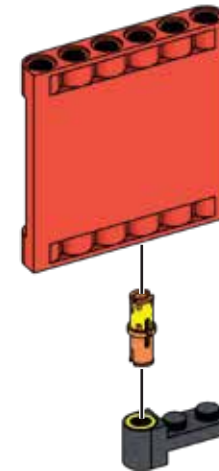
1.



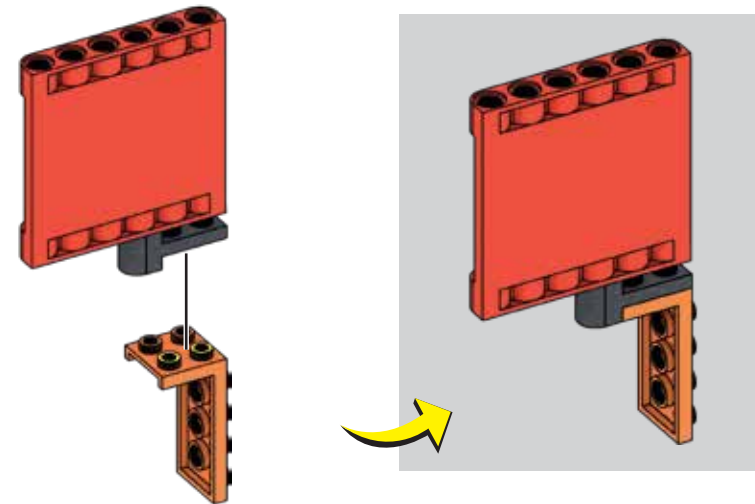
2.



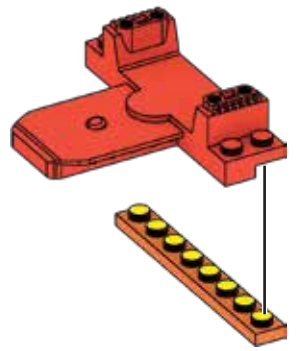
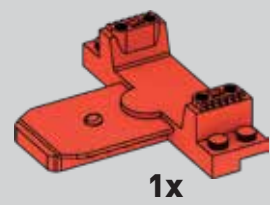
1.



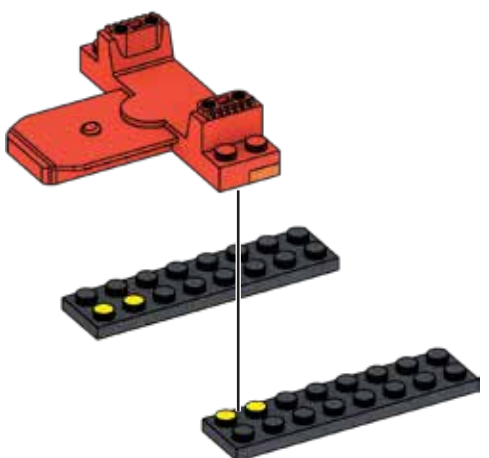
2.



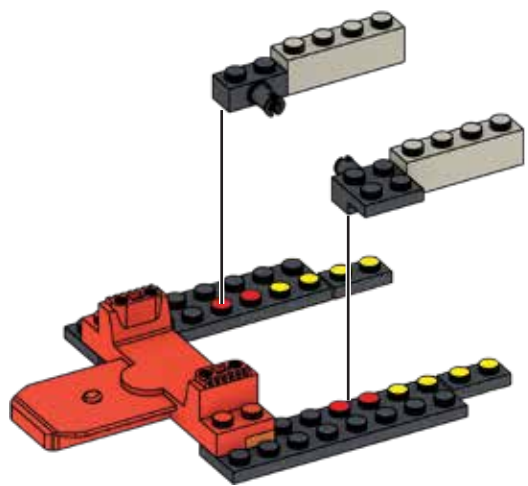
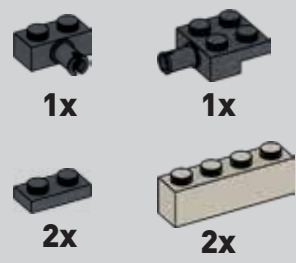
3



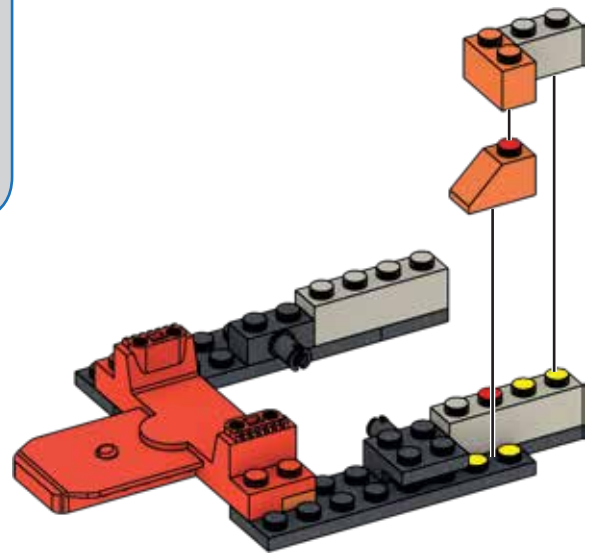
4



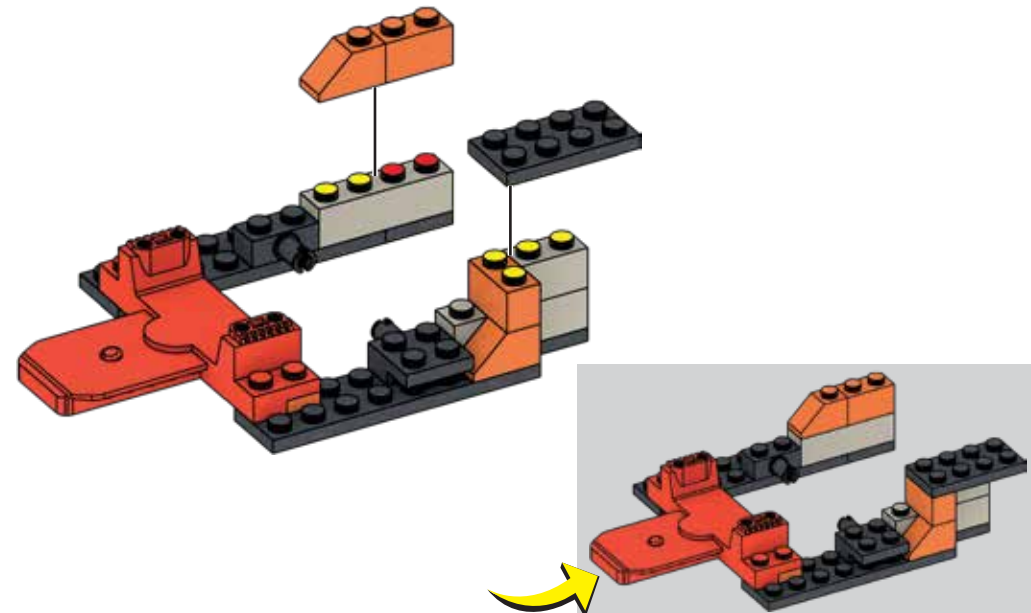
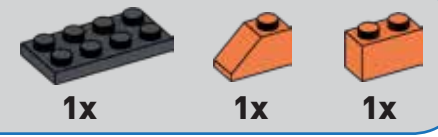
5



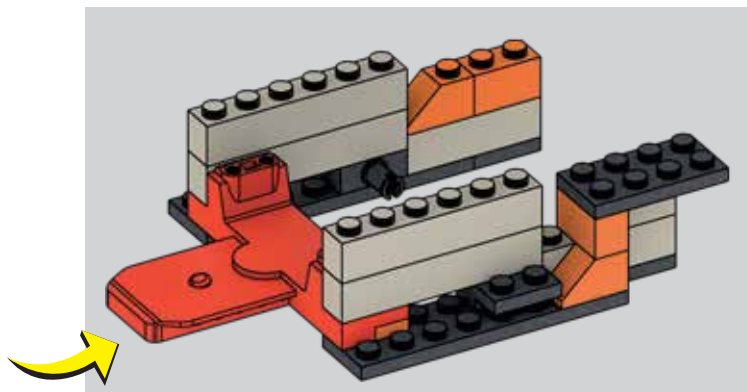
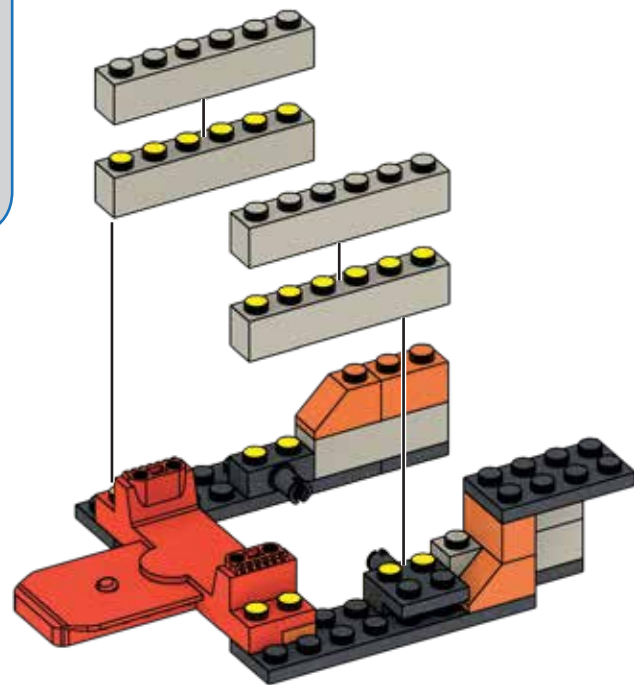
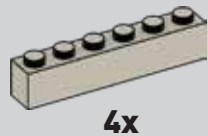
6



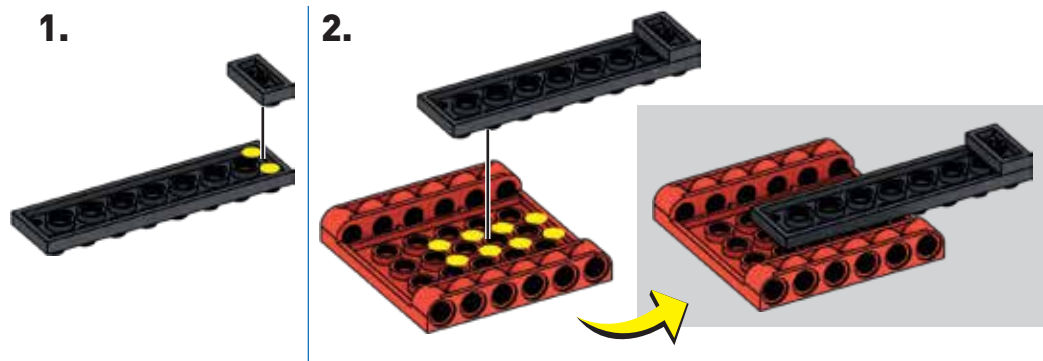
7



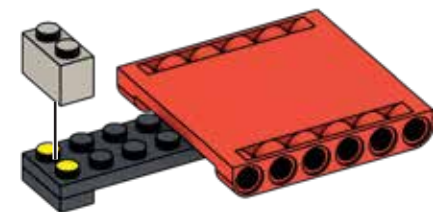
8



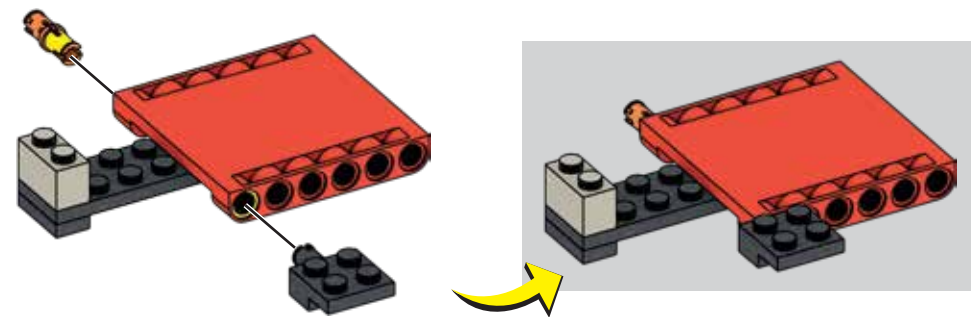
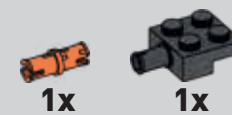
9



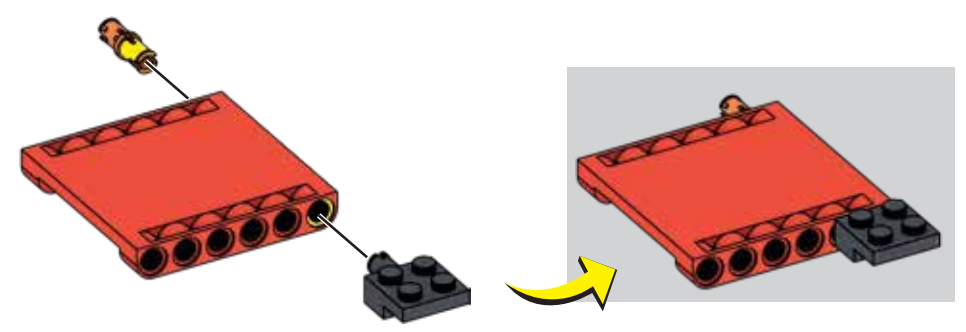
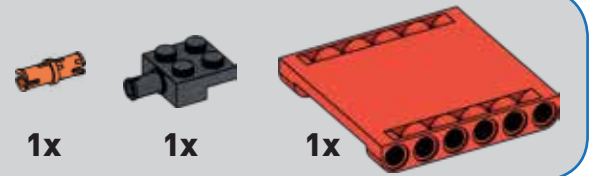
10



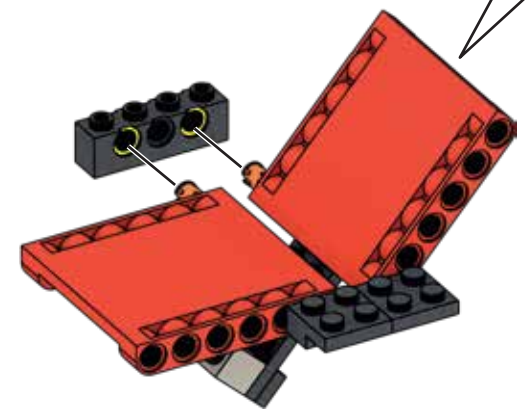
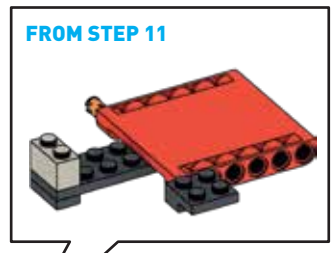
11



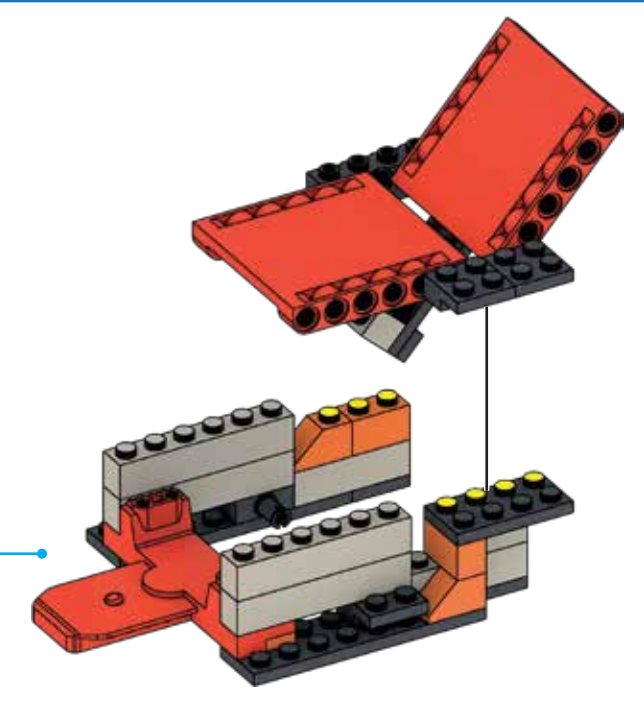
12



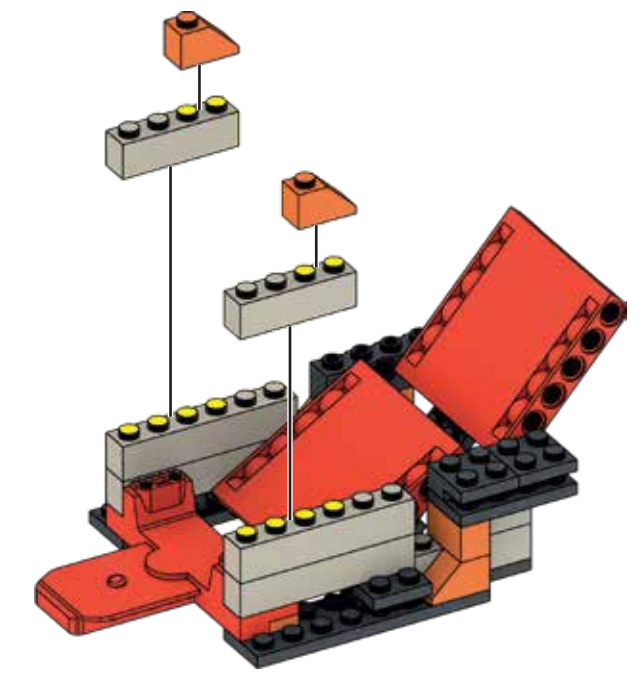
13





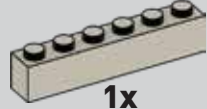
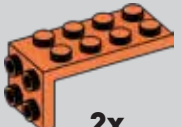
14

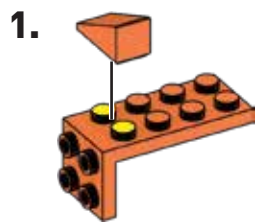
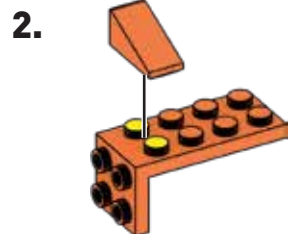
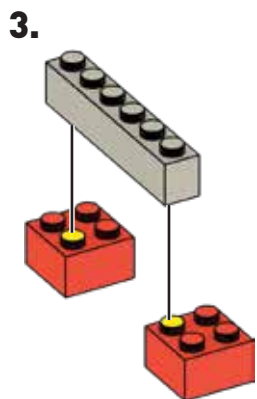
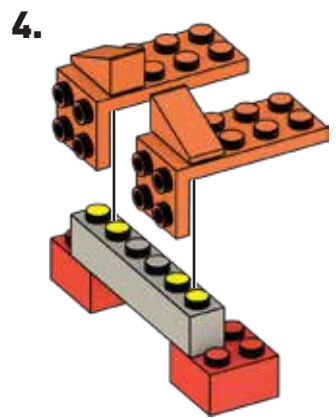


15

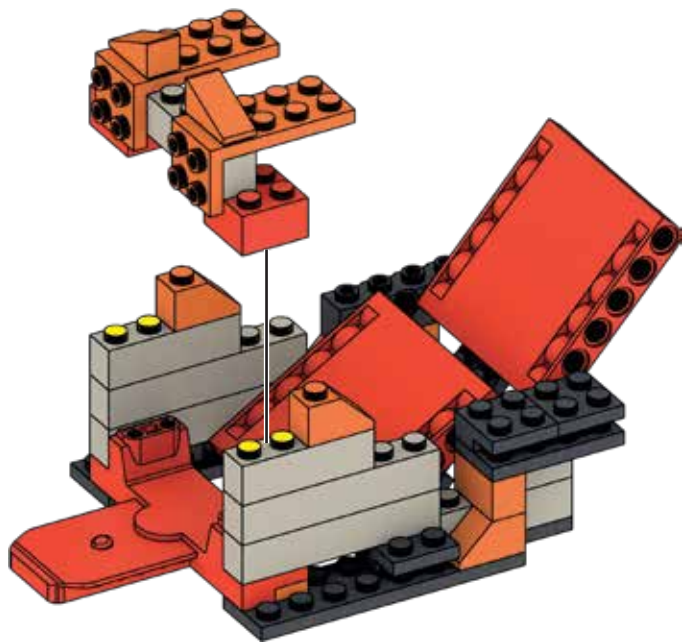


16

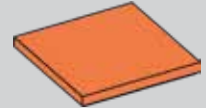
- 2x 
- 2x 
- 1x 
- 2x 

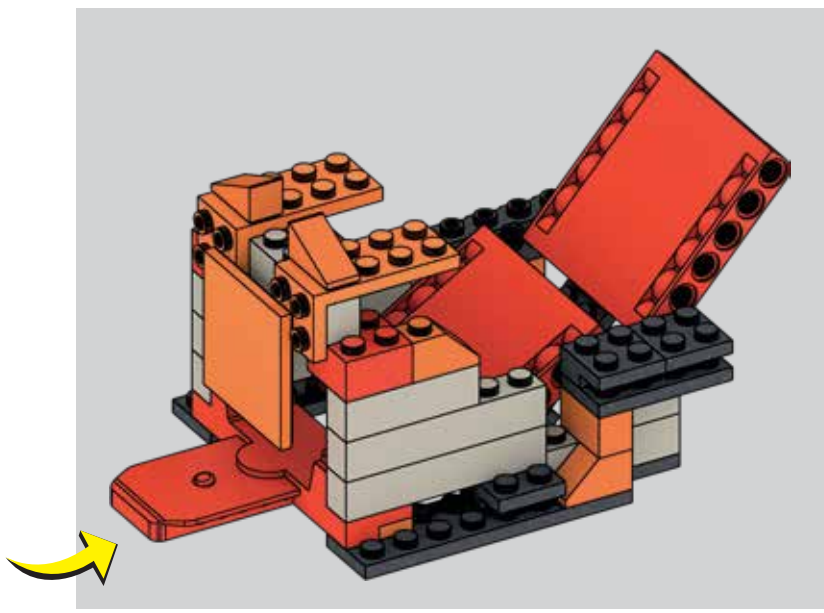
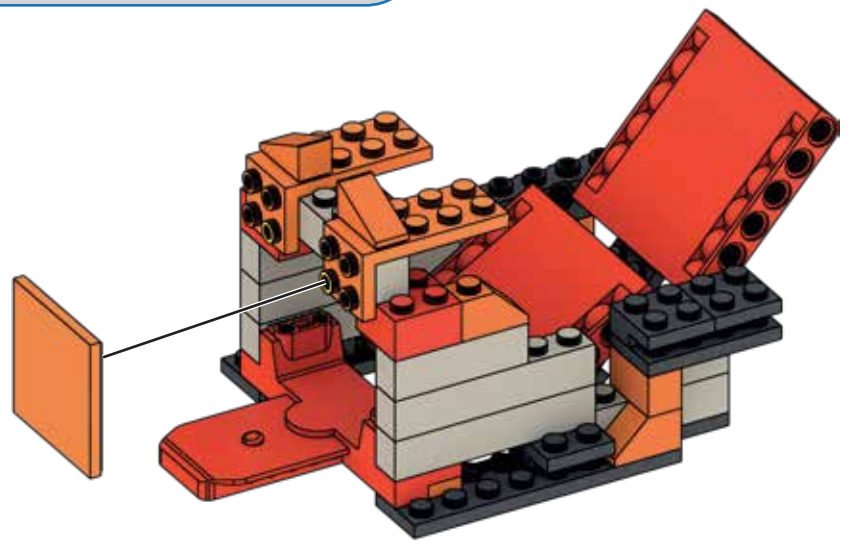
- 
- 
- 
- 

17

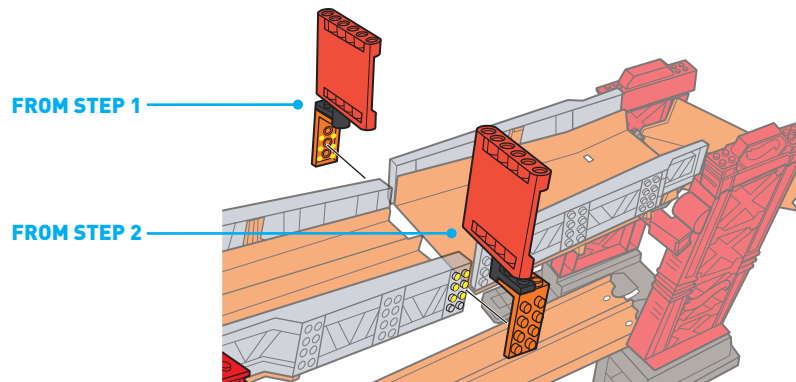


18

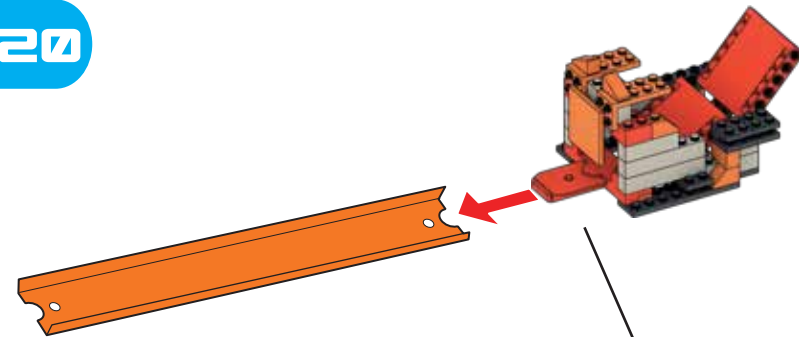
- 1x 



19

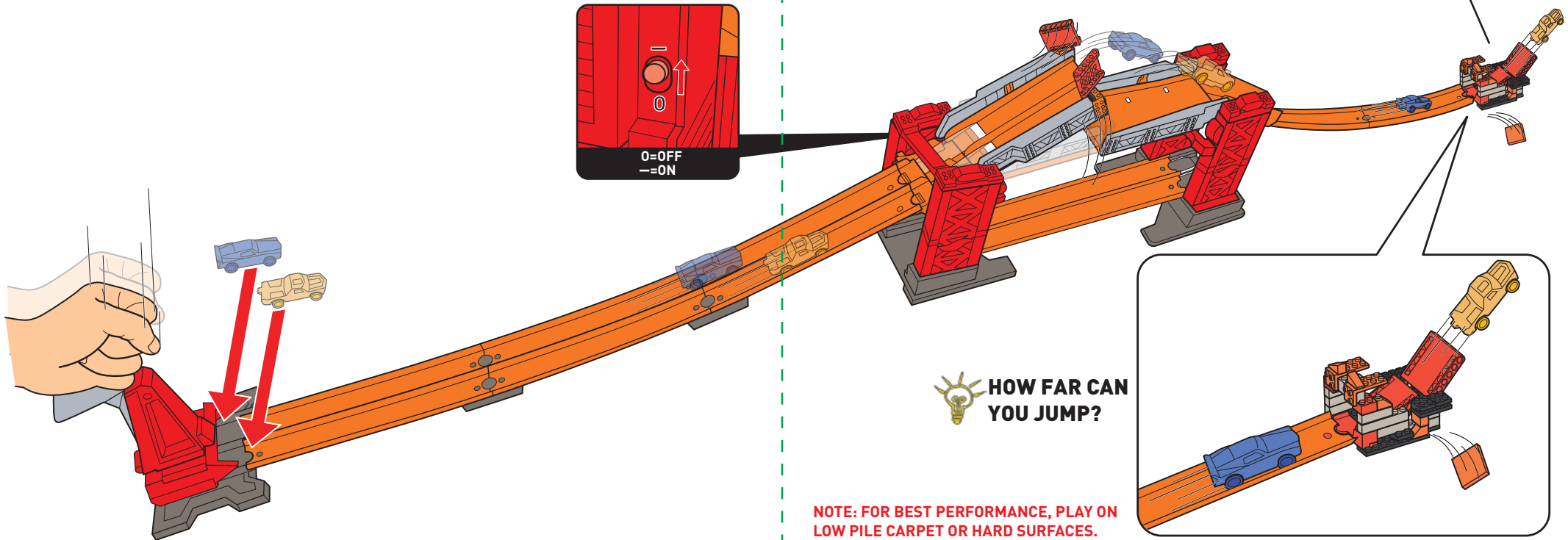
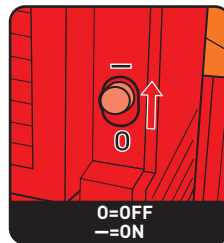


20



NOW GRAB YOUR CAR AND CHALLENGE YOURSELF!

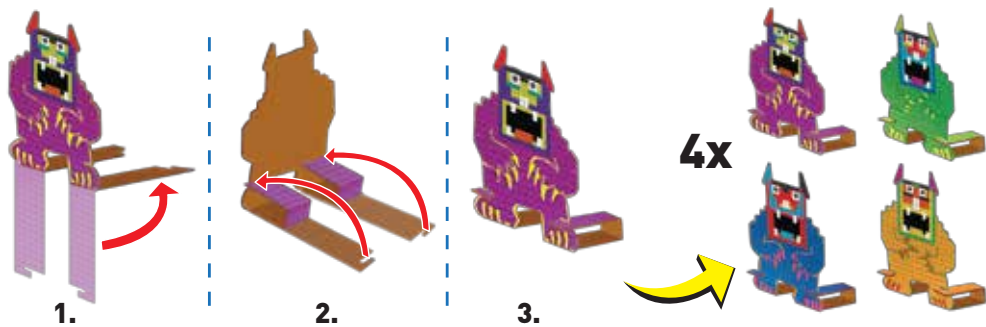
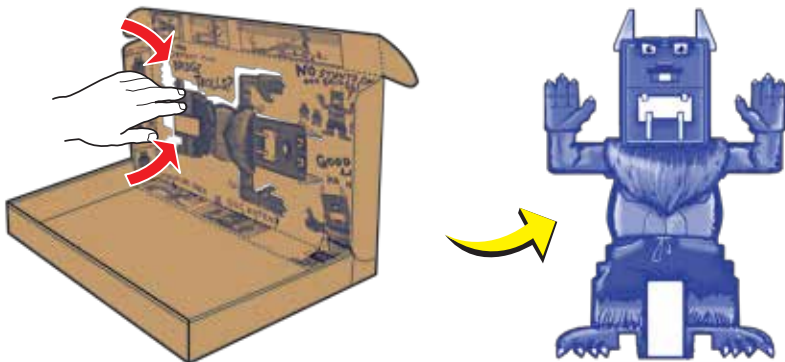
POWER ON BEFORE PLAY.



NOTE: FOR BEST PERFORMANCE, PLAY ON LOW PILE CARPET OR HARD SURFACES.

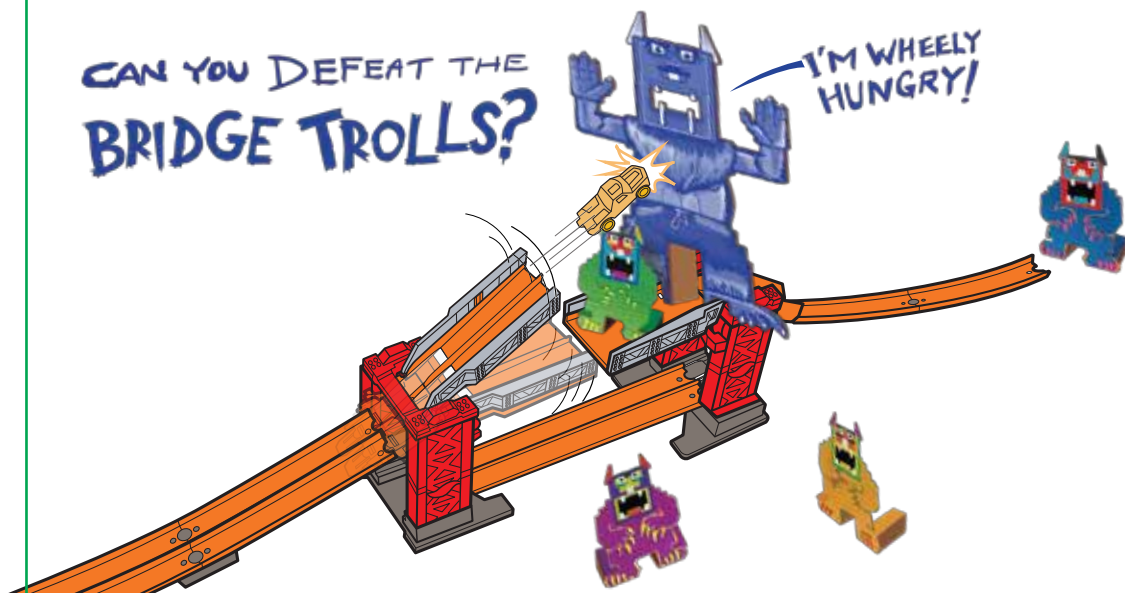
NOW THAT'S WHAT I CALL A HOT WHEELS® HACK!

USE THE PACKAGE FOR STUNTS!



CAN YOU DEFEAT THE BRIDGE TROLLS?

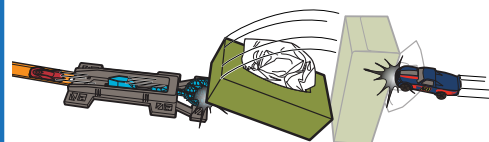
I'M WHEELY HUNGRY!



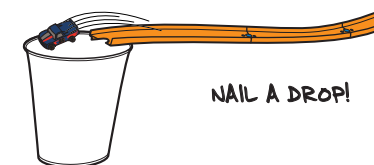
WHAT IF.....?

THE KEY TO A RAD STUNT IS IN YOUR HOME ALREADY:

CREATE A CHAIN REACTION LAUNCH!



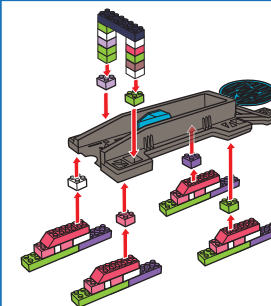
NAIL A DROP!



RACE THROUGH THE TUNNEL!



USE YOUR BRICKS FOR AWESOME TRICKS!



IMAGINE WHAT YOU COULD DO WITH THE TRACK BUILDER SYSTEM!



FOR MORE EPIC TRACK IDEAS VISIT WWW.HOTWHEELS.COM/TRACKBUILDER