

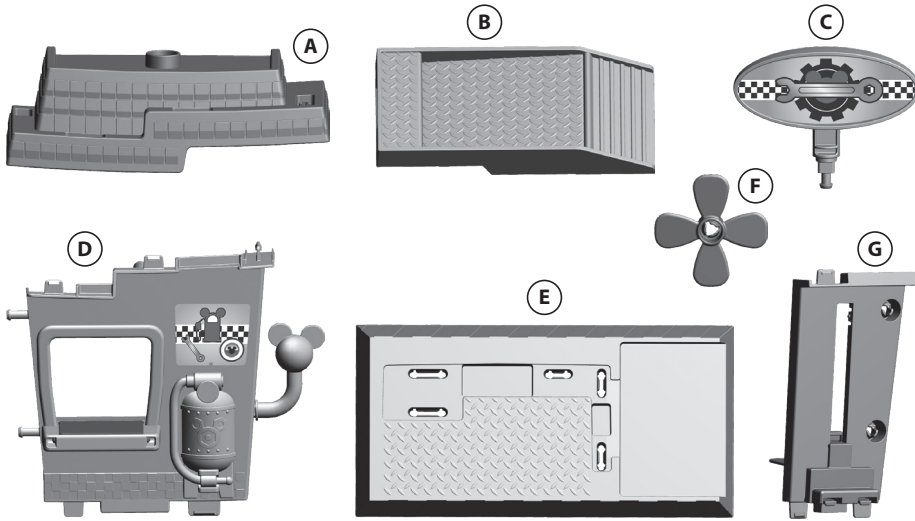


# MICKEY & GOOFY DELUXE PIT STOP

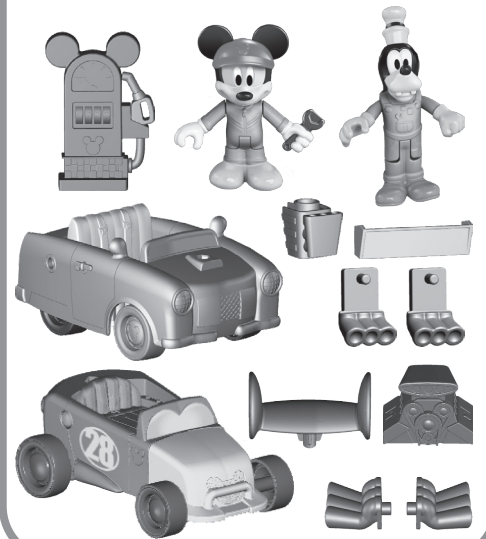
## INSTRUCTIONS

Keep these instructions for future reference as they contain important information.

### ASSEMBLY PARTS

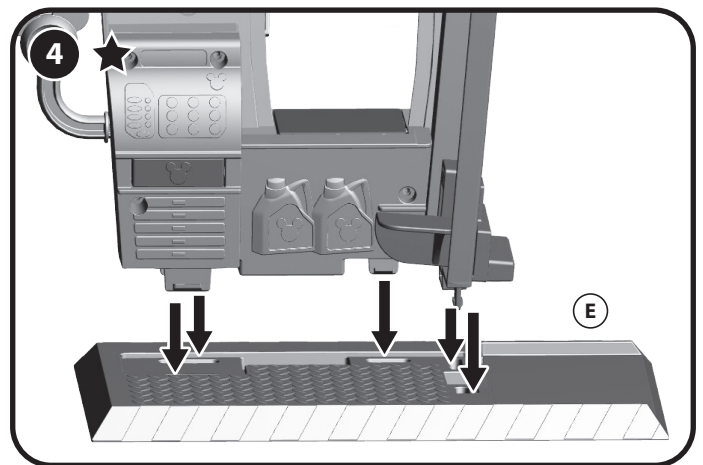
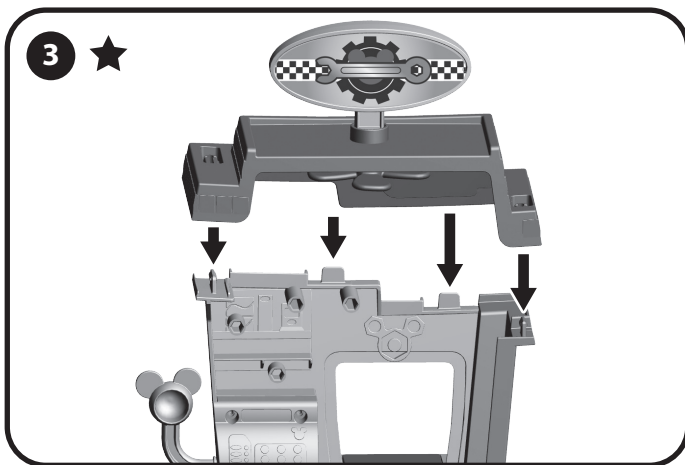
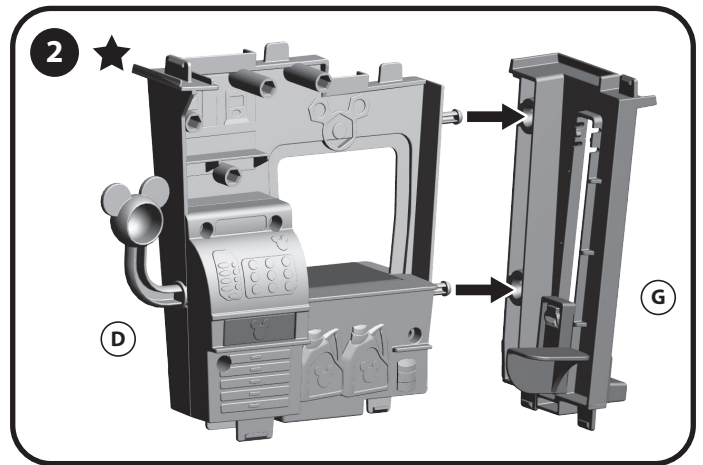
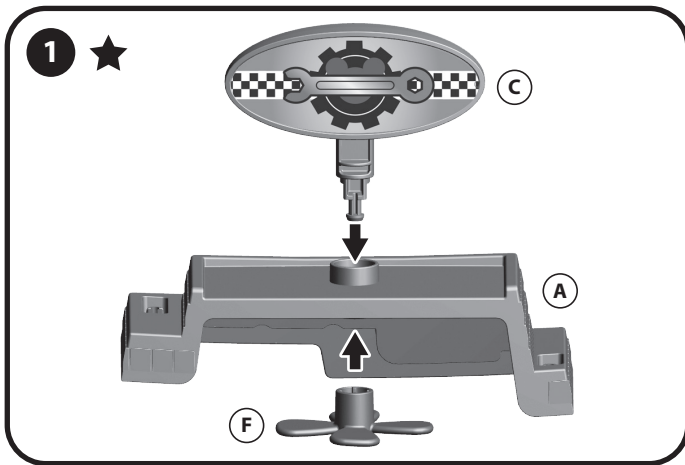


### ADDITIONAL PLAY PIECES

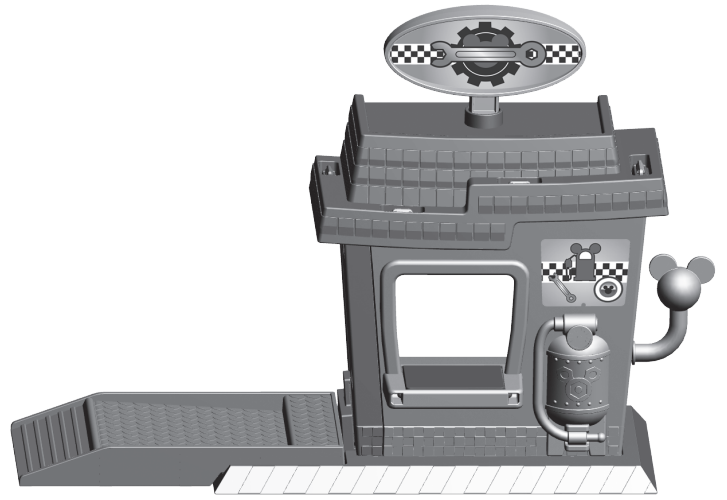
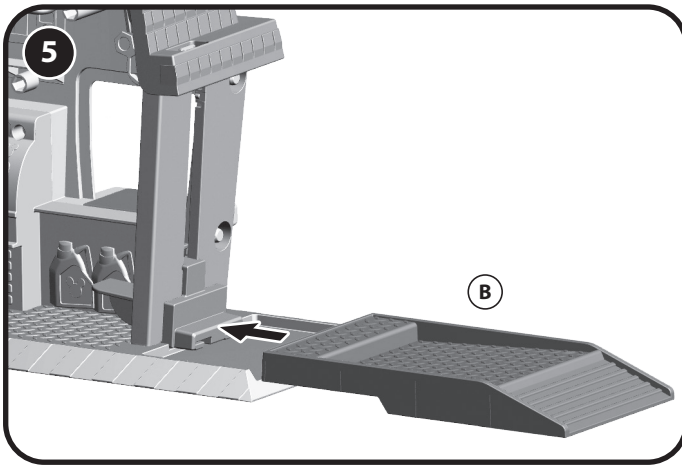


### ASSEMBLY

★ **NOTE:** Assembly steps that are marked with a star are "one-time snaps". Press firmly until each part clicks into place. Once these parts are put together, they cannot be taken apart.

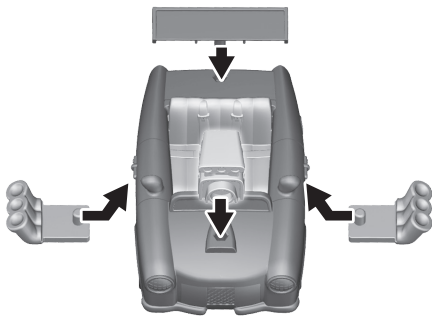


## ASSEMBLY

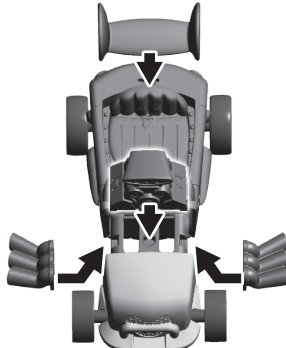


## HOW TO PLAY

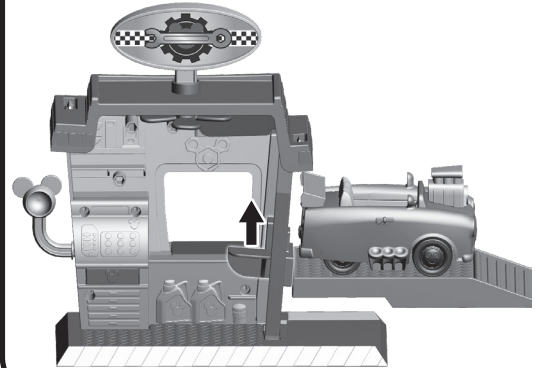
You can attach these pieces to customize Goofy's car.



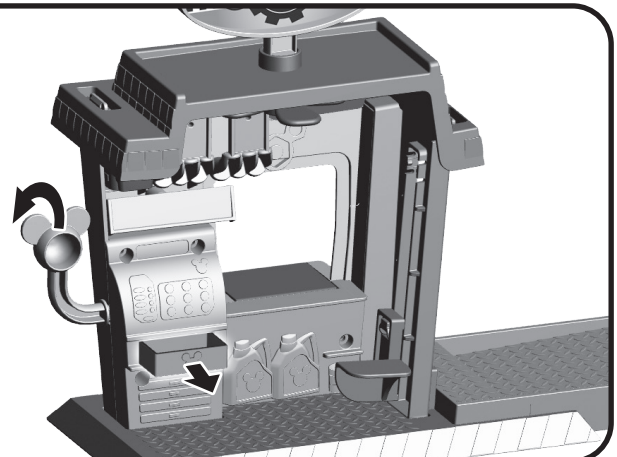
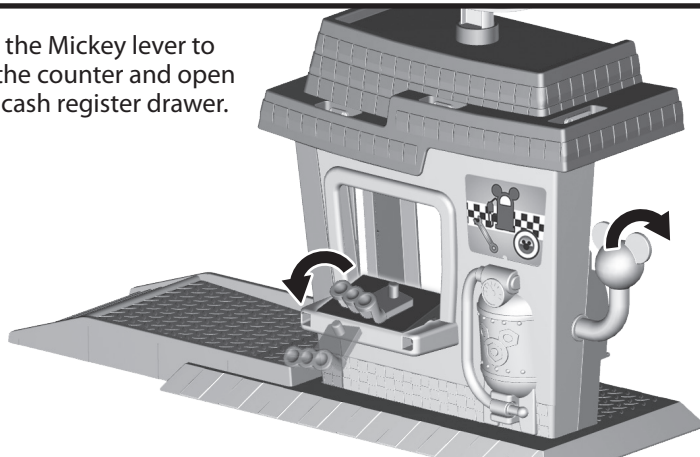
You can attach these pieces to customize Mickey's car.



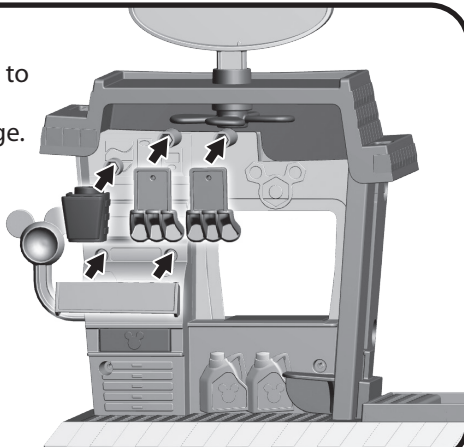
Hold the base while raising the car lift.



Pull the Mickey lever to tilt the counter and open the cash register drawer.



Attach the accessory pieces to the wall of the garage for storage.



**CONSUMER ASSISTANCE**  
 1-800-432-5437 (US & Canada)  
 1300 135 312 (Australia)  
**service.fisher-price.com**

Fisher-Price, Inc., 636 Girard Avenue, East Aurora, NY 14052.  
 Hearing-impaired consumers: 1-800-382-7470.

### Outside the United States:

Canada: Mattel Canada Inc., 6155 Fremont Blvd., Mississauga, Ontario L5R 3W2; www.service.mattel.com.  
 Great Britain: Mattel UK Ltd, Vanwall Business Park, Maidenhead SL6 4UB. Helpline: 01628 500303. www.service.mattel.com/uk  
 Mattel Europa B.V., Gondel 1, 1186 MJ Amstelveen, Nederland.  
 Australia: Mattel Australia Pty. Ltd., 658 Church Street, Locked Bag #870, Richmond, Victoria 3121 Australia.  
 New Zealand: 16-18 William Pickering Drive, Albany 1331, Auckland.  
 SOUTH AFRICA: Mattel South Africa (PTY) LTD, Office 102 I3, 30 Melrose Boulevard, Johannesburg 2196.

© Disney  
 Visit DisneyJunior.com  
 ©2017 Mattel. All Rights Reserved.  
 \* and ™ designate U.S. trademarks of Mattel, except as noted.  
**PRINTED IN CHINA.**  
 Mattel East Asia Ltd., Room 503-09, North Tower, World Finance Centre, Harbour City, Tsimshatsui, HK, China.  
 Tel.: (852) 3185-6500.

**WARNING:**  
 CHOKING HAZARD - Small parts.  
 Not for children under 3 years.

FMP72-0970-1101637057-DOM

FMP72

**Fisher-Price**