



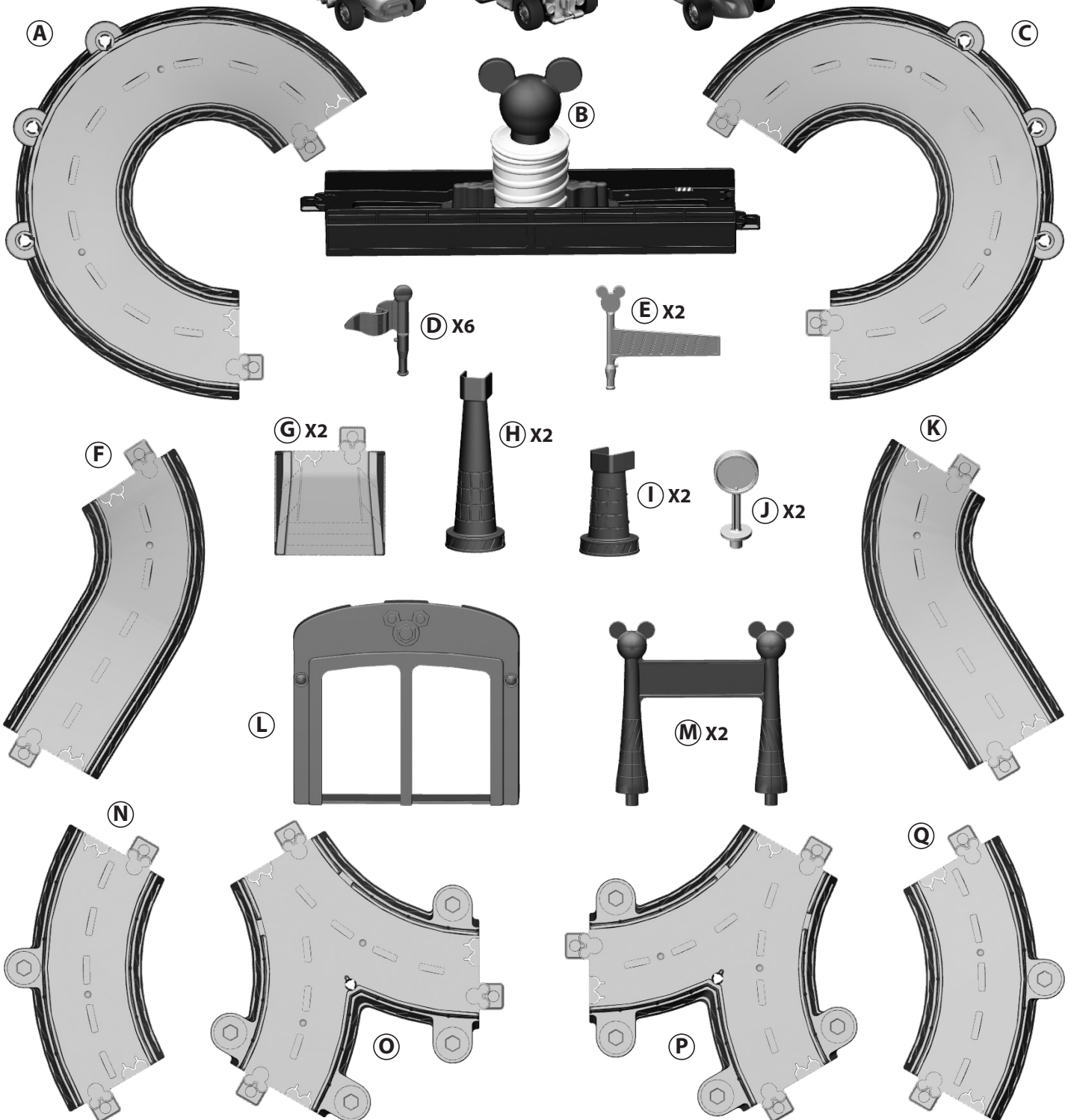
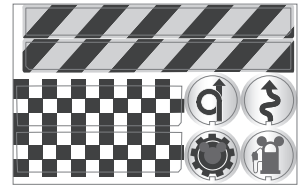
MICKEY EARS SUPER RACEWAY

INSTRUCTIONS

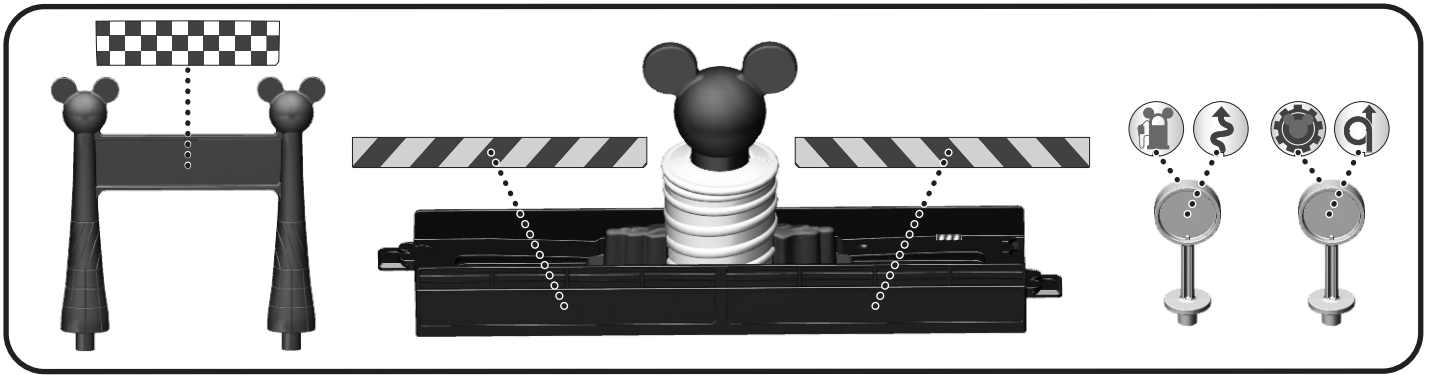
Keep these instructions for future reference as they contain important information.

WHAT'S INCLUDED

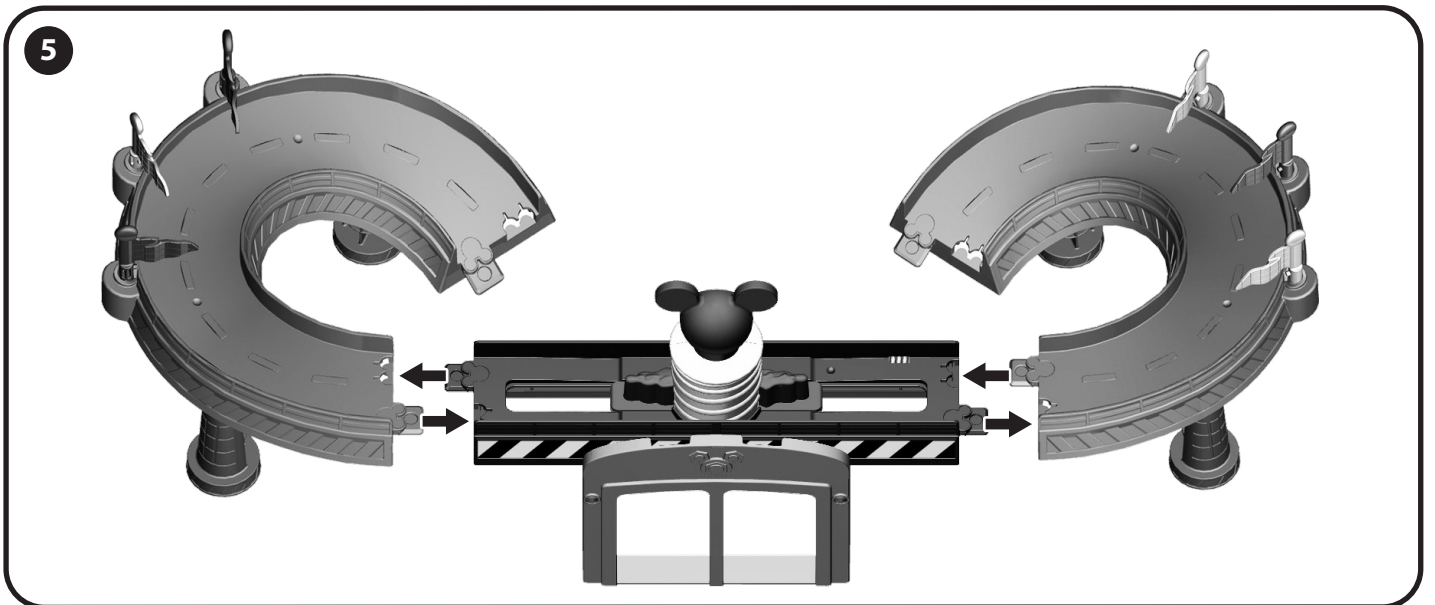
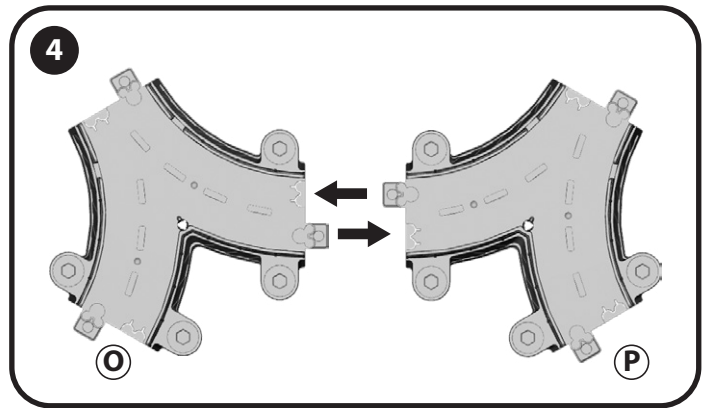
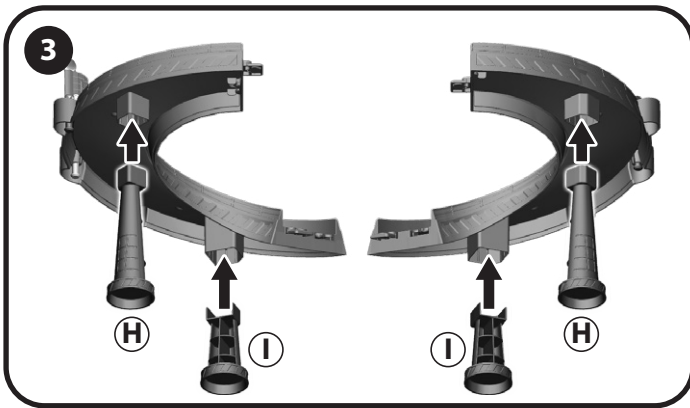
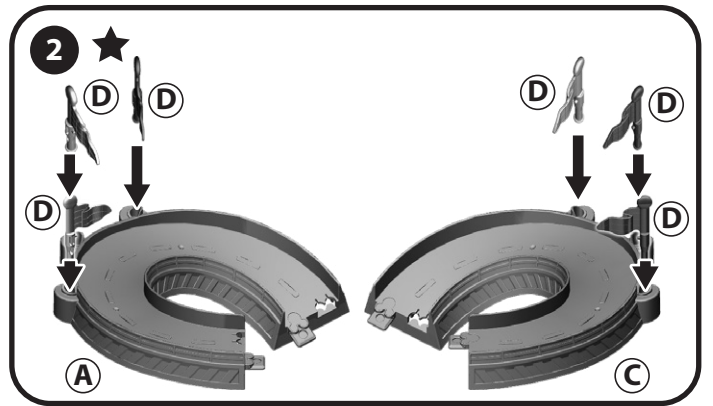
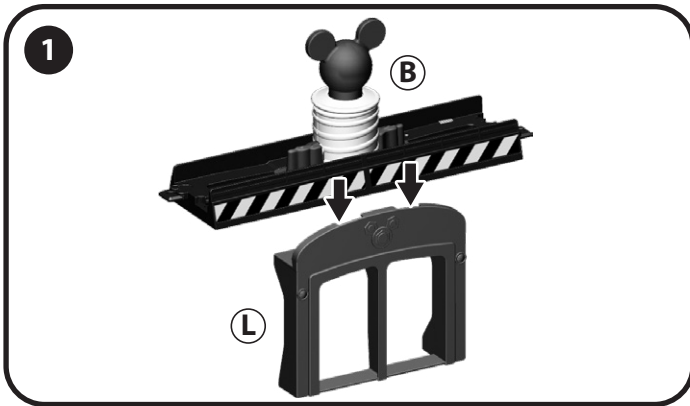
NOTE: Before you begin, lay out the pieces as shown.

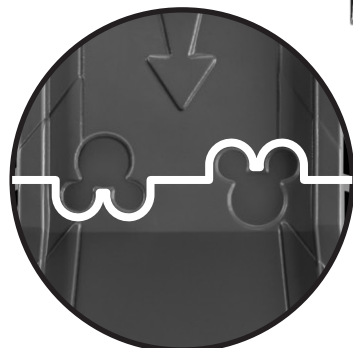
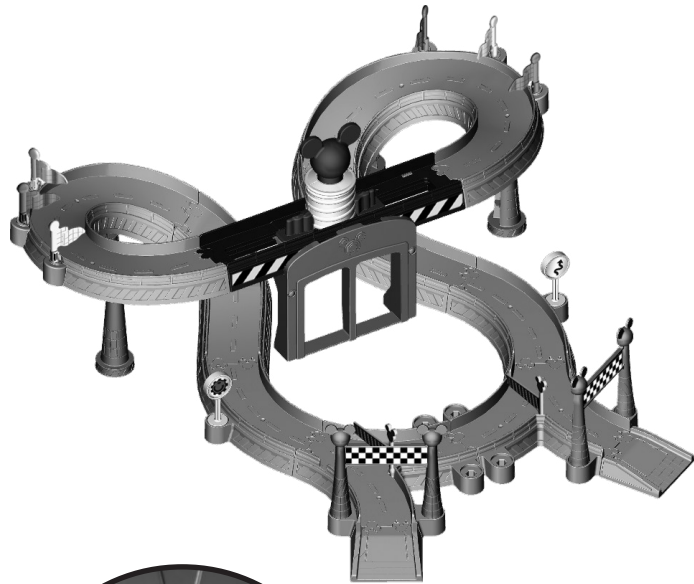
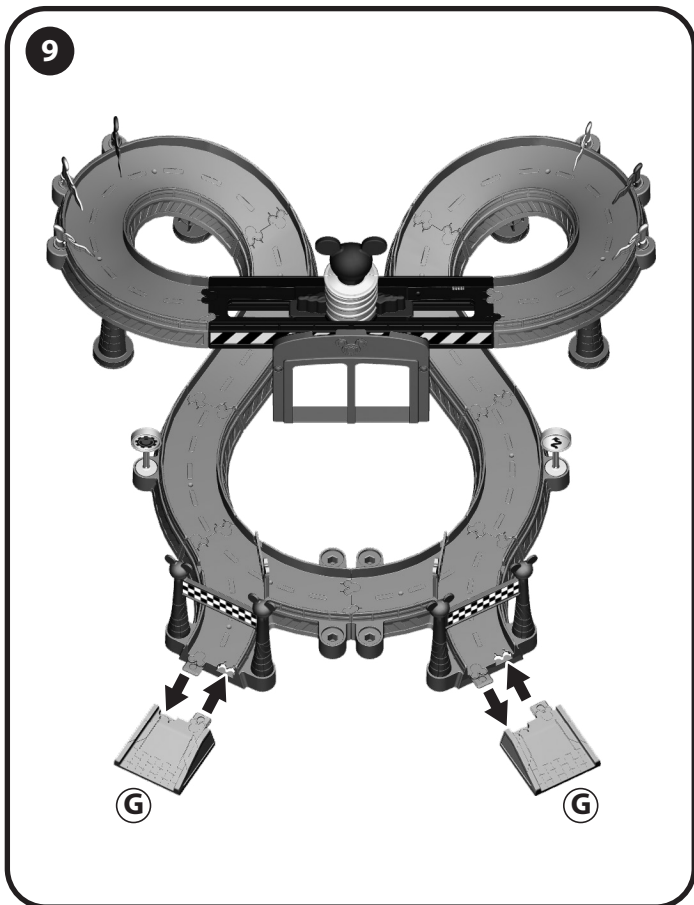
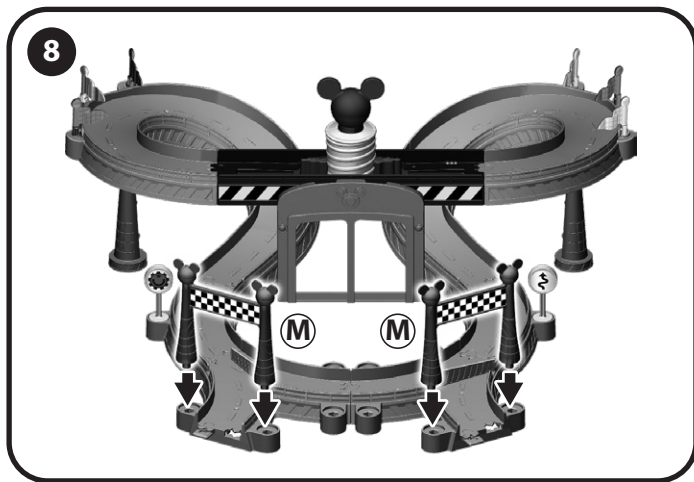
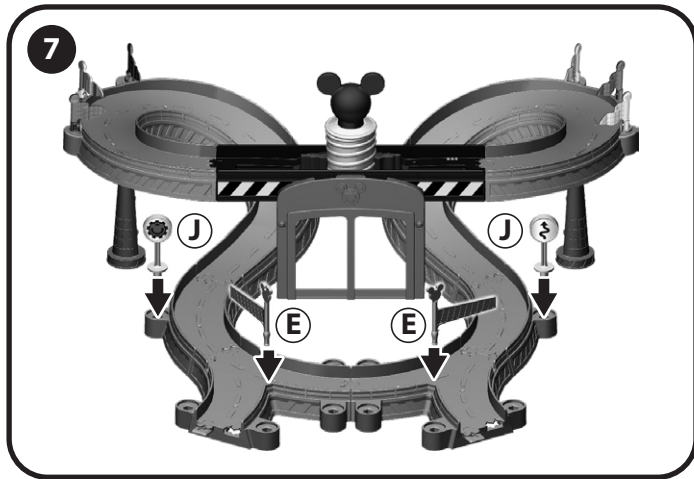
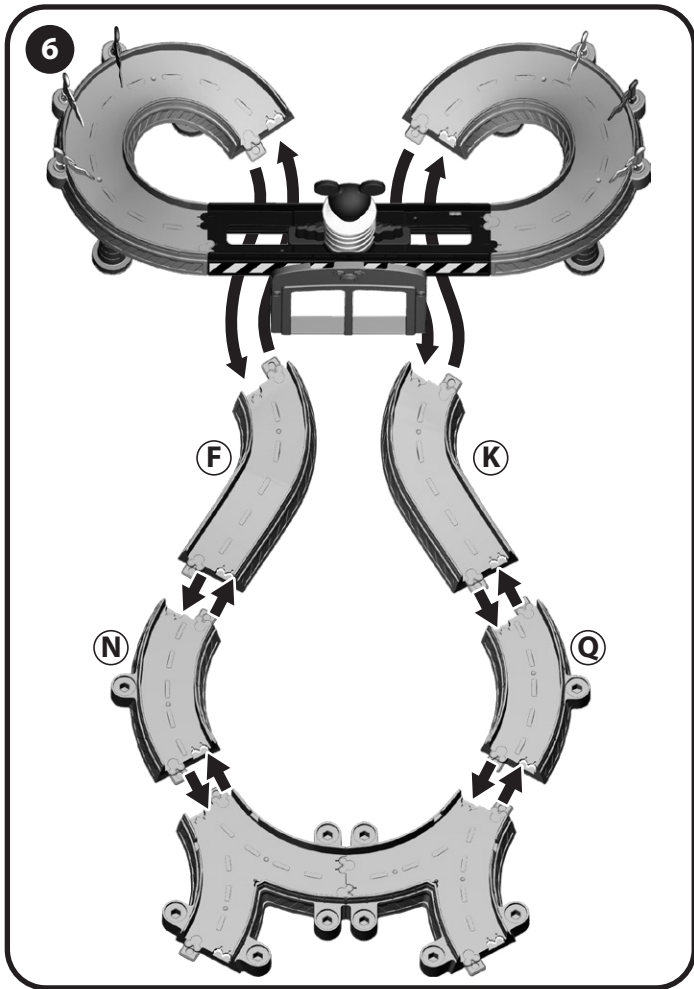


LABEL PLACEMENT



ASSEMBLY ★ **NOTE:** Assembly steps that are marked with a star are “one-time snaps”. Press firmly until each part clicks into place. Once these parts are put together, they cannot be taken apart.



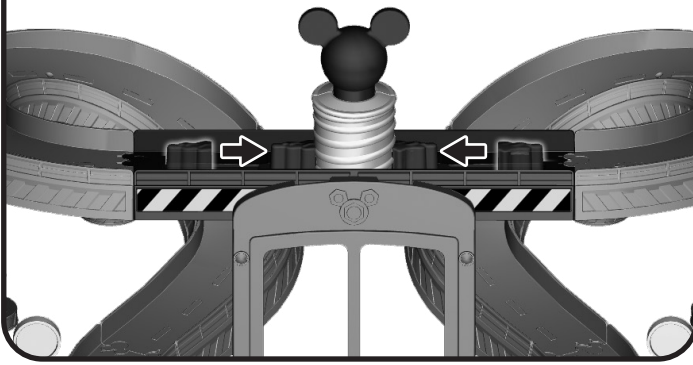


You can connect your Roadsters Racers track sets together using the Mickey-shaped track connectors. (Other track sets sold separately and subject to availability.)

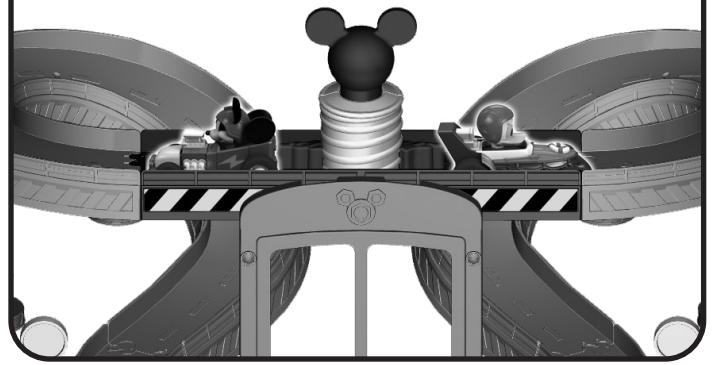
NOTE: Track set may not work with all vehicles.

HOW TO PLAY

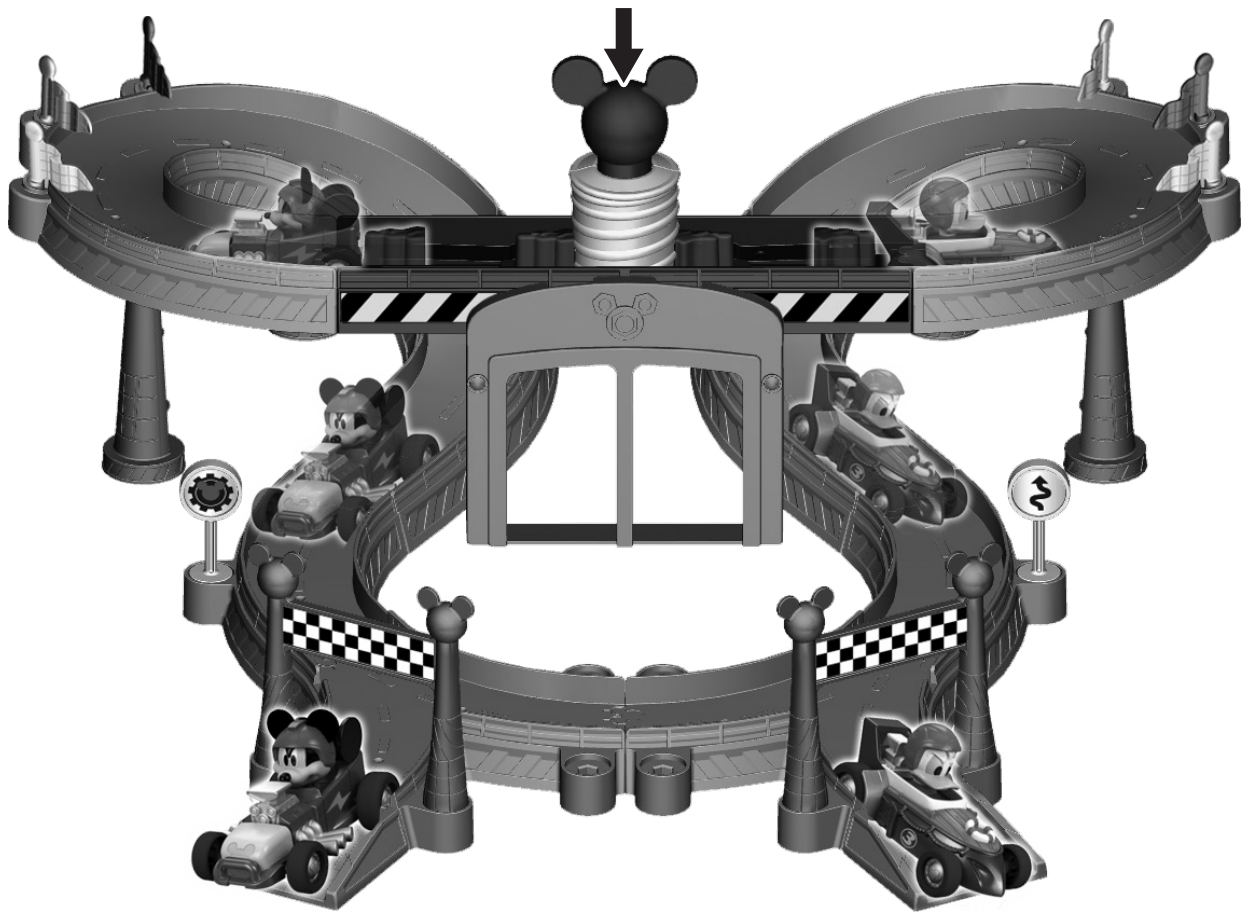
- 1** Push the two launchers into place to reset.



- 2** Place the two cars directly in front of the launchers.



- 3** Press Mickey's ears to send the two cars racing around the track!



? **CONSUMER ASSISTANCE**
1-800-432-5437 (US & Canada)
1300 135 312 (Australia)
service.fisher-price.com

Fisher-Price, Inc., 636 Girard Avenue, East Aurora, NY 14052.
Hearing-impaired consumers: 1-800-382-7470.

Outside the United States:

Canada: Mattel Canada Inc., 6155 Freemont Blvd.,
Mississauga, Ontario L5R 3W2; www.service.mattel.com.
Great Britain: Mattel UK Ltd, Vanwall Business Park,
Maidenhead SL6 4UB. Helpline: 01628 500303.
www.service.mattel.com/uk
Mattel Europa B.V., Gonder 1, 1186 MJ Amstelveen, Nederland.
Australia: Mattel Australia Pty. Ltd., 658 Church Street,
Locked Bag #870, Richmond, Victoria 3121 Australia.
New Zealand: 16-18 William Pickering Drive,
Albany 1331, Auckland.
SOUTH AFRICA: Mattel South Africa (PTY) LTD, Office 102 B,
30 Melrose Boulevard, Johannesburg 2196.

© Disney

Visit DisneyJunior.com

©2017 Mattel. All Rights Reserved.

® and ™ designate U.S. trademarks of Mattel, except as noted.

PRINTED IN CHINA.

Mattel East Asia Ltd., Room 503-09, North Tower, World Finance Centre,
Harbour City, Tsimshatsui, HK, China. Tel.: (852) 3185-6500.

FMP73-0970
1101611094-DOM-IS

FMP73
FPD23Asst

Fisher-Price®